



Awning System

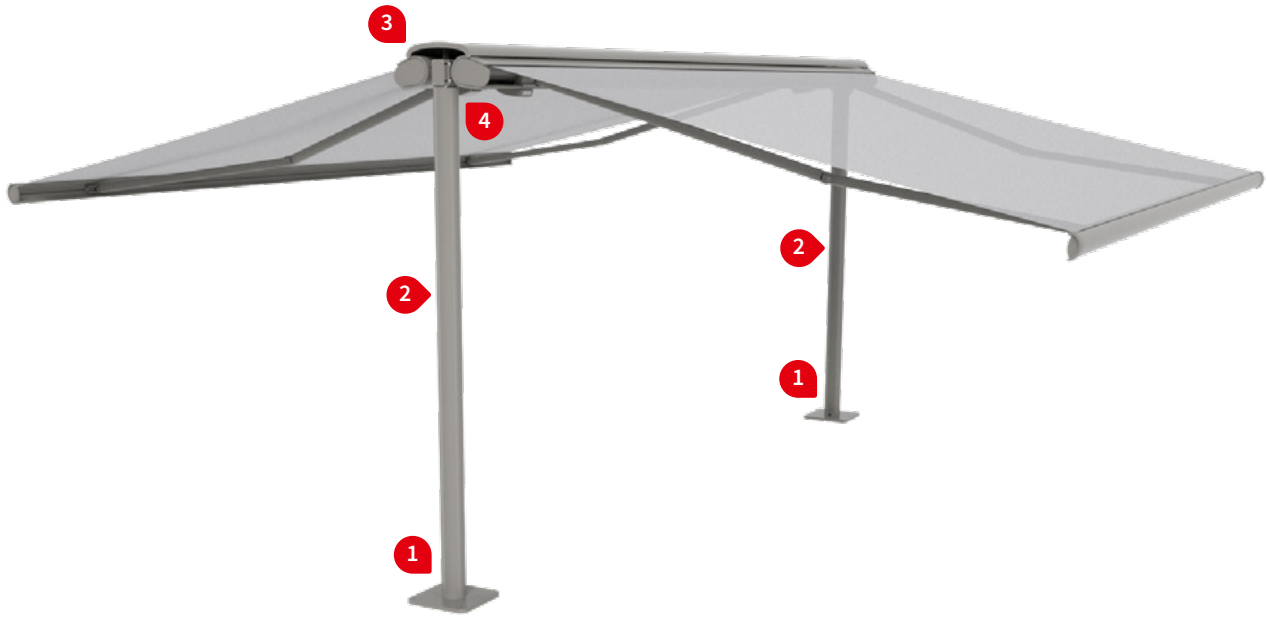
markilux syncra fix / syncra uno fix awnings with folding arms

The ideal awning frame system with the minimum of space requirements – stylish sun and wet weather protection for large areas.

01
02
03
04
05
06
07

Product characteristics

Wind resistance class 2
Beaufort 5 → 7.5–10.4 m/s → 28–37 km/h → 17–23 mph



1 symmetrical footplate, standard



1 syncra uno fix with asymmetrical footplate, post close to the wall



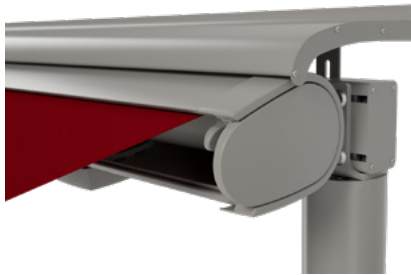
2 with round or square support posts



3 syncra fix, combination example with the markilux 5010, round post



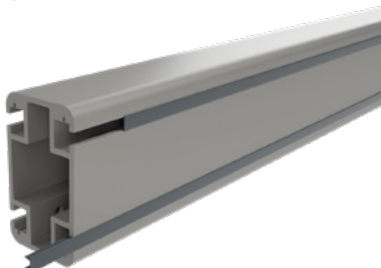
3 syncra uno fix, combination example with the markilux 6000, round post



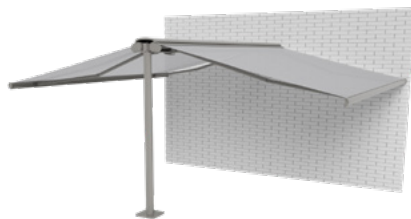
4 cabling is run through maintenance ducts



continuous bracket fixture slots with plastic fillet 1)



bracket for face fixture of the cross-beam on one side



1) optional configuration

Product characteristics

Description

- Free-standing aluminium frame system for the installation of markilux awnings on both sides (fix version) or on one side (uno fix version).

Special features

- free-standing protection against sun and rain – water drainage guaranteed if the awnings are set at a min. pitch of 14°
- the perfect solution especially for commercial, hotel and gastronomy requirements
- a post-free area under the awning
- awnings can be operated independently of one another
- support posts optionally round or square, incl. footplates which are bolted on
- posts with integrated cable ducts and maintenance cover
- aluminium frame system including top cover profile
- simple fixture of the awning frame to concrete foundations
- free-standing installation; can also be fixed to a wall on one side
- syncra uno fix enables installation of awnings close to a wall when direct fixture to the wall is not advisable
- powder coating available in seven markilux standard frame colours or in non-standard colours
- for configuration options, colours and dimensions please consult the chapter of the corresponding awning model in the sales manual

Dimensions

- maximum field width 700 cm
- support post height; standard height 320 cm, maximum height 450 cm (on request)
- posts available in intermediate heights
- a coupled system is available up to 3 fields

Awning profiles

- extruded aluminium, in façade quality, powder coated
- support posts round Ø 140 mm or square 125 × 125 mm
- post base plate square 400 × 400 mm, galvanised steel
- rectangular cross-beam, height 140 mm × depth 80 mm

Optional accessories

- markilux infrared heater
- markilux spotlight LED
- attractive footplate covers, made of die-cast aluminium, powder-coated
- a wide range of brackets for the installation of folding-arm awnings, vertical and side blinds, conservatory and pergola awnings as well as heating and lighting accessories
- adapter set for the fixture of the post to the Krinner screw-in foundation
- plastic fillet available (in white RAL 9016 or anthracite ≈ RAL 7016) for the bracket slots in the cross-beam

markilux planning service

In the case of larger construction projects, markilux can offer comprehensive planning support on request. Based on the dimensions and photographs supplied, on request we are able to offer the following services:

- a realistic photographic representation of the shading system in colour, optionally also as a 3D visualisation
- suggestions for special solutions
- technical drawings depicting possible solutions; they can also be used to accompany building permit submissions
- further consultation services up to final issue of order

A realistic photographic collage and a detailed technical presentation improve the quality of on-site consultation and the chance of success!

Planning permission

N.B! Please note that shading systems may be subject to compulsory planning permission regulations depending on the region!

01 **Frame colours**

02 markilux frame colours without surcharge

03 traffic white RAL 9016



metallic aluminium RAL 9006



grey brown, similar to RAL 8019

04 off-white textured finish, 5233 ¹⁾stone grey metallic, 5215 ¹⁾anthracite metallic, 5204 ¹⁾05 Havana brown textured finish, 5229 ¹⁾**Non-standard powder-coated finish**

Bespoke frame colours at a surcharge – matt, metallic and pearl finishes as well as other colour ranges (DB, Tiger etc.) on request. All frame colours are available at a surcharge with enhanced corrosion protection.

1) textured finish

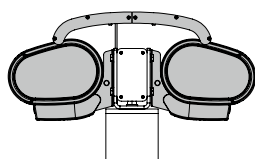
Colours may differ slightly from those depicted in both hue and finish.

Overview of the awning combinations available

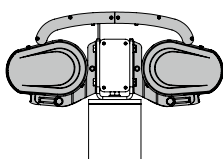
01
02
03
04
05
06
07

syncra fix with two folding-arm awnings

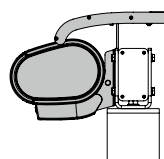
markilux syncra uno fix with folding arm awning



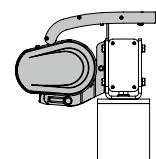
markilux 6000



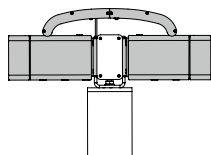
markilux 5010



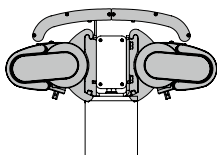
markilux 6000



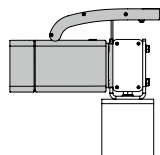
markilux 5010



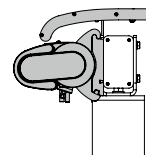
markilux 970



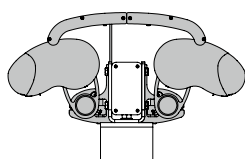
markilux 990



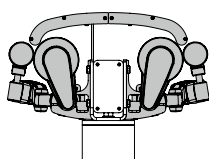
markilux 970



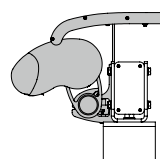
markilux 990



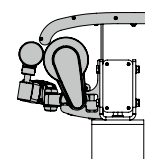
markilux 1650 / 1600 /
1600 stretch



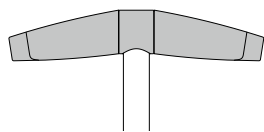
markilux 1710 /
1710 stretch



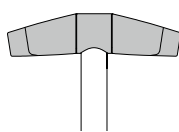
markilux 1650 / 1600 /
1600 stretch



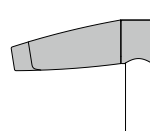
markilux 1710 /
1710 stretch



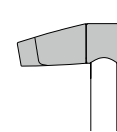
markilux
MX-1



markilux
MX-1 compact



markilux
MX-1



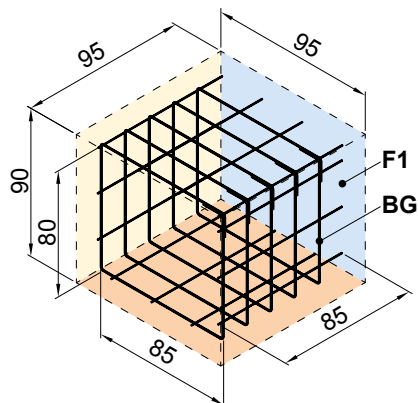
markilux
MX-1 compact

Concrete foundations

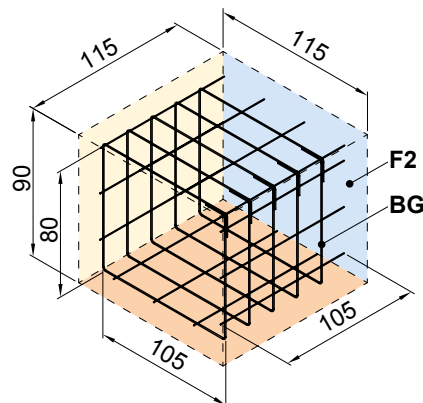
To be supplied on site:

Concrete foundations with a compressive strength complying with C25/30 (previously B25) with a reinforcement cage made of rebar matting Q188 for the outermost posts version F1 and the central posts version F2.

F1



F2



The footplates are to be fitted to the concrete footings F1 and F2

using Fischer marine-grade stainless steel anchor bolts FAZ II 16/50 and washers certified to DIN 9021 (or equivalent)

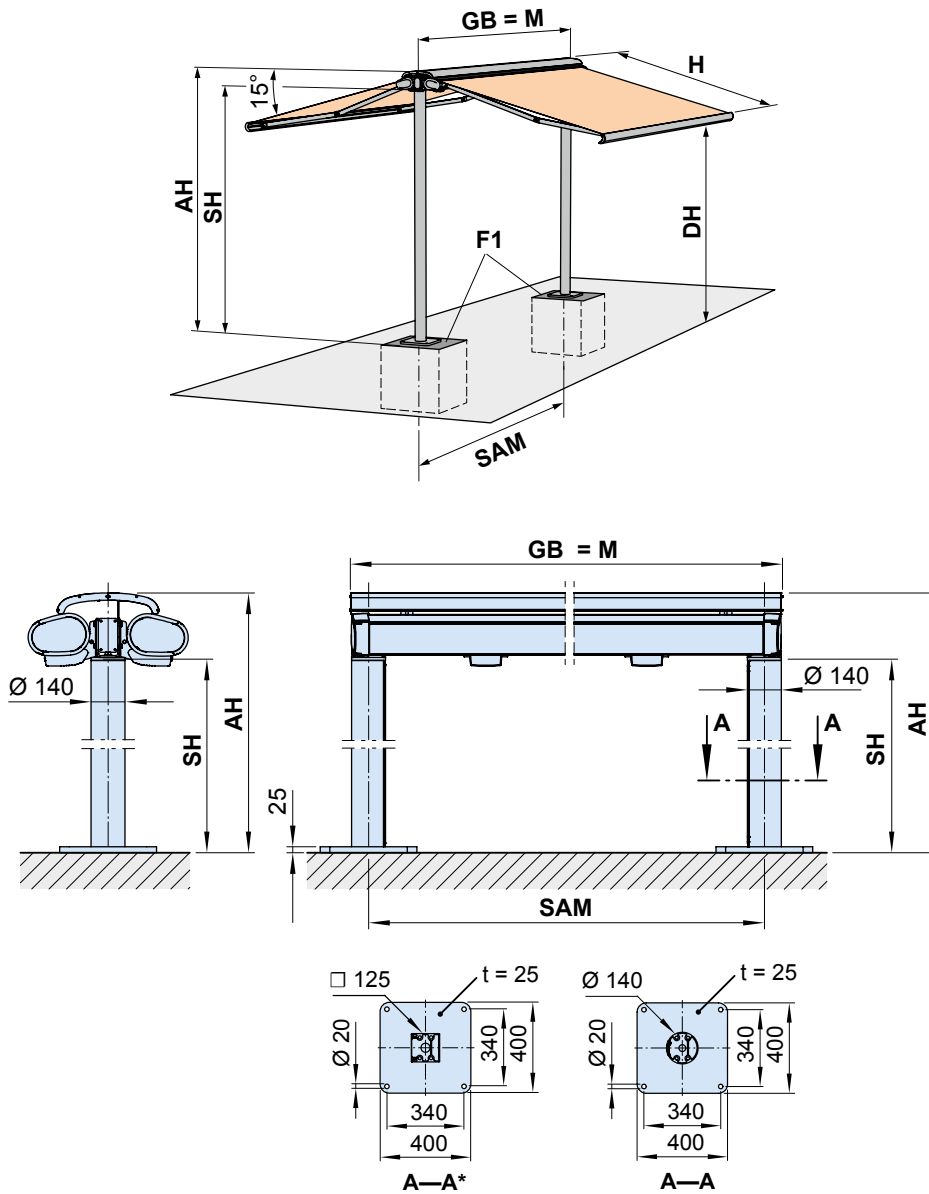
Please take into account the bracket fixture range of each individual awning type when adjusting the post separation on site. The support posts of the syncra frame system cannot be fixed in this area. The post separation, centre to centre, can be moved inwards by up to 15% of the awning width: minimum SAM = M – 15%

dimensions in cm

01
02
03
04
05
06
07

Overview of dimensions

syncra (1 field)



	AH	SAM	SAM *	DH				
markilux 6000	3400			2930	2790	2660	2520	2390
markilux 5010	3420	M - 140	M - 125	2920	2780	2650	2510	2380
markilux 970	3430			2630	2530	2430	—	—
markilux 990	3420	M - 440	M - 425	2920	2780	2650	—	—
markilux 1710 / 1710 stretch	3480			2970	2830	2700	2560	—
markilux 1600 / 1600 stretch / 1650	3480	M - 140	M - 125	2970	2830	2700	2560	2430
				2000	2500	3000	3500	4000
				H				

- * = dimensions for a square post
- AH** = unit height (depends on the awning model)
- BG** = armour matting basket
- DH** = headroom (depends on the awning model) dimensions rounded)
- F1** = concrete foundation – please view section “Concrete foundations”
- GB** = overall width of the unit = awning width = order width

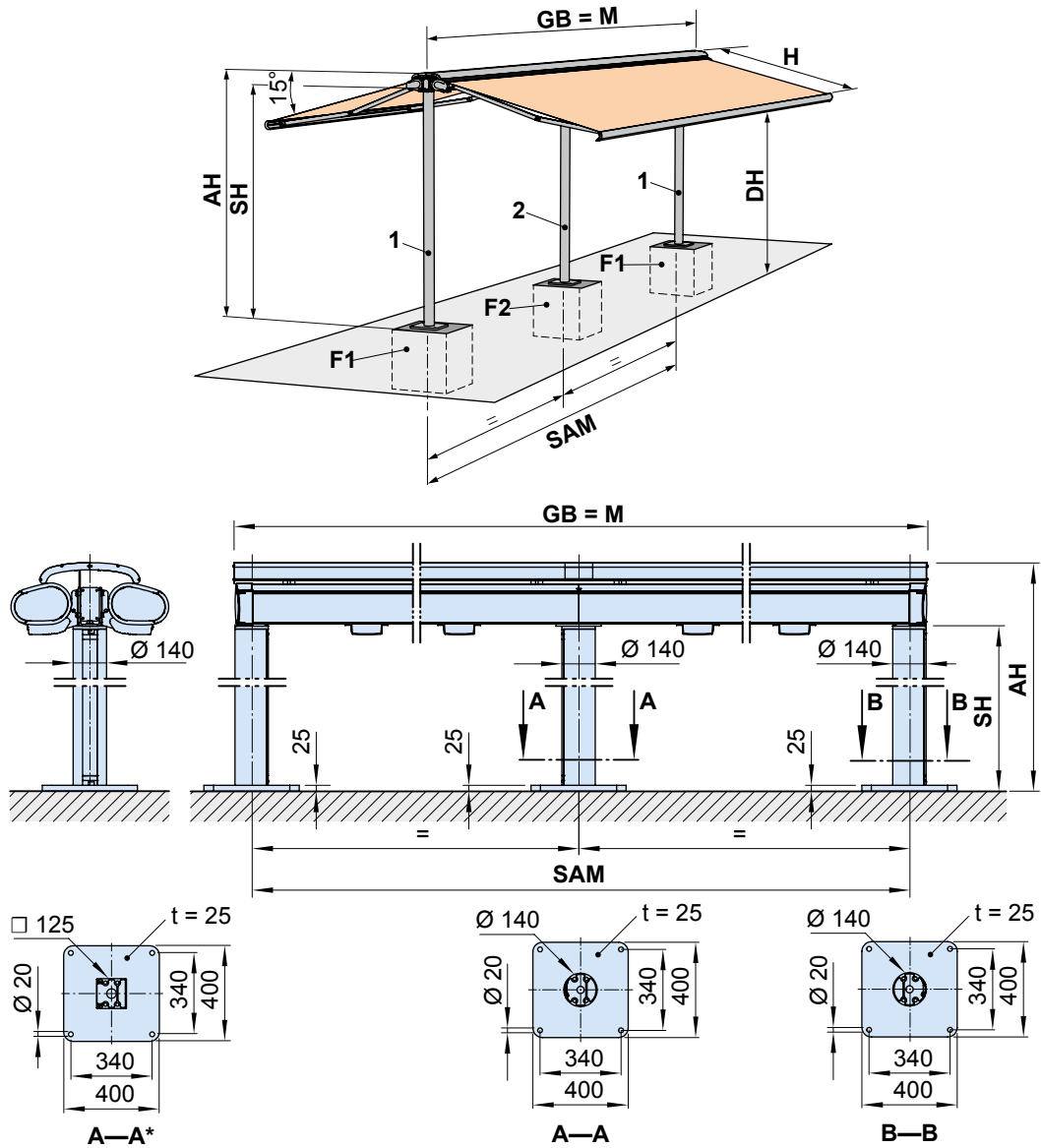
- H** = projection (depends on the awning model)
- M** = order dimension = awning width
- t** = thickness of the base plate
- SAM** = post separation, centre to centre (depends on the awning model)
- SH** = post height = 3200 mm

dimensions in mm

Overview of dimensions

syncra fix, coupled unit 2 fields (max. 3 fields)

01
02
03
04
05
06
07



	AH	SAM	SAM*	DH				
markilux 6000	3400			2930	2790	2660	2520	2390
markilux 5010	3420	M - 140	M - 125	2920	2780	2650	2510	2380
markilux 1600	3480			2970	2830	2700	2560	2430
				2000	2500	3000	3500	4000
				H				

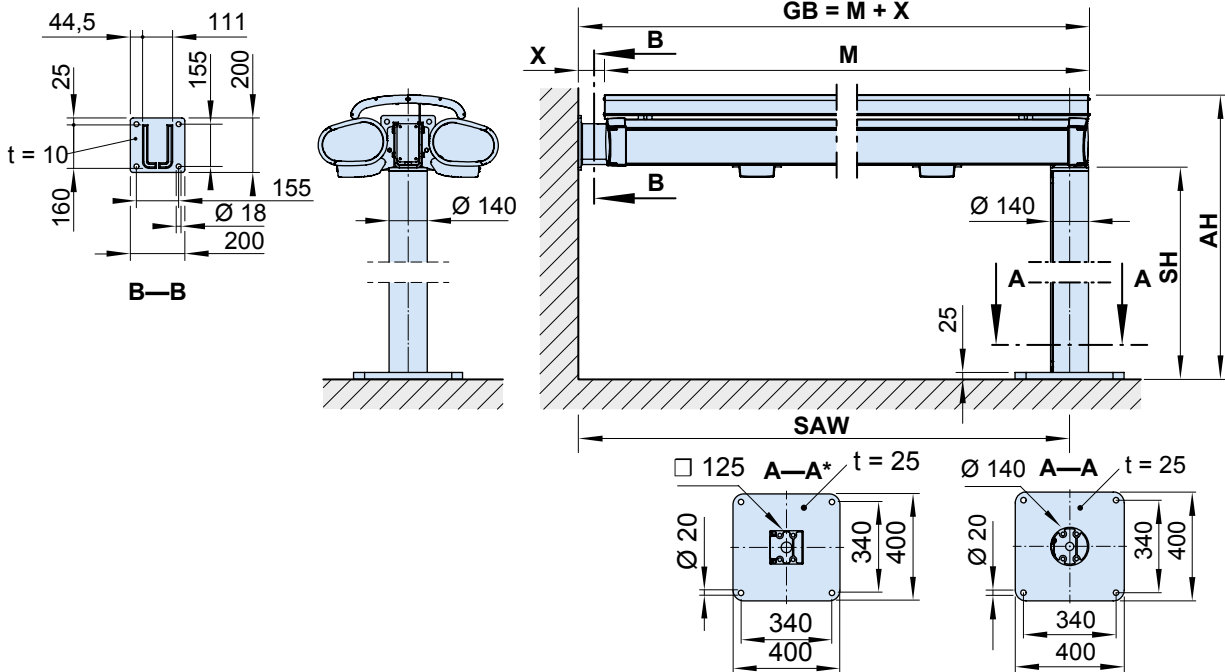
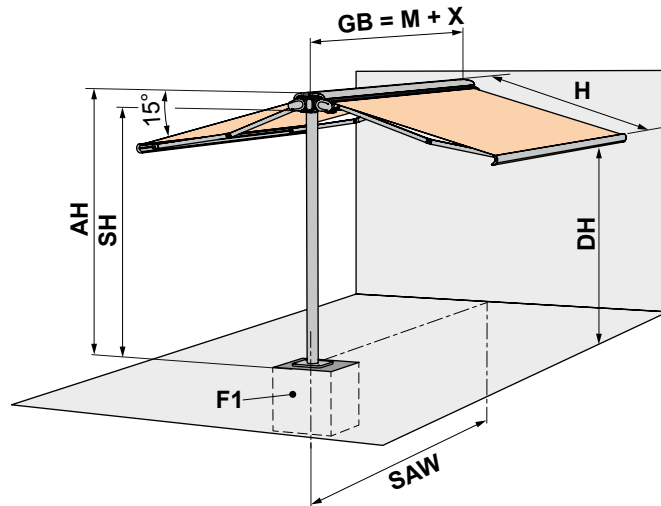
- * = dimensions for a square post
- 1 = outer post
- 2 = central post
- AH = unit height (depends on the awning model)
- BG = armour matting basket
- DH = headroom (depends on the awning model) dimensions rounded
- F1/F2 = concrete foundation – please view section “Concrete foundations”

- GB = overall width of the unit = awning width = order width
- H = projection (depends on the awning model)
- M = order dimension = awning width
- t = thickness of the base plate
- SAM = post separation, centre to centre (depends on the awning model)
- SH = post height = 3200 mm

dimensions in mm

Overview of dimensions

markilux syncra fix 1 field adjoining a wall



	AH	SAW	SAW *	X	DH				
markilux 6000	3400	GB - 70	GB - 62,5	80	2930	2790	2660	2520	2390
markilux 5010	3420				2920	2780	2650	2510	2380
markilux 970	3430	GB - 220	GB - 212,5	120	2630	2530	2430	—	—
markilux 990	3420				2920	2780	2650	—	—
markilux 1600 / 1600 stretch / 1650	3480	GB - 70	GB - 62,5	80	2970	2830	2700	2560	2430
markilux 1710 / 1710 stretch					2000	2500	3000	3500	4000
					H				

- * = dimensions for a square post
- AH** = unit height (depends on the awning model)
- BG** = armour matting basket
- DH** = headroom (depends on the awning model) dimensions rounded)
- F1/F2** = concrete foundation – please view section “Concrete foundations”
- GB** = overall width of the syncra unit. (depends on the awning model)

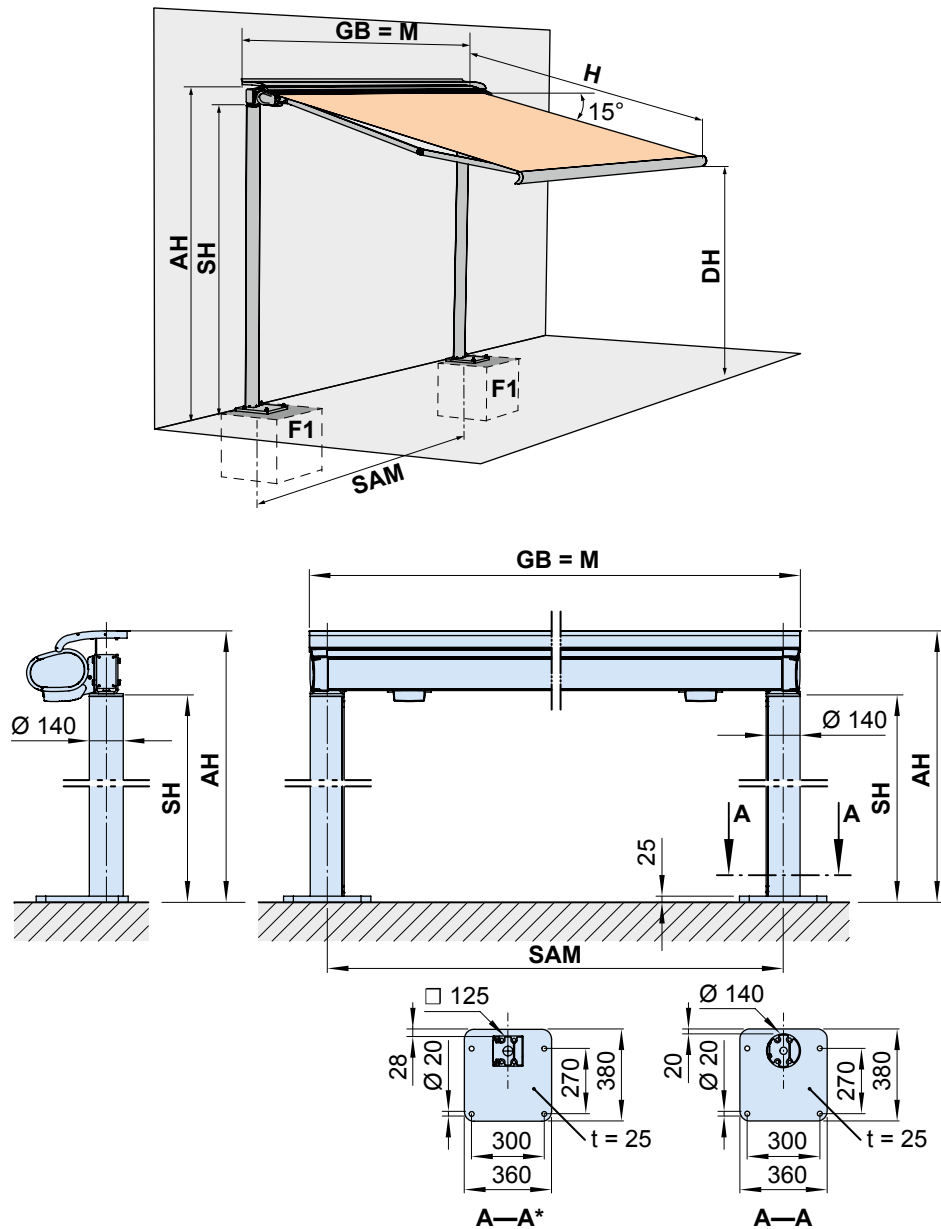
- H** = projection (depends on the awning model)
- M** = order dimension = awning width
- t** = thickness of the base plate
- SAW** = distance from wall to support post centre.
- SH** = post height = 3200 mm
- X** = distance from the outermost end of the awning to the edge of the substrate. (depends on the awning model)

dimensions in mm

Overview of dimensions

syncra uno fix, 1 field

01
02
03
04
05
06
07



	AH	SAM	SAM*	DH				
markilux 6000	3400	M - 140	M - 125	2930	2790	2660	2520	2390
markilux 5010	3420			2920	2780	2650	2510	2380
markilux 970	3430	M - 440	M - 425	2630	2530	2430	—	—
markilux 990	3420			2920	2780	2650	—	—
markilux 1600 / 1600 stretch / 1650	3480	M - 140	M - 125	2970	2830	2700	2560	2430
markilux 1710 / 1710 stretch				—	—	—	—	—
				2000	2500	3000	3500	4000
				H				

- * = dimensions for a square post
- AH = unit height (depends on the awning model)
- BG = armour matting basket
- DH = headroom (depends on the awning model) dimensions rounded
- F1 = concrete foundation – please view section “Concrete foundations”
- GB = overall width of the unit = awning width = order width

- H = projection (depends on the awning model)
- M = order dimension = awning width
- t = thickness of the base plate
- SAM = post separation, centre to centre (depends on the awning model)
- SH = post height = 3200 mm

dimensions in mm

01 **Overview of dimensions**

02 syncra uno fix, coupled unit 2 fields

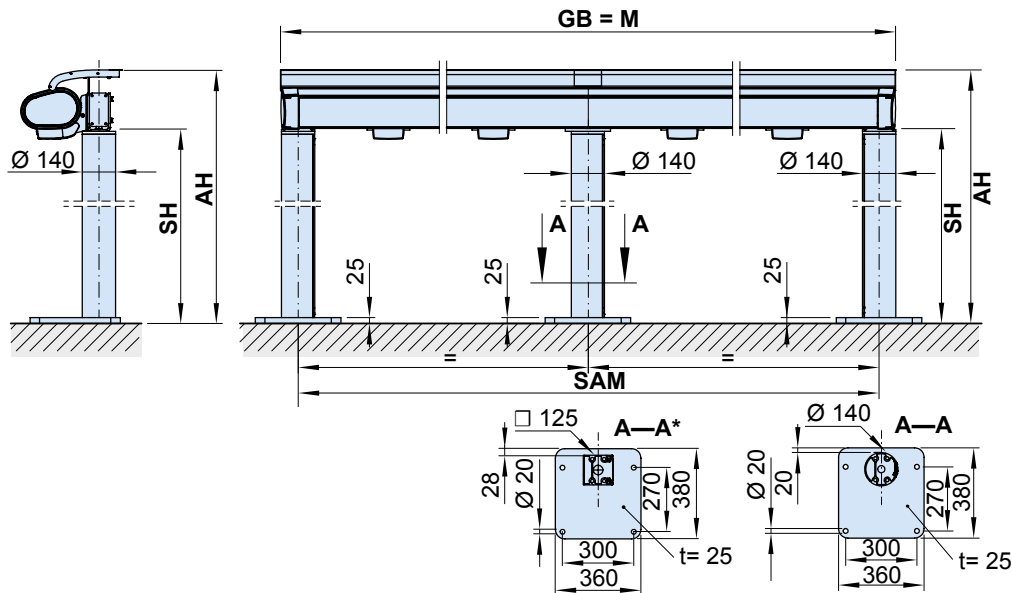
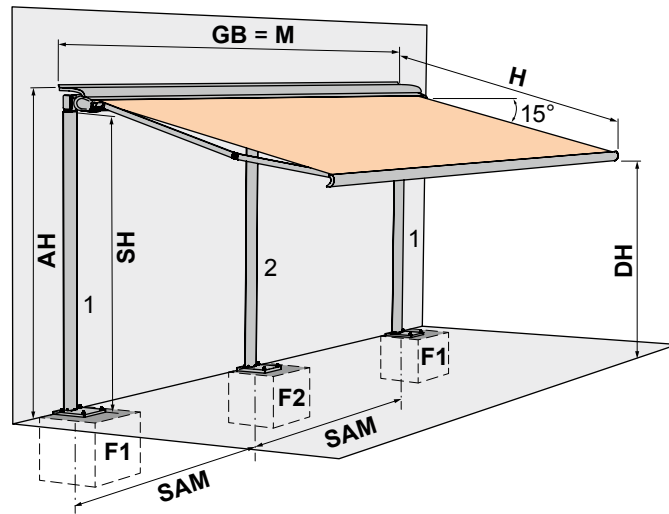
03

04

05

06

07



	AH	SAM	SAM*	DH				
markilux 6000	3400	M - 140	M - 125	2930	2790	2660	2520	2390
markilux 5010	3420			2920	2780	2650	2510	2380
markilux 1710	3480			2970	2830	2700	2560	-
markilux 1600				2430				
				2000	2500	3000	3500	4000
				H				

* = dimensions for a square post

1 = outer post

2 = central post

AH = unit height (depends on the awning model)

BG = armour matting basket

DH = headroom (depends on the awning model) dimensions rounded

F1/F2 = concrete foundation – please view section “Concrete foundations”

GB = overall width of the unit = awning width = order width

H = projection (depends on the awning model)

M = order dimension = awning width

t = thickness of the base plate

SAM = post separation, centre to centre (depends on the awning model)

SH = post height = 3200 mm

dimensions in mm