



Awning System

## **markilux pergola compact**

The graceful awning system that can be used as sun and wet weather protection for the patio – highly modern design with an appealing, square cassette.



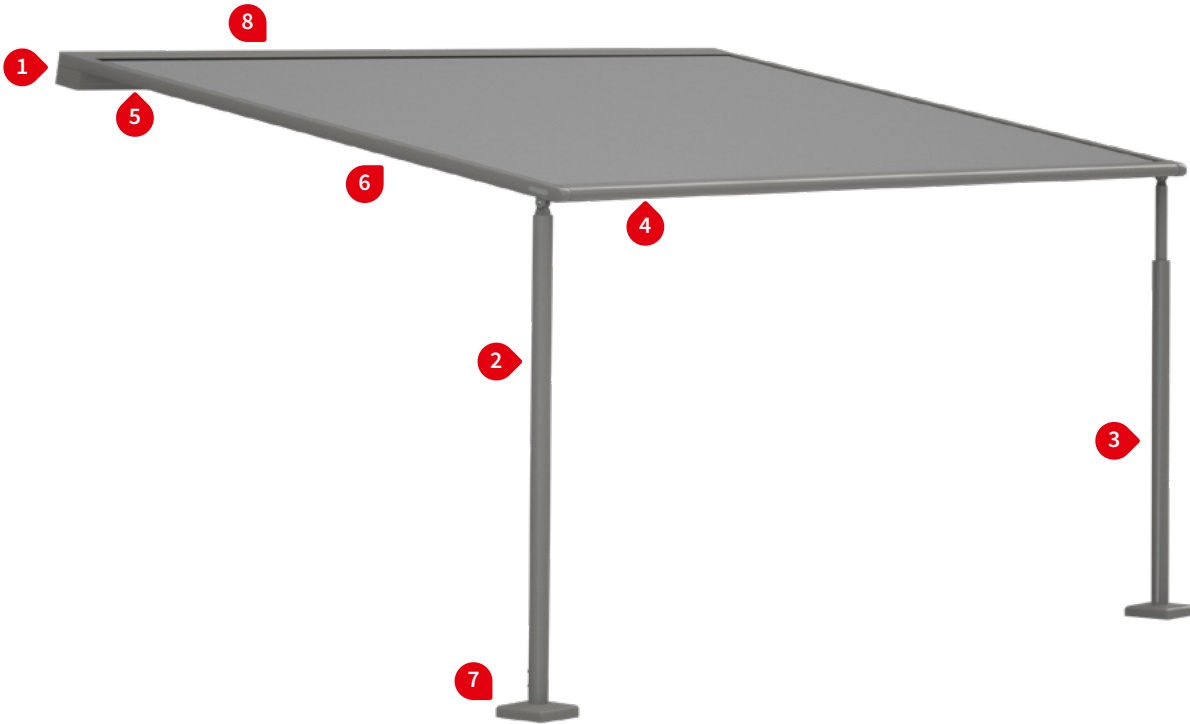
[markilux.com](http://markilux.com)

**markilux**  
safe timeless beautiful

Product characteristics

Wind resistance class 3  
Beaufort 6 → 10.5–13.4 m/s | 38–48 km/h | 24–30 mph

01  
02  
03  
04  
05



1 Face fixture



2 Available with square or round support posts



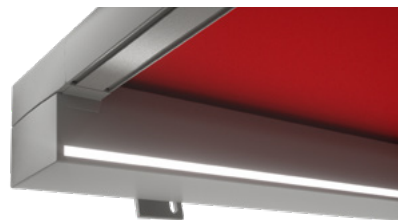
3 Adjustable post <sup>1)</sup> manual or motor operation



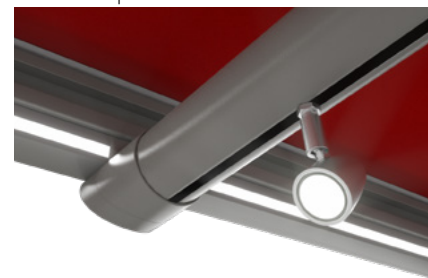
4 Shadepilus / drop valance <sup>1)</sup>, manual operation, during extension



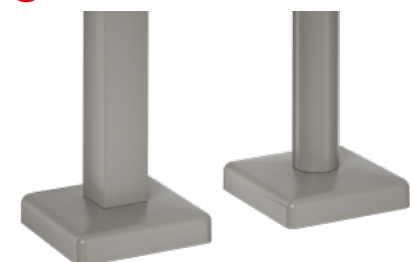
5 LED-Line recessed in the cassette <sup>1)</sup>



6 The combination of LED-Line <sup>1)</sup> and LED-Spots <sup>1)</sup>



7 Standard footplate covers



7 Post with stabilisation box <sup>1)</sup>



8 Wall sealing profile <sup>1)</sup>



1) optional configuration

## Product characteristics

### Description

- This awning system supported by slender posts at the front and with lateral guide tracks provides generous shade with an extension of up to 4 metres and covers an area of up to 18 m<sup>2</sup> as a single unit. Thanks to the tracfix cover guidance system, the sophisticated tensioning technology and its sturdy construction, the system can be used up to Beaufort 6 (wind resistance class 3).

### Special features

- fully encompassing cassette that protects the cover perfectly
- tried and tested tensioning system with drive belts and integrated gas pistons – delivers optimum cover tension – in any phase of extension
- as standard with tracfix, the continuous lateral cover guidance system that leaves no gap between the cover and guide tracks – gives improved wind stability and a cleaner appearance
- various lighting combinations available: LED-Line in the guide tracks, LED-Line in the cassette or LED-Spots attached to the cassette, LED-Line in the cover support tube or LED-Spots fitted to the cover support tube – individually configurable lighting options which provide a pleasant atmosphere in the evening
- option of a shadeplus / drop valance with a height of 210 cm (vuscreen Alu only 150 cm) – protection against low-lying sun, wind and inquisitive glances integrated into the front profile, with manual operation
- an optional telescopic post, manual or motor operation, ensures optimised water drainage during rain, even at a low minimum pitch of 8° (depending on the extension)
- support posts optionally round or square, including footplates or stabilisation boxes for flexible installation
- can be combined perfectly with the awning systems markilux construct, markilux syncra, vertical blinds markilux 776 tracfix, markilux 876 tracfix, side screen markilux 790

### Dimensions

- fixture width 72–450 cm, extension max. 400 cm
- maximum overall sizes, width × extension: 455.4 × 400 cm
- intermediate sizes are available

### Roller tube and lateral bearings

- round roller tube Ø 85 mm with keyway, galvanised steel – excellent stability, ensures near perfect cover performance even at the largest widths
- the roller tube bearing is made of stainless steel

### Awning profiles

- extruded aluminium, in façade quality, powder coated
- cassette profile in two pieces, angular, height × depth 125 mm × 125 mm
- guide tracks angular, rounded edges, width × depth 52 mm × 52 mm
- front profile rounded at the front, depth × height 110 mm × 52 mm, shadeplus profile depth × height 139 mm × 66 mm

### Side caps

- the cassette end caps are made of die-cast aluminium, in two parts, powder coated
- the guide track end caps are made of high-quality plastic, powder coated

### Fixture brackets and support posts

- extruded aluminium, powder coated
- cassette brackets: face fixture, top fixture, eaves fixture
- posts square 70 × 70 mm or round Ø 70 mm, standard height 250 cm, intermediate heights up to a maximum of 300 cm are available, fixed posts with footplate min. 36 cm and with a stabilisation box min. 60 cm in height, telescopic posts with footplate min. 157 cm and with stabilisation box min. 198 cm in height
- screw-on footplate 200 × 200 mm
- footplate cover 212 × 212 mm in one piece, height 48 mm, is made of die-cast aluminium, rounded corners
- a version of the support posts with optional stabilisation box 600 × 600 mm, height 525 mm, for versatile installation is available

**N.B!** For additional information and configuration options, please view the chapter “General Information” and “markilux Optional Accessories” in the volume “Vertical Blinds | Glass roof Awnings”.

01 **Frame colours**

markilux awning colours without surcharge

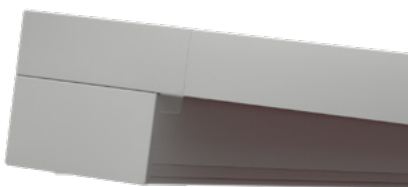
02

traffic white, RAL 9016

metallic aluminium, RAL 9006

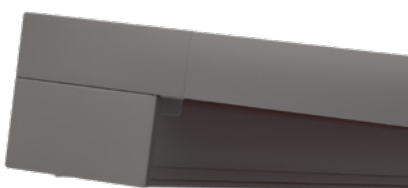
grey brown, similar to RAL 8019

03



04

05

off-white textured finish, 5233 <sup>1)</sup>stone grey metallic, 5215 <sup>1)</sup>anthracite metallic, 5204 <sup>1)</sup>Havana brown textured finish, 5229 <sup>1)</sup>**Non-standard powder-coated finish**

Bespoke frame colours incur a surcharge – matt, metallic, finely textured and pearl finishes as well as other colour ranges (DB, Tiger etc.) on request. All frame colours are available at a surcharge with enhanced corrosion protection.

Colours may differ slightly from those depicted in both hue and finish.

**1)** textured finish

# Dimensions and configuration options

Single unit

		Awning fixture width						Minimum fixture width	
		200 <sup>1)</sup>	250	300	350	400	450	Motor	Radio-controlled motor
<b>Order dimensions</b>		72 200	201 250	251 300	301 350	351 400	401 450		
<b>Awning width</b>		+ 5.4							
<b>H</b>	150							72	82
	200								
	250								
	300							107 <sup>2)</sup>	107 <sup>2)</sup>
	350								
	400								

dimensions in cm

- 1) = shadeplus / drop valance not available
- 2) = from an extension of 281 cm
- H = order dimension = extension

The minimum pitch that will ensure water drainage	extension ≤ 250 cm	extension ≥ 251 ≤ 350 cm	extension ≥ 351 cm
system with fixed posts, without shadeplus / drop valance	15°	15°	15°
system with fixed posts, with shadeplus / drop valance	18°	18°	18°
system with telescopic post, with / without shadeplus / drop valance	8°	9°	10°

Operation	standard	optional
manual operation	—	—
hard-wired motor	✓	—
silentec motor (optionally with an external io / RTS receiver)	—	—
Radio-controlled motor io, 868 MHz	—	✓
Radio-controlled motor RTS, 433 MHz	—	✓
Radio-controlled motor RTS, 433 MHz with manual override	—	—

Optional accessories
with telescopic post, manual operation
posts with stabilisation boxes
manual drop valance
infrared heater 2500 W
infrared heater 2500 W with integrated radio-controlled receiver 868 MHz io
wall sealing profile
LED-Line recessed in the cassette <sup>1)</sup>
LED-Spots in the cassette <sup>1)</sup>
LED-Line at the guide rails
LED-Line in the cover support tube <sup>2)</sup>
LED spotlights suspended from the cover support tube <sup>2)</sup>
vertical cassette blind – markilux 776 tracfix / 876 tracfix
automatic controls (light, wind, rain)

Coupled Awning
not available

Shadeplus <sup>1)</sup>	Standard	Optional
Height depends on fabric pattern, see table “Shadeplus cover”		
Awning fixture width minimum 201 cm – maximum 450 cm		
Crank handle	✓	—
Hard-wired motor	—	—
Radio-controlled motor io, 868MHz	—	—
Radio-controlled motor RTS, 433MHz	—	—

1) not available in combination with an adjustable post with motor drive

**N.B!** Important background information can be found in the chapter “Optional Accessories”.

- 1) options cannot be combined.
- 2) options cannot be combined.

## Dimensions and configuration options

Awning cover	fabric range no.	standard	optional	awning fixture width	extension	cover manuf.
sunvas	301.. / 309..-315..	✓	—	≤ 450	≤ 400	LN
sunsilk	324.. / 325.. / 328.. / 369..	✓	—	≤ 450	≤ 400	LN
perfortex	331.. / 332..	✓	—	≤ 450	≤ 400	LN
sunvas (250 cm)	31008, -09, -13, -16, -18, -25, 27, -28, -31, -36, -37, -57, -58, 31109, -14, -17	✓	—	≤ 250		N
				≤ 450	≤ 243	N
				≤ 450	≥ 244	QN
transolair (250 cm)	338..	—	✓	≤ 450	≤ 243	N
				≤ 450	≥ 244 ≤ 400	QN
transolair (120 cm)	339..	✓	—	≥ 401 ≤ 450	≤ 400	LN
				≤ 450	≤ 400	LN
sunvas (320 cm)	31008, -09	✓	—	≤ 320		N
				≤ 450	≤ 313	N
				≤ 450	≥ 314	QN
vuscreen Alu	317..	—	✓	≤ 450	≥ 244 ≤ 400	QN
				> 450	≤ 250	N
				≤ 185	≤ 300	N
Soltis Perform 92	92-20..	—	✓	≤ 450	≤ 194	N
				≥ 186 ≤ 450	≥ 195 ≤ 300	QN
perla	370..	—	✓	≤ 450	≤ 400	LN
perla FR	374.. / 375..	—	—			

## Shadeplus / drop valance with magnetic, articulated crank handle

Shadeplus / drop valance cover <sup>1)</sup>	fabric range no.	standard	optional	awning fixture width	height	cover manuf.
sunvas	309.. / 310.. / 311.. /	✓	—	≤ 450	210	QN
sunsilk	324.. / 325.. /	✓	—	≤ 450	210	QN
transolair	338..	—	✓	≤ 450	210	N
				≤ 450	210	QN
vuscreen Alu	317..	—	✓	≤ 450	150	N
Soltis Perform 92	92-20..	—	✓	≤ 450	210	QN
glass fibre screen	272..	—	—			
perfortex	331.. / 332..	—	—			
perla	370..	—	—			
perla FR	374.. / 375..	—	—			

**N.B!** Covers made from fabrics 120 cm wide will have a horizontal joint! Textured and flecked fabrics will take on a slightly different appearance from that of the awning cover as a result.

1) = the width of the shadeplus / drop valance cover is narrower than that of the awning

N = seamless

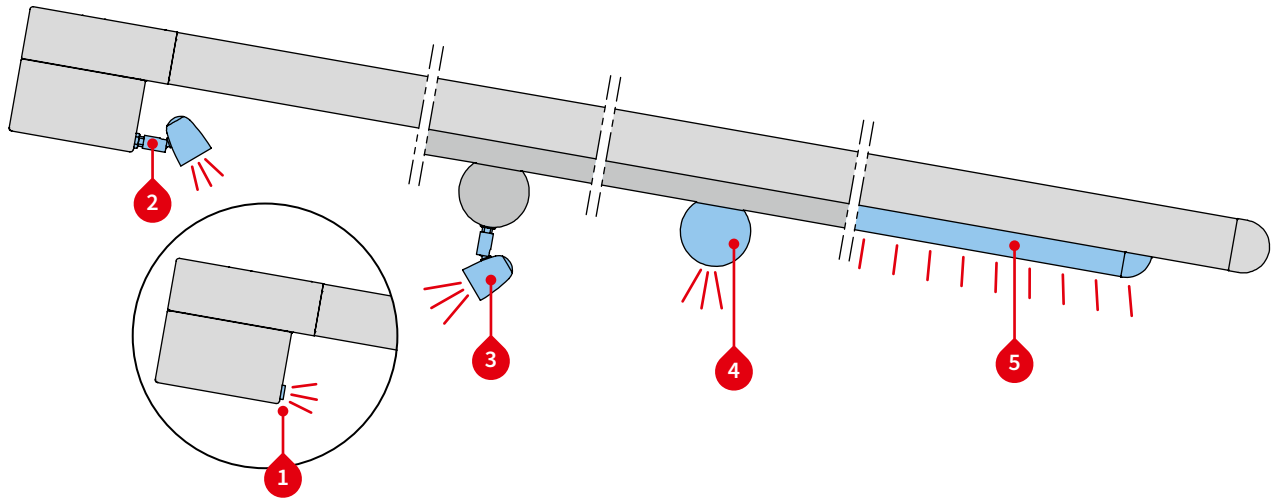
LN = vertical seam(s), panel width usually 120 cm

QN = horizontal seam(s)

dimensions in cm

## Lighting options

01  
02  
**03**  
04  
05



### Lighting options

- 1) LED-Line recessed in the cassette <sup>1)</sup>
- 2) LED-Spots attached to the cassette <sup>1)</sup>
- 3) LED-Spots suspended from the cover support tube <sup>2)</sup>
- 4) LED-Line in the cover support tube <sup>2)</sup>
- 5) LED-Line under the guide rails

### Controls

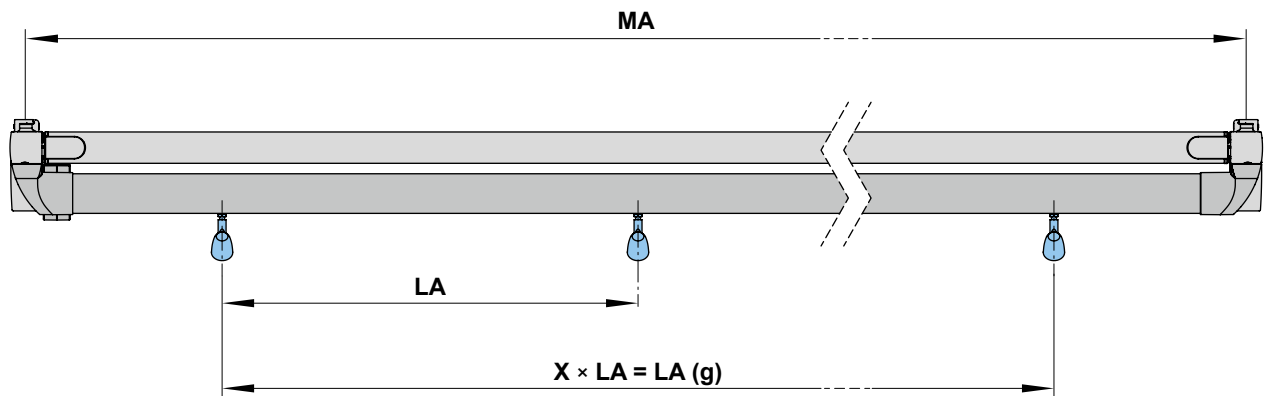
	Standard	Optional
on/off switch	—	✓
radio-controlled dimmer io, 868 MHz	✓	—
radio-controlled dimmer RTS, 433 MHz	—	✓

For combination possibilities please view section “Dimension overview lighting options”

- 1) options cannot be combined.
- 2) options cannot be combined.

## Distribution of the LED spotlights

2) and 3) attached to the cassette and to the cover support tube



awning fixture width	no. of spotlights	LA	LA (g)
150–250	3	65	130
251–300	3	98	196
301–350	3	98	196
351–400	4	98	294
401–450	4	98	294

LA (g) = distance between the spotlights (total)

MA = order dimension = awning fixture width = fixture width

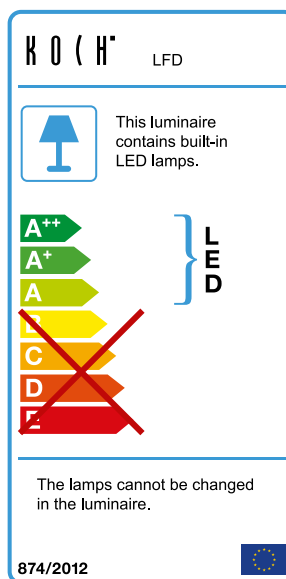
dimensions in cm



01 **1** and **4** and **5** LED-Line recessed in the cassette and fitted to the guide tracks

**Technical specification**

Operating voltage	230 V, 50 Hz
power output per metre	10 W
Light source	LED (12 V)
number of LEDs	120 units / m
Number of transformers	1 unit
Light temperature	warm white
IP protection class	IP 44
Service life	approx. 15.000 h



03

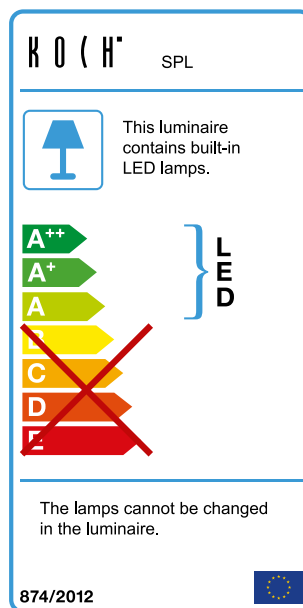
04

05

**2** and **3** LED-Spots attached to the cassette and to the cover support tube

**Technical specification**

Operating voltage	230 V, 50 Hz
Power output of one LED spotlight	5 W
Light source	LED (12 V)
Number of transformers	1 unit
Light temperature	warm white
IP protection class	IP 44
Service life	approx. 20.000 h

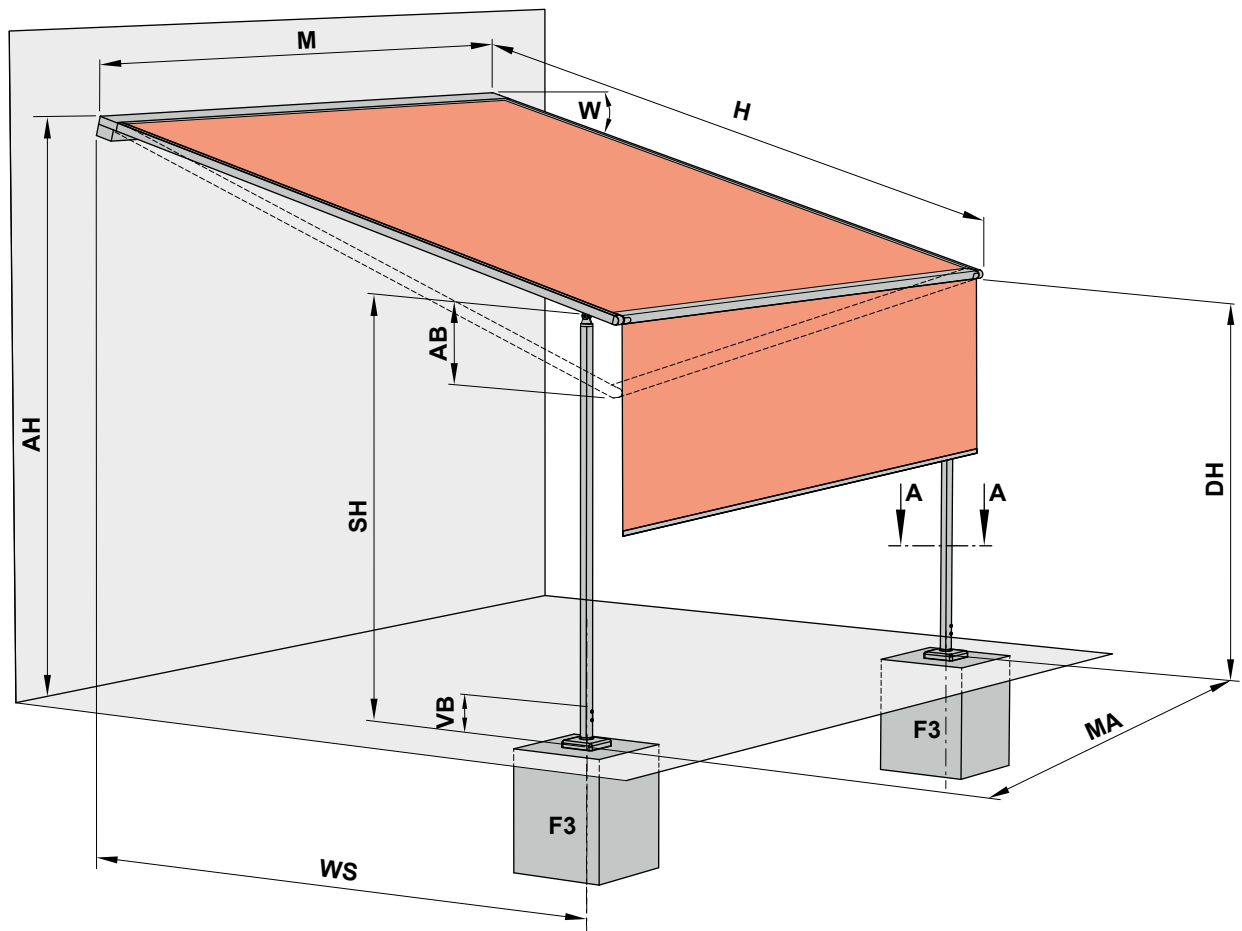




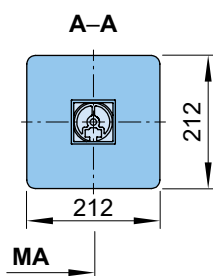
# Overview of dimensions

Support post fixture to a concrete footing

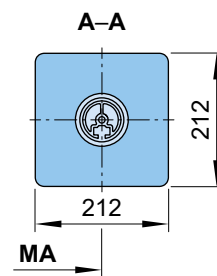
01  
02  
**03**  
04  
05



Square posts



Round posts



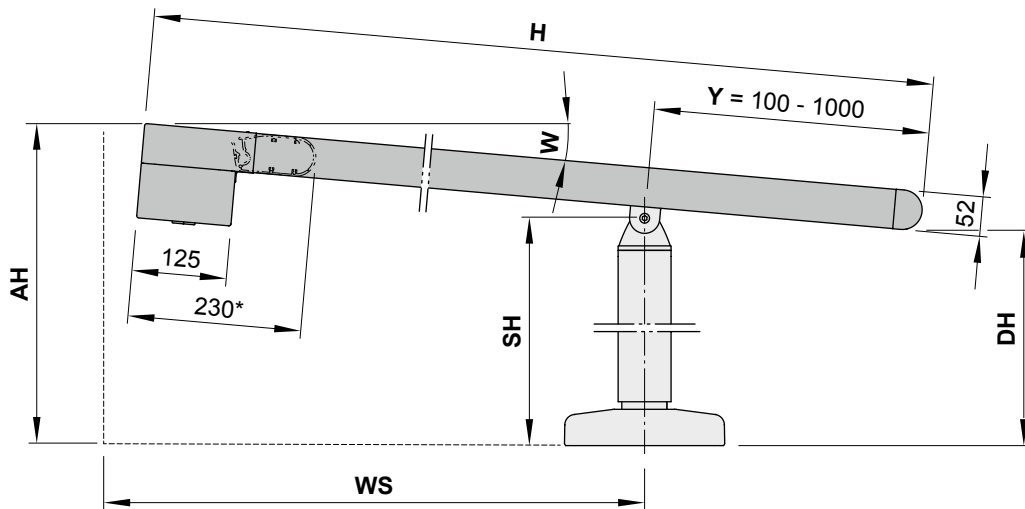
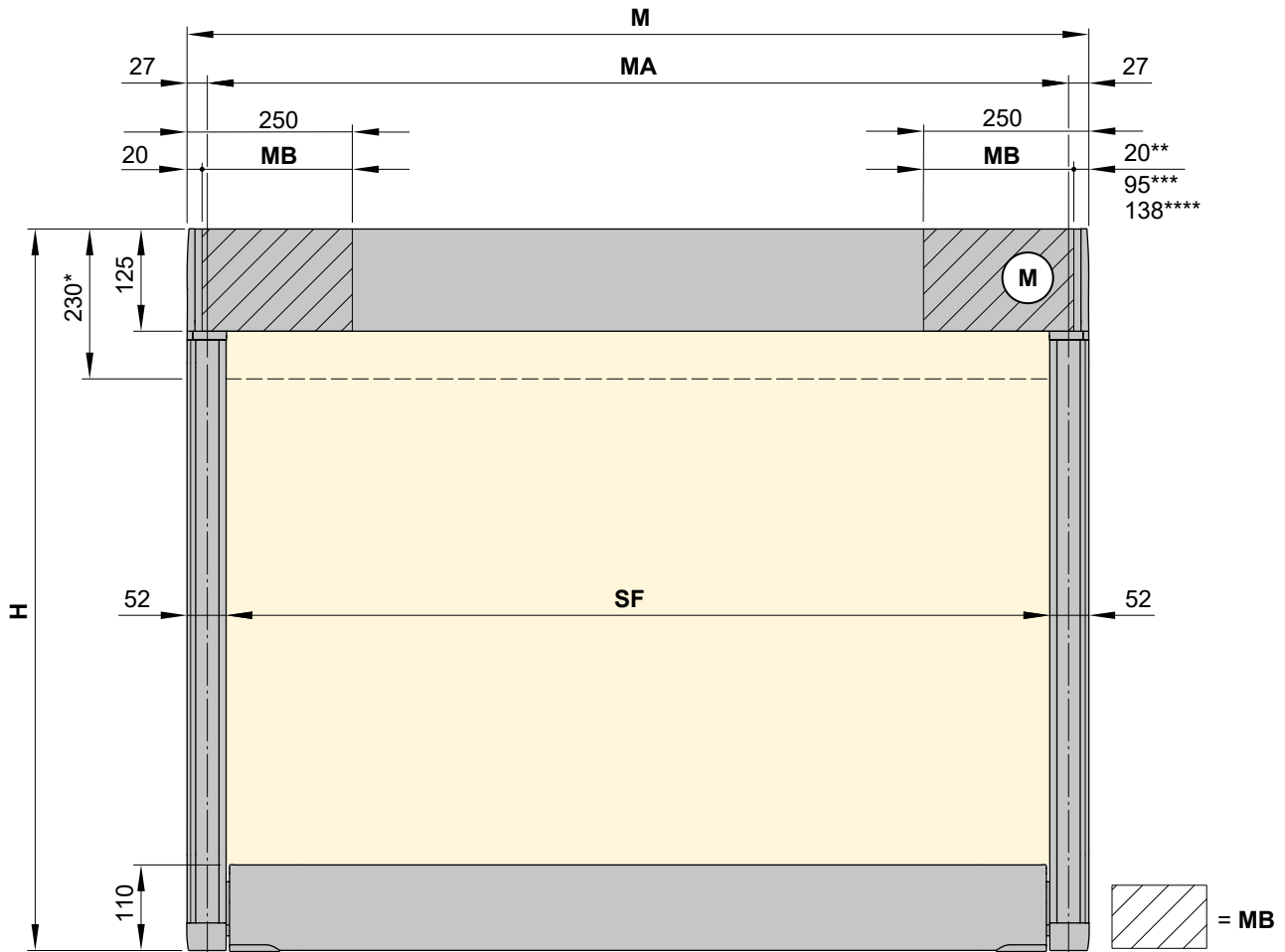
- AB** = adjustment range of a post 200 or 300 mm. optionally on the left / right, see “Dimensions and configuration options”
- AH** = fixture height
- DH** = headroom
- F3** = concrete foundation – please view section “Concrete foundations”
- H** = *order dimension* = extension
- M** = overall awning width = MA + 54 mm

- MA** = *order dimension* = awning fixture width
- SH** = *order dimension* = post height post height, standard height 2500 mm (bespoke heights on request, see “Post dimensions”)
- VB** = height adjustment at the base of both the front support posts during installation approximately 100 mm
- W** = pitch setting = 5°–35°
- WS** = distance from wall ↔ support post

dimensions in mm

01  
02  
03  
04  
05

Overview of dimensions



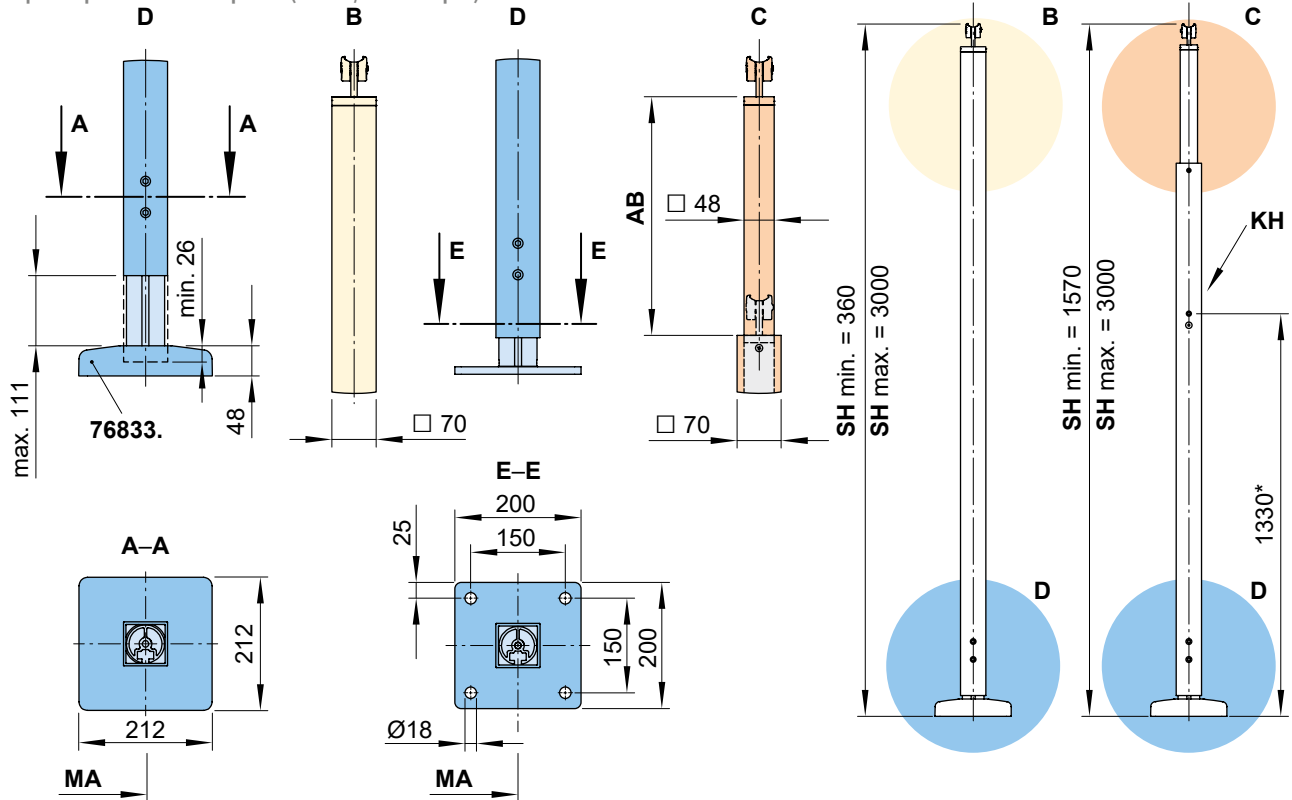
- \* = extension when awning is retracted
- \*\* = dimension for cable exit at the bottom on motor side (standard)
- \*\*\* = dimension in the case of lighting
- \*\*\*\* = dimension in the case of lighting and shadeplus / drop valance
- AH = fixture height
- DH = headroom
- H = *order dimension* = extension
- M = overall awning width = MA + 54 mm
- (M) = drive side motor, on the right by way of example

- MA = *order dimension* = awning fixture width
- MB = bracket fixture range
- SH = order dimension = post height post height, standard height 2500 mm (bespoke heights on request, see "Post dimensions")
- SF = visible cover width
- W = pitch setting = 5°-35°
- WS = distance from wall ↔ support post
- Y = distance from post centre to leading edge of front profile

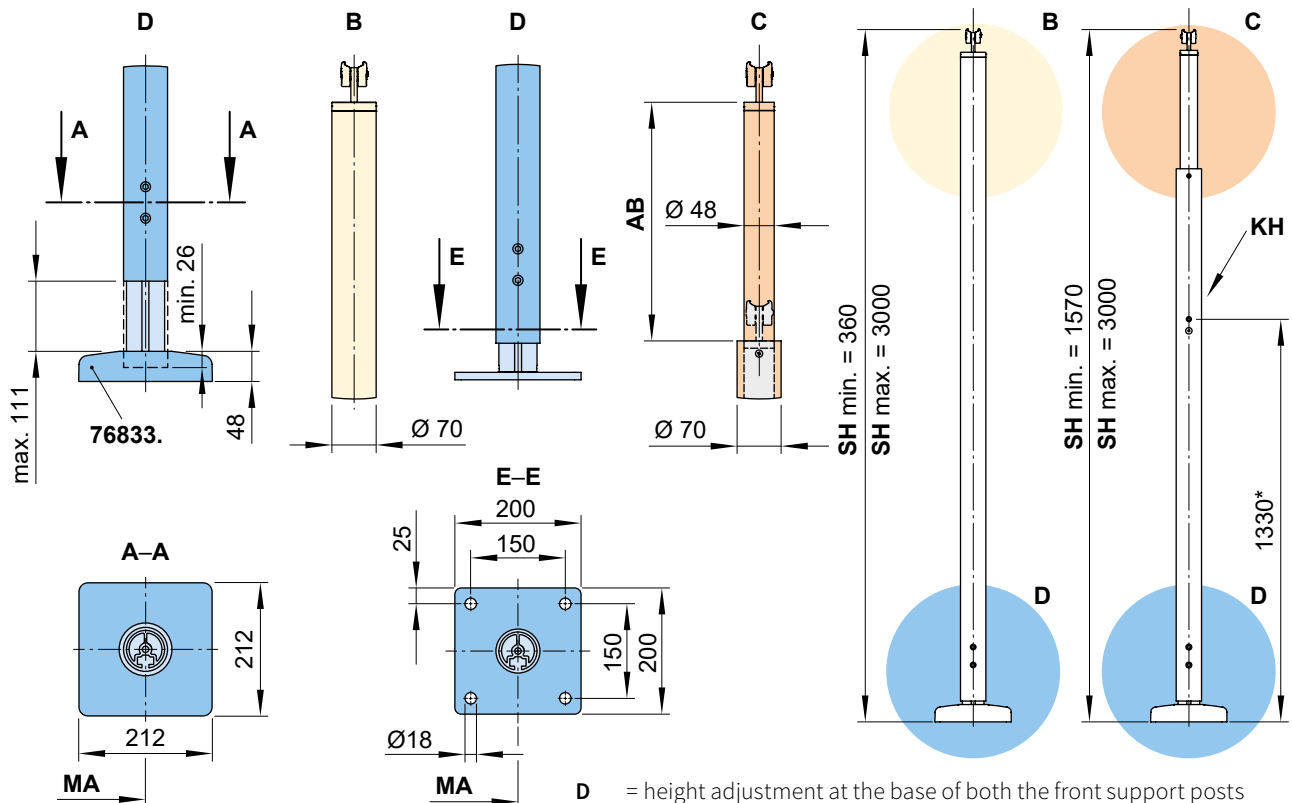
dimensions in mm

# Post dimensions

Square post with footplate (fixed / telescopic)



Round post with footplate (fixed / telescopic)



- \* = dimensions at the standard height
- AB = telescopic range of a post 200 mm or 300 mm see "Dimensions and configuration options"
- B = support post without manual adjustment option
- C = support post with manual adjustment option

- D = height adjustment at the base of both the front support posts during installation approximately 100 mm
- MA = *order dimension* = awning fixture width
- KH = winch handle socket
- SH = *order dimension* = post height, standard height 2500 mm (bespoke heights on request)

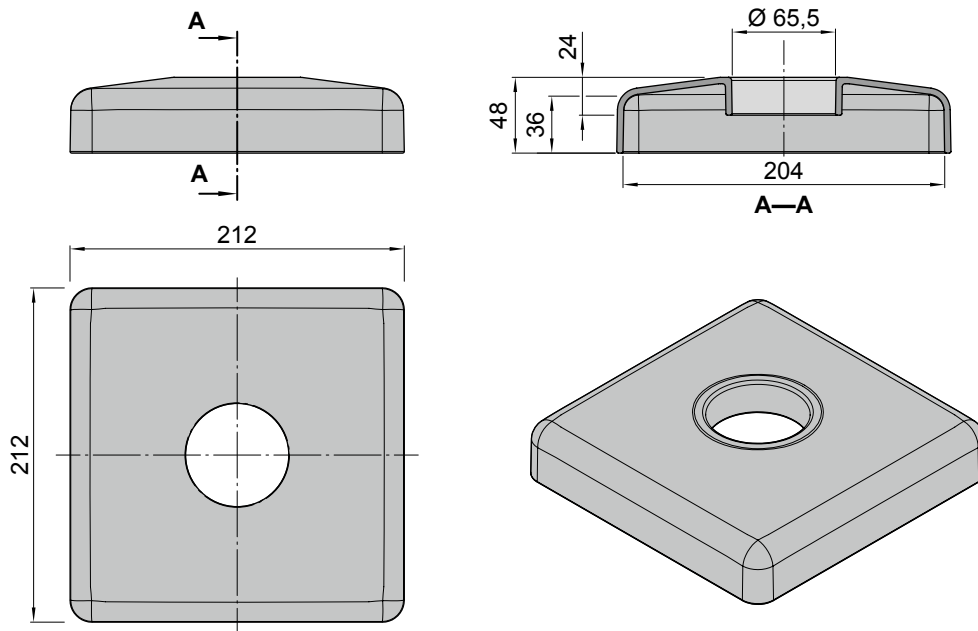
dimensions in mm

01  
02  
**03**  
04  
05

01  
02  
03  
04  
05

## Footplate cover

76833.

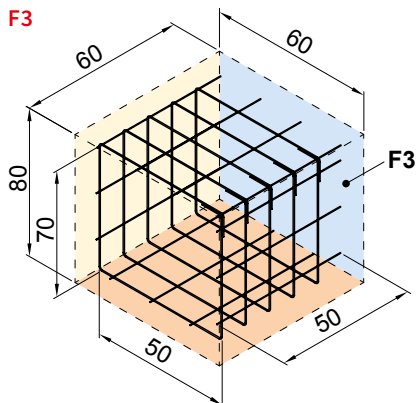


dimensions in mm

## Concrete foundations

To be supplied on site:

Concrete foundations with a compressive strength complying with C25/30 (previously B25) with reinforcement cage made of 6 pieces of rebar matting  $\varnothing$  6 mm.



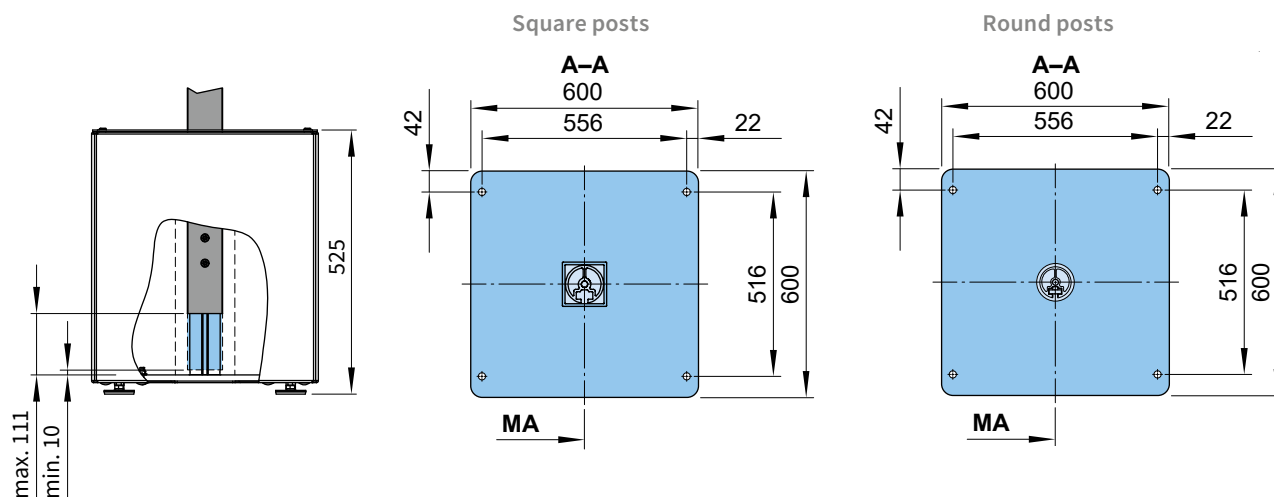
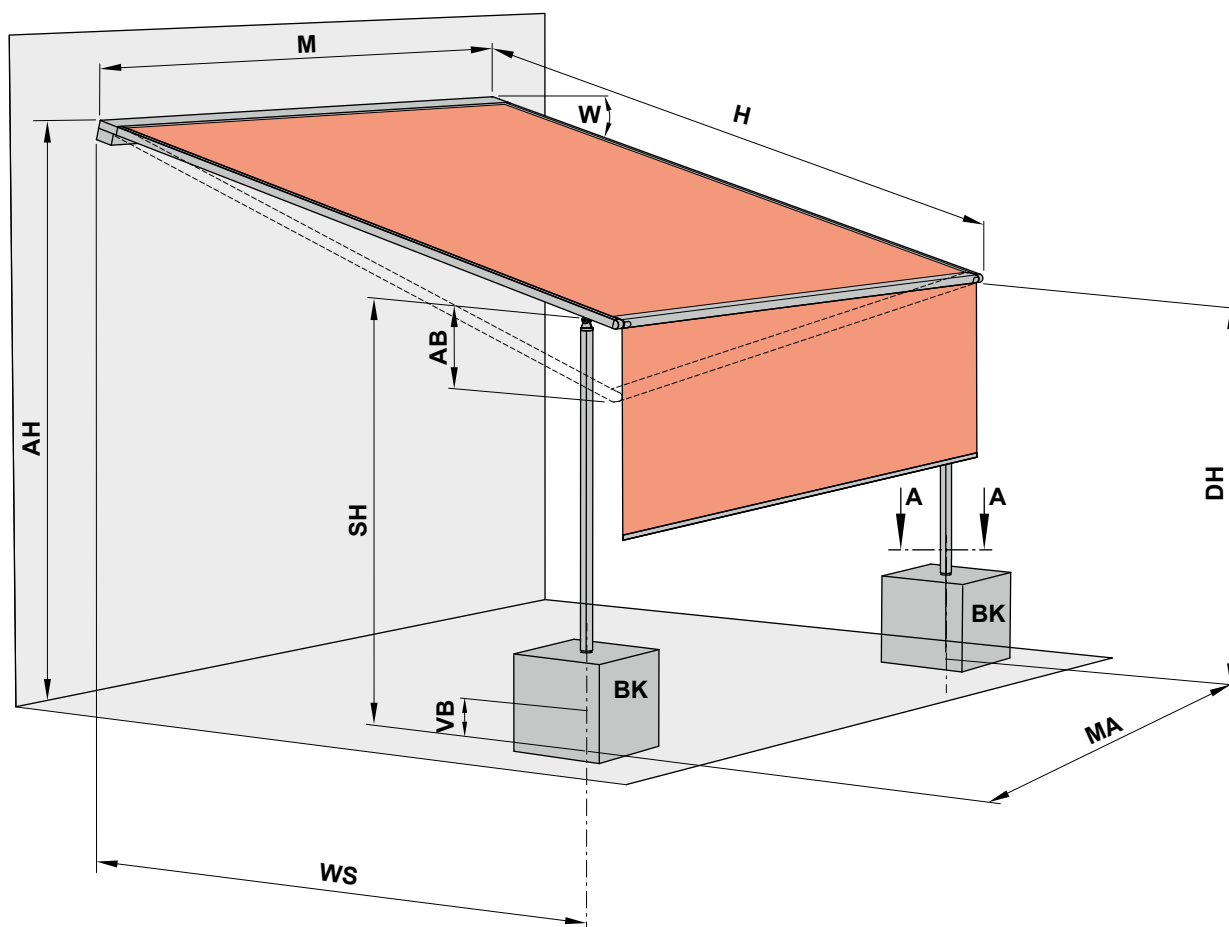
The footplates (F3) are to be fitted to the concrete footings using Fischer marine-grade stainless steel anchor bolts (FAZ 10/30 and washers certified to DIN 9021 (or equivalent)).

dimensions in cm

# Overview of dimensions

Posts with stabilisation boxes

01  
02  
**03**  
04  
05



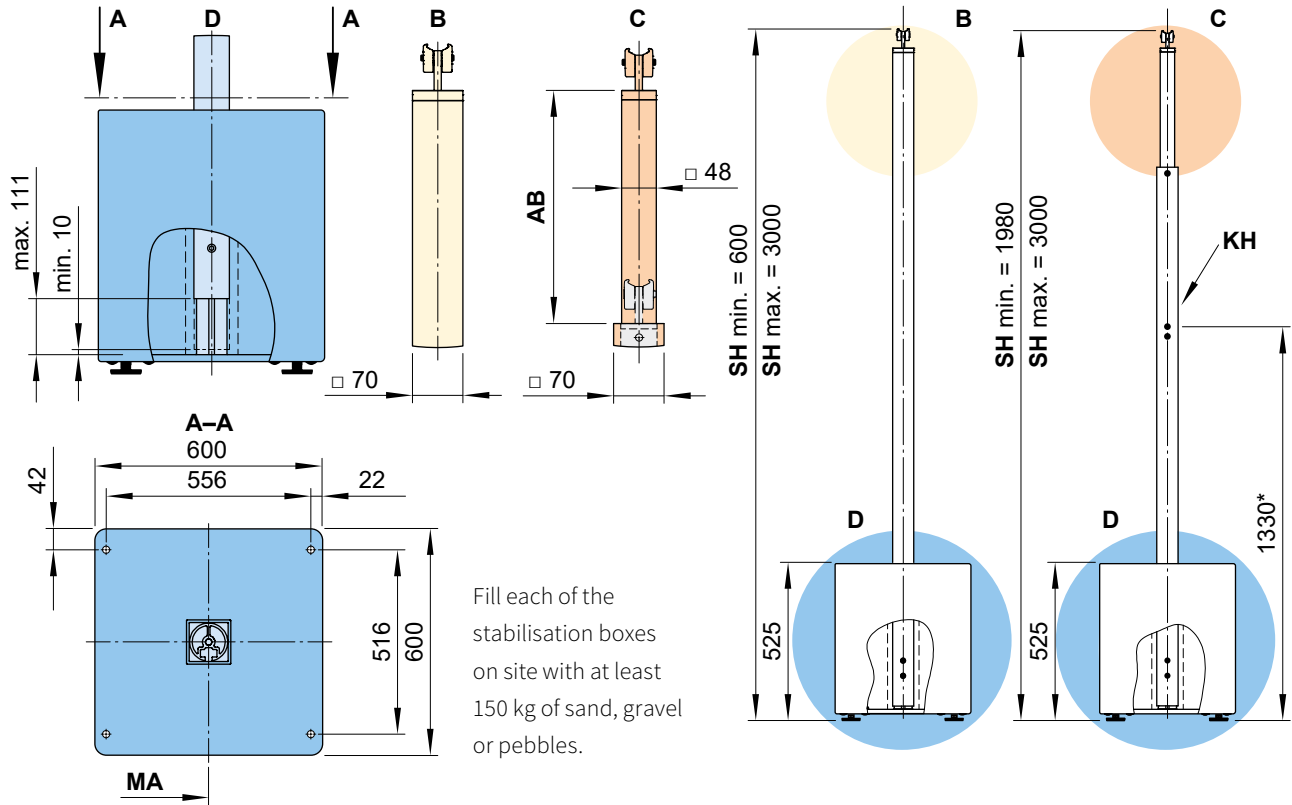
Fill each of the stabilisation boxes on site with at least 150 kg of sand, gravel or pebbles.

- AB** = adjustment range of a post 200 or 300 mm.  
optionally on the left / right, see "Dimensions and configuration options"
  - AH** = fixture height
  - BK** = stabilisation box
  - DH** = headroom
  - H** = *order dimension* = extension
  - M** = overall awning width = MA + 54 mm
  - MA** = order dimension = awning fixture width = fixture width
  - SH** = *order dimension* = support post height  
(bespoke heights on request, see "Post dimensions")
  - VB** = height adjustment at the base of both the front support posts during installation approximately 100 mm
  - W** = pitch setting = 5°-35°
  - WS** = distance from wall ↔ support post centre
- dimensions in mm

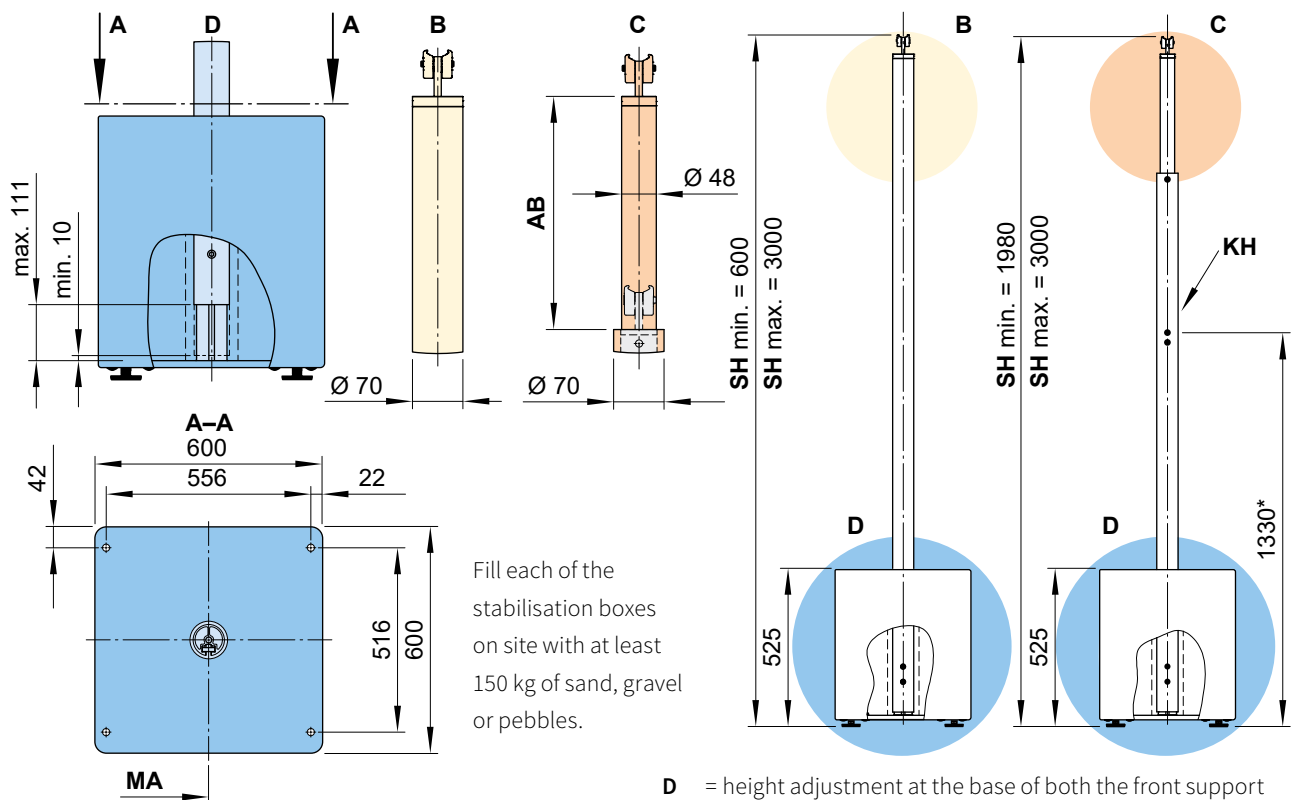
01  
02  
03  
04  
05

## Post dimensions

### Square support post with footplate (fixed / telescopic)



### Round support post with stabilisation box (fixed / telescopic)



\* = dimensions at the standard height

AB = telescopic range of a post 200 mm or 300 mm see "Dimensions and configuration options"

B = support post without manual adjustment option

C = support post with manual adjustment option

D = height adjustment at the base of both the front support posts during installation approximately 100 mm

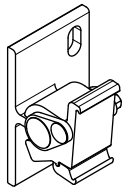
MA = order dimension = awning fixture width = fixture width

KH = winch handle socket

SH = *order dimension* = post height, standard height 2500 mm (bespoke heights on request) dimensions in mm

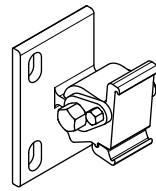
## Fixtures, fittings and accessories

01  
02  
**03**  
04  
05



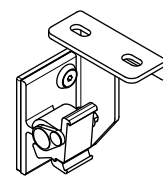
face fixture bracket cassette  
left  
pitch adjustment range from 5°-35°

**71153.**



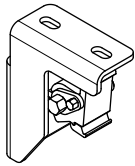
face fixture bracket cassette  
right  
pitch adjustment range from 5°-35°

**71154.**



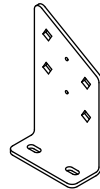
top fixture bracket cassette  
left  
pitch adjustment range 5°-35°

**71157.**



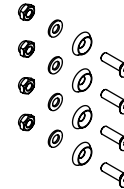
top fixture bracket cassette  
right  
pitch adjustment range 5°-35°

**71158.**



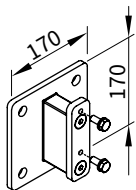
eaves fixture bracket

**77010.**



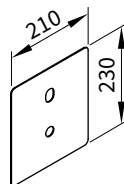
accessories  
for two eaves fixture brackets 77010.

**767281**



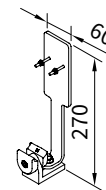
stand-off brackets for face fixture brackets 71153., 71154. and 71844.  
length min. 80 mm up to max. 300 mm

**77956.**



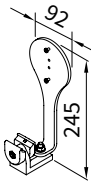
cover plate for installation with stand-off bracket 77956. in the case of external insulation  
210 × 230 mm

**71844.**



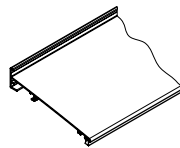
bracket sun-/ wind or rain sensor

**76050.**



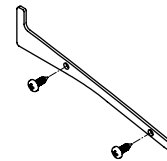
bracket bracket for sun and/or wind sensor io

**76723.**



wall sealing profile incl. brush seal  
by the metre

**76385. and 704241**



1 side plate including 2 pan-head self-tapping screws for wall sealing profile

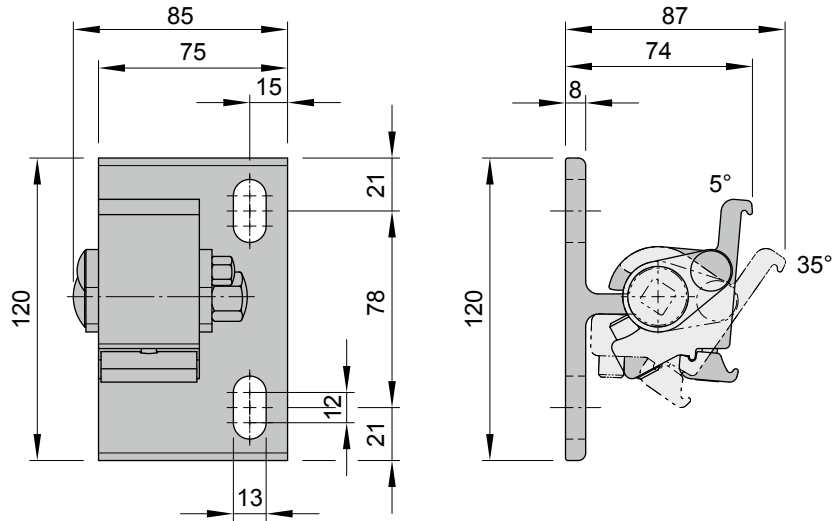
**76386. and 2 × 735611**



01  
02  
**03**  
04  
05

### Face fixture

Face fixture cassette bracket, left

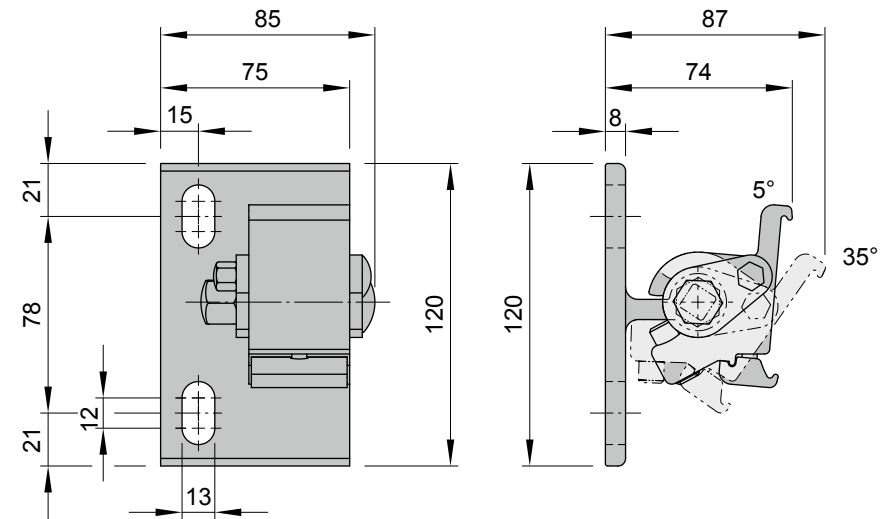


face fixture bracket cassette  
left  
5°-35°  
pitch adjustment range

**71153.**

dimensions in mm

Face fixture cassette bracket, right

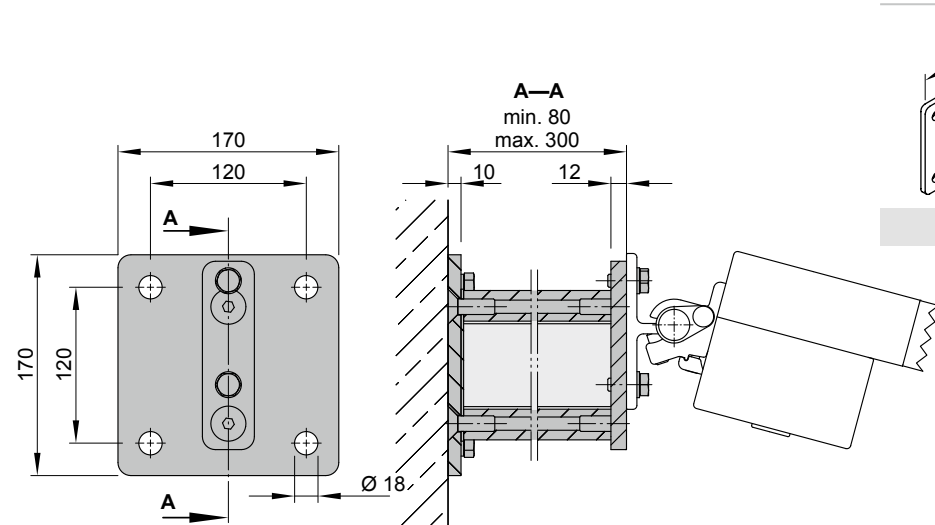


face fixture bracket cassette  
right  
5°-35°  
pitch adjustment range

**71154.**

dimensions in mm

Face fixture using stand-off brackets



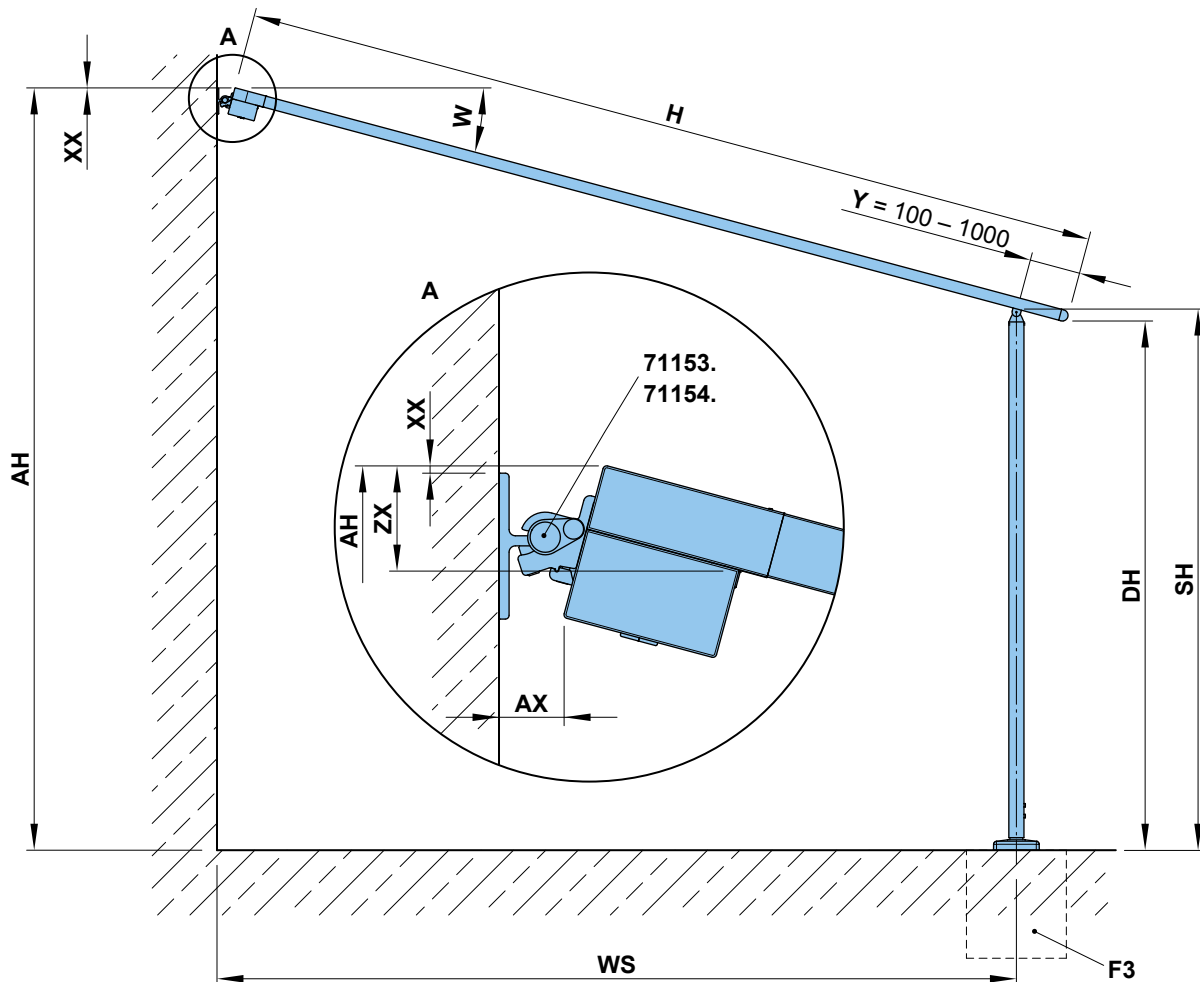
stand-off brackets for  
face fixture brackets  
71153., 71154. and 71844.  
length min. 80 mm up to  
max. 300 mm

**77956.**

dimensions in mm

# Face fixture

Dimension overview of support post with footplate



W	AX	XX	ZX
5°	62	9	64
10°	57	6	74
15°	52	-2	84
20°	46	-3	93
25°	41	-8	101
30°	35	-13	109
35°	30	-18	115

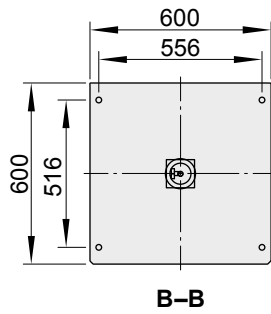
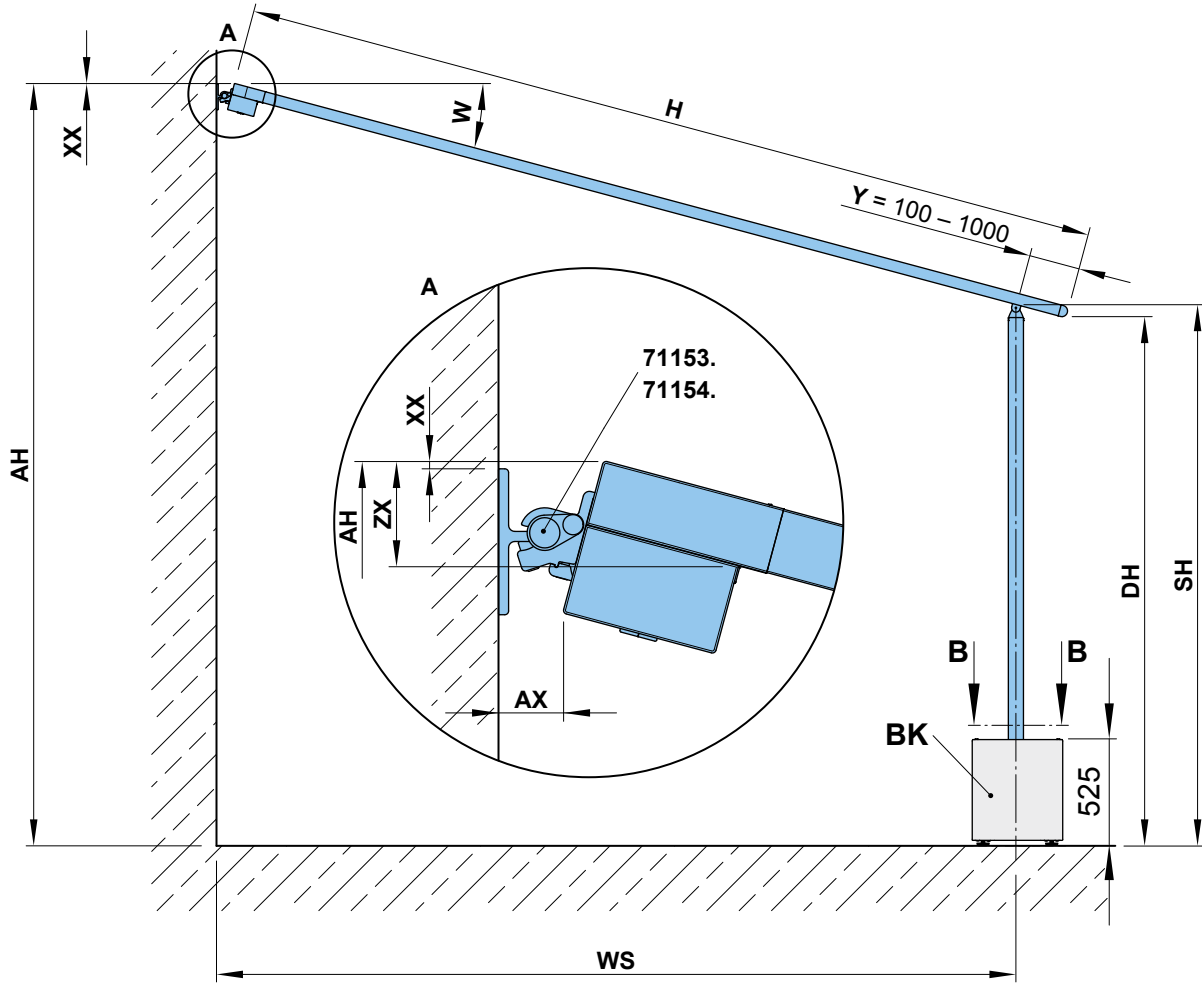
- 71153.** = face fixture cassette bracket, left
- 71154.** = face fixture cassette bracket, right
- AH** = fixture height =  $SH + ZX + \sin W \times (H - Y)$
- AX** = distance from wall  $\leftrightarrow$  cassette
- DH** = headroom =  $SH - \sin W \times Y$
- F3** = concrete foundation – please view section “Concrete foundations”
- H** = *order dimension* = extension
- SH** = *order dimension* =  $AH - ZX - \sin W \times (H - Y)$
- W** = pitch (measured from the horizontal)
- WS** = distance from wall  $\leftrightarrow$  support post centre =  $\cos W \times (H - Y) + AX$
- Y** = distance from post centre to leading edge of front profile min. 100 mm up to max. 1000 mm
- XX** = distance from the top edge of the fixture bracket to the top edge of the cassette (see table)
- ZX** = distance upper edge cassette – bottom edge of guide track

dimensions in mm

01 **Face fixture**

02 Dimension overview of support post with stabilisation box

03



W	AX	XX	ZX
5°	62	9	64
10°	57	6	74
15°	52	-2	84
20°	46	-3	93
25°	41	-8	101
30°	35	-13	109
35°	30	-18	115

Fill each of the stabilisation boxes on site with at least 150 kg of sand, gravel or pebbles.

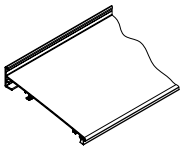
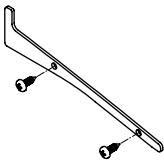
- 71153.** = face fixture bracket cassette, pitch adjustment 5° to 35°, left
- 71154.** = face fixture bracket cassette, pitch adjustment 5° to 35°, right

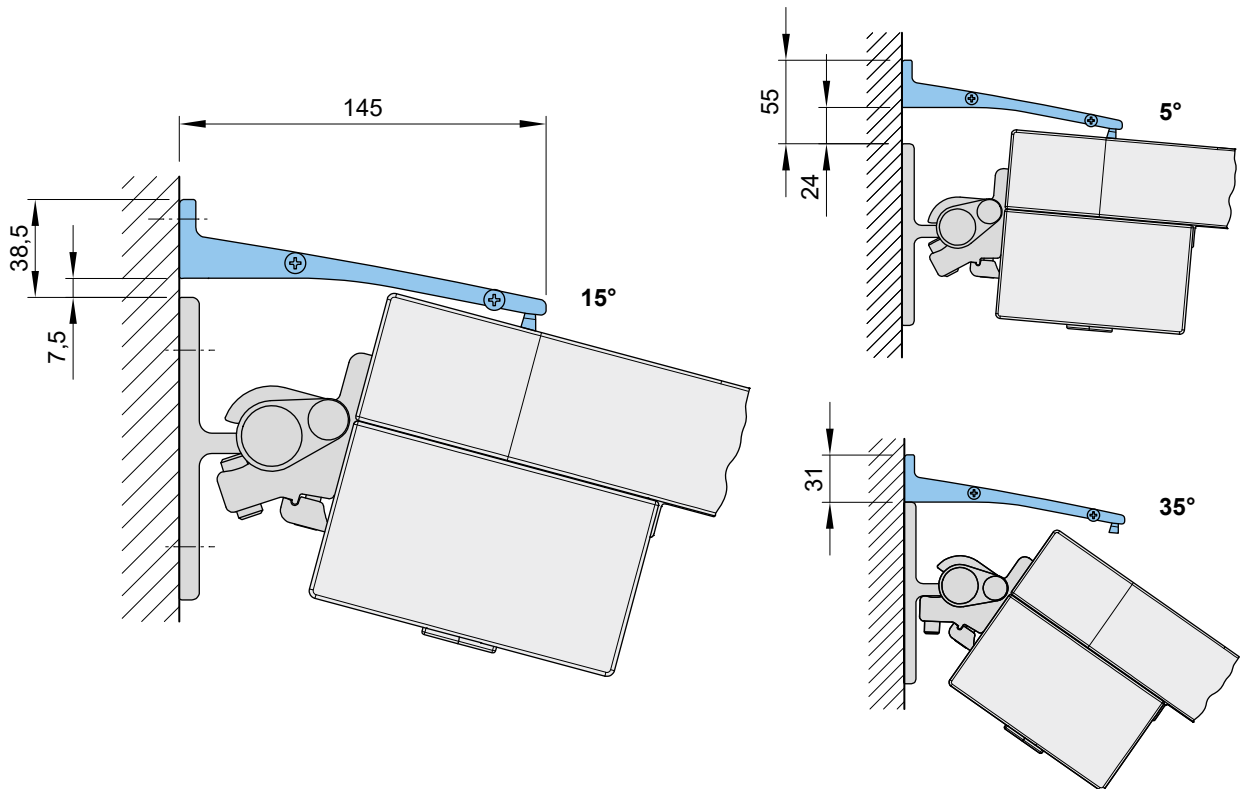
- AH** = fixture height =  $SH + ZX + \sin W \times (H - Y)$
- AX** = distance from wall  $\leftrightarrow$  cassette
- BK** = stabilisation box
- DH** = headroom =  $SH - \sin W \times Y$
- H** = *order dimension* = extension
- SH** = *order dimension* =  $AH - ZX - \sin W \times (H - Y)$
- W** = pitch (measured from the horizontal)
- WS** = distance from wall  $\leftrightarrow$  support post centre =  $\cos W \times (H - Y) + AX$
- Y** = distance from post centre to leading edge of front profile min. 100 mm up to max. 1000 mm
- XX** = distance from the top edge of the fixture bracket to the top edge of the cassette (see table)
- ZX** = distance upper edge cassette – bottom edge of guide track

dimensions in mm

# Dimension overview with wall sealing profile

Face fixture, various pitch positions

 <p>wall sealing profile incl. brush seal by the metre</p> <p><b>76385. and 704241</b></p>	 <p>1 side plate including 2 pan-head self-tapping screws for wall sealing profile</p> <p><b>76386. and 2 × 735611</b></p>
---	---



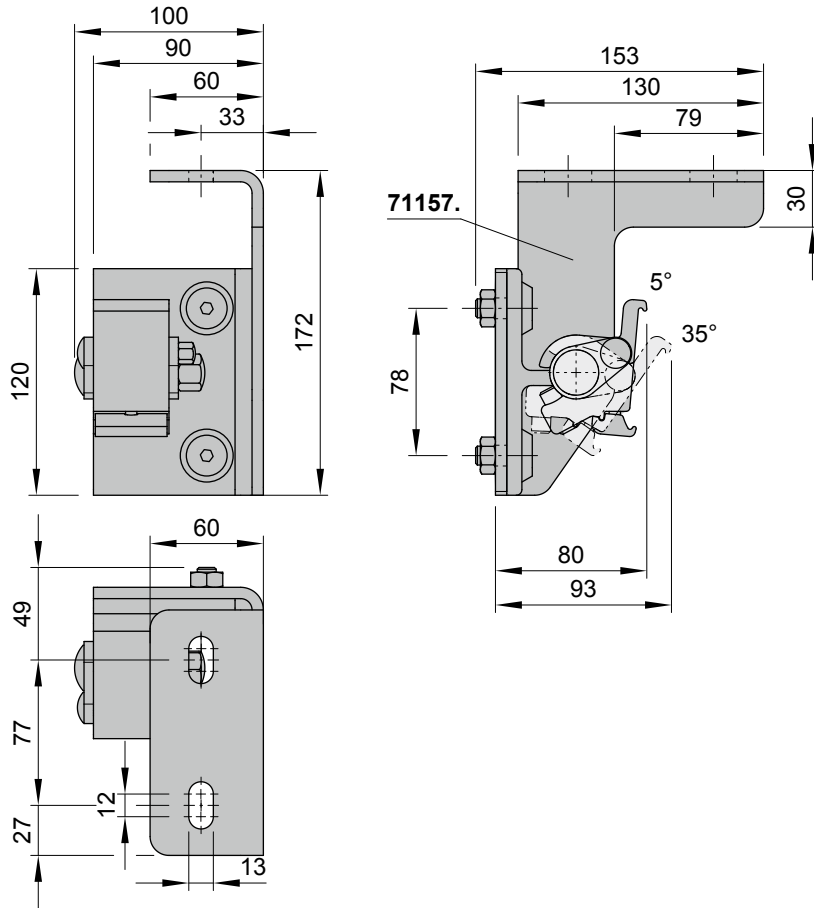
76385. = Wall sealing profile (standard width = awning fixture width (MA) + 46 mm)

dimensions in mm

- 01
- 02
- 03
- 04
- 05

## Top fixture

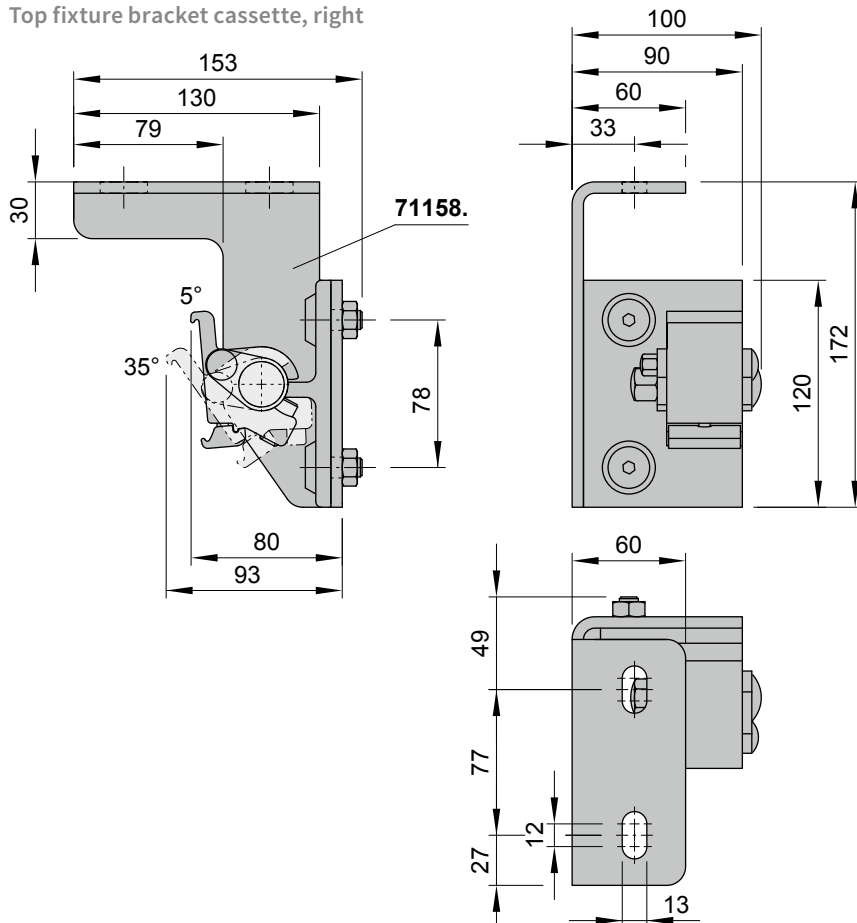
Top fixture bracket cassette, left



top fixture bracket cassette  
left  
pitch adjustment range  
5°-35°

**71157.**

Top fixture bracket cassette, right



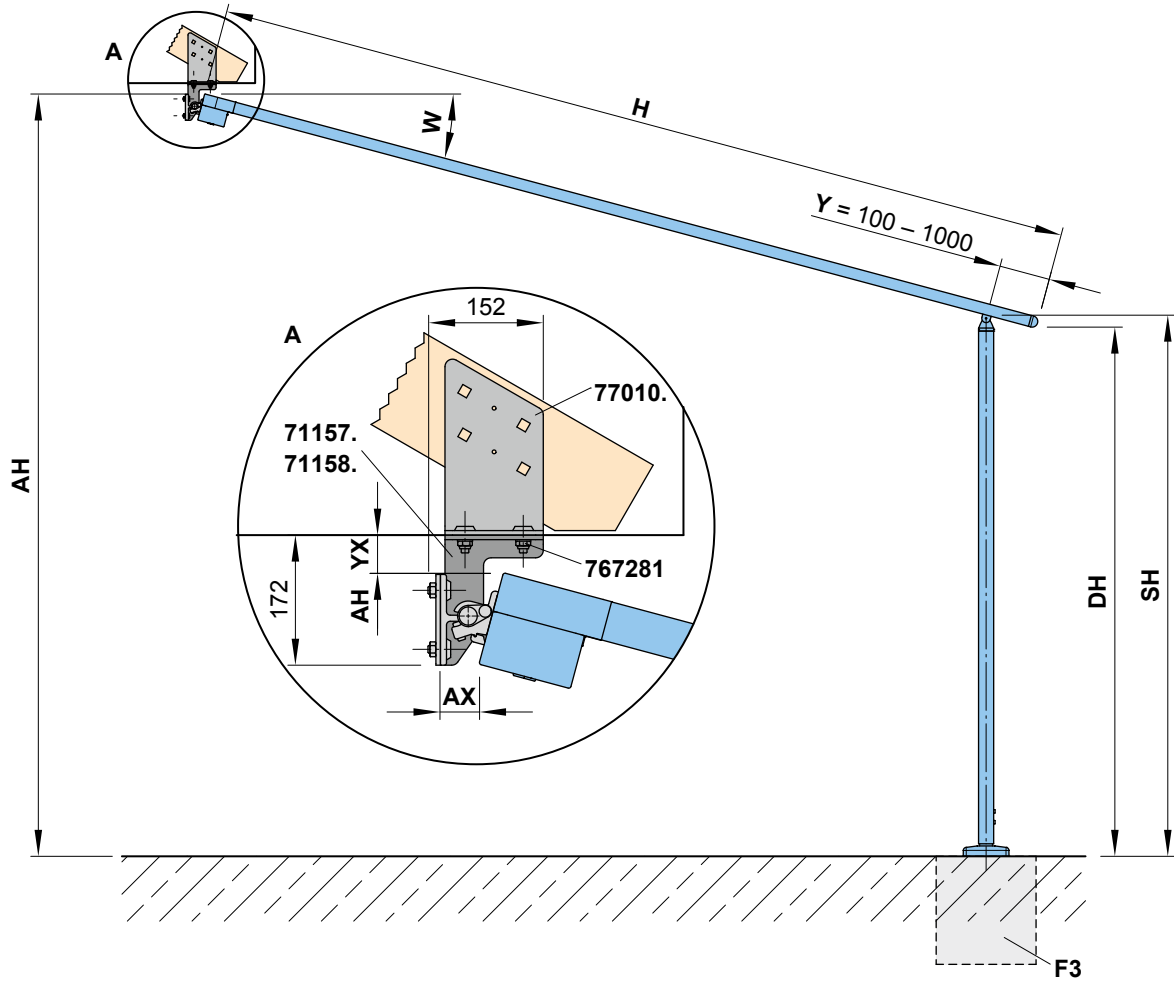
top fixture bracket cassette  
right  
pitch adjustment range  
5°-35°

**71158.**

dimensions in mm

## Top and eaves fixture

Dimension overview of support post with footplate



W	AX	YX
5°	62	40
10°	57	43
15°	52	51
20°	46	52
25°	41	57
30°	35	62
35°	30	67

**767281** = accessories for two eaves fixture brackets 77010.

**77010.** = eaves fixture bracket

**71157.** = face fixture bracket cassette, pitch adjustment 5° to 35°, left

**71158.** = top fixture bracket cassette, pitch adjustment 5° to 35°, right

**AH** = fixture height =  $SH + ZX + \sin W \times (H - Y)$

**AX** = distance from wall  $\leftrightarrow$  cassette

**DH** = headroom =  $SH - \sin W \times Y$

**F3** = concrete foundation – please view section “Concrete foundations”

**H** = *order dimension* = extension

**SH** = support post height, standard height 2500 mm (special heights on request) =  $AH - ZX - \sin W \times (H - Y)$

**W** = pitch (measured from the horizontal)

**Y** = distance from post centre to leading edge of front profile min. 100 mm up to max. 1000 mm

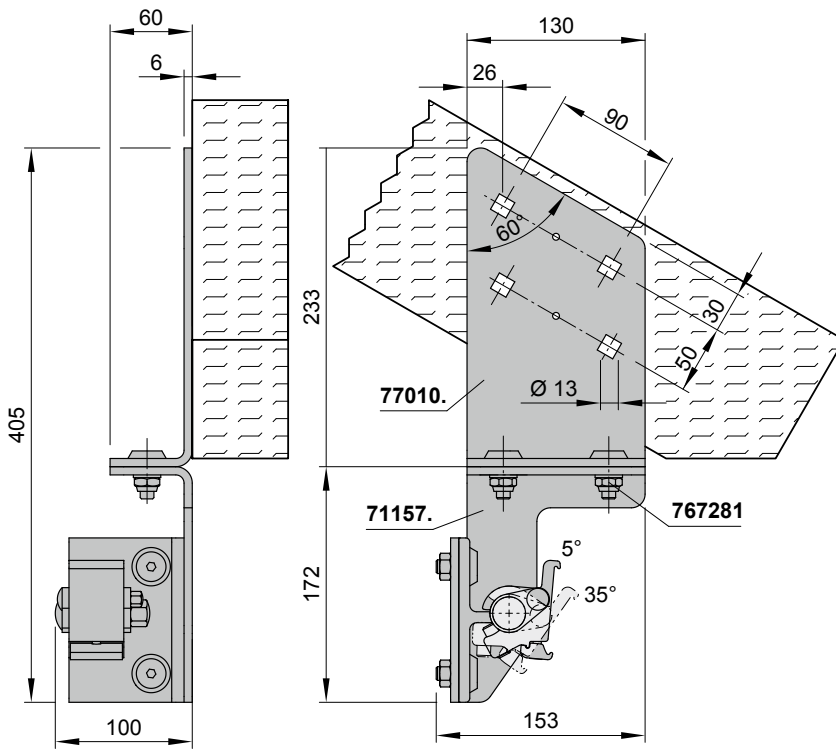
**YX** = distance from wall  $\leftrightarrow$  cassette (see table)


dimensions in mm

01  
02  
03  
04  
05

## Eaves fixture

Eaves fixture bracket (left, by way of example)

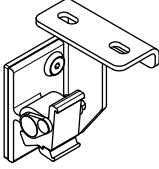




eaves fixture bracket plate

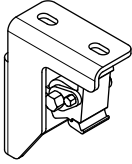
**77010.**

---



top fixture bracket cassette  
left

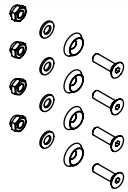
**71157.**



top fixture bracket cassette  
right

**71158.**

---



accessories  
for two eaves fixture brackets 77010.

**767281**

## Adjustable post, motor-driven

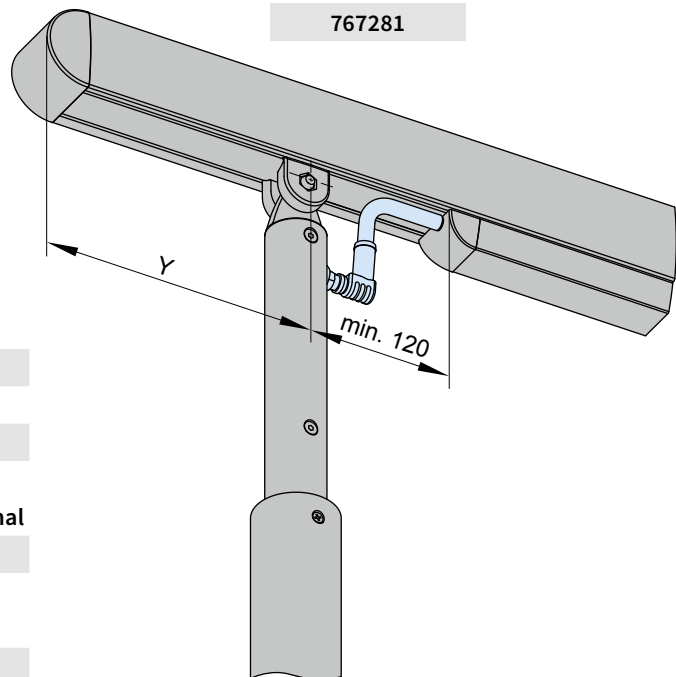
- Post height, minimum: 1970 mm
- Motor cable, black
- The LED-Line guide tracks are always installed on all guide tracks of the markilux pergola for a harmonious look
- Cannot be combined with shadeplus

### Technical details Hard-wired motor

Power supply	230 V DC
Power output	110 W
Protection class	IP 44

### Automatic controls

	Standard	Optional
Hard-wired motor	✓	—
Radio receiver Somfy Slim Plug io (8271254)	—	✓
Radio receiver Universal Slim Receiver RTS Plug (8272148)	—	✓



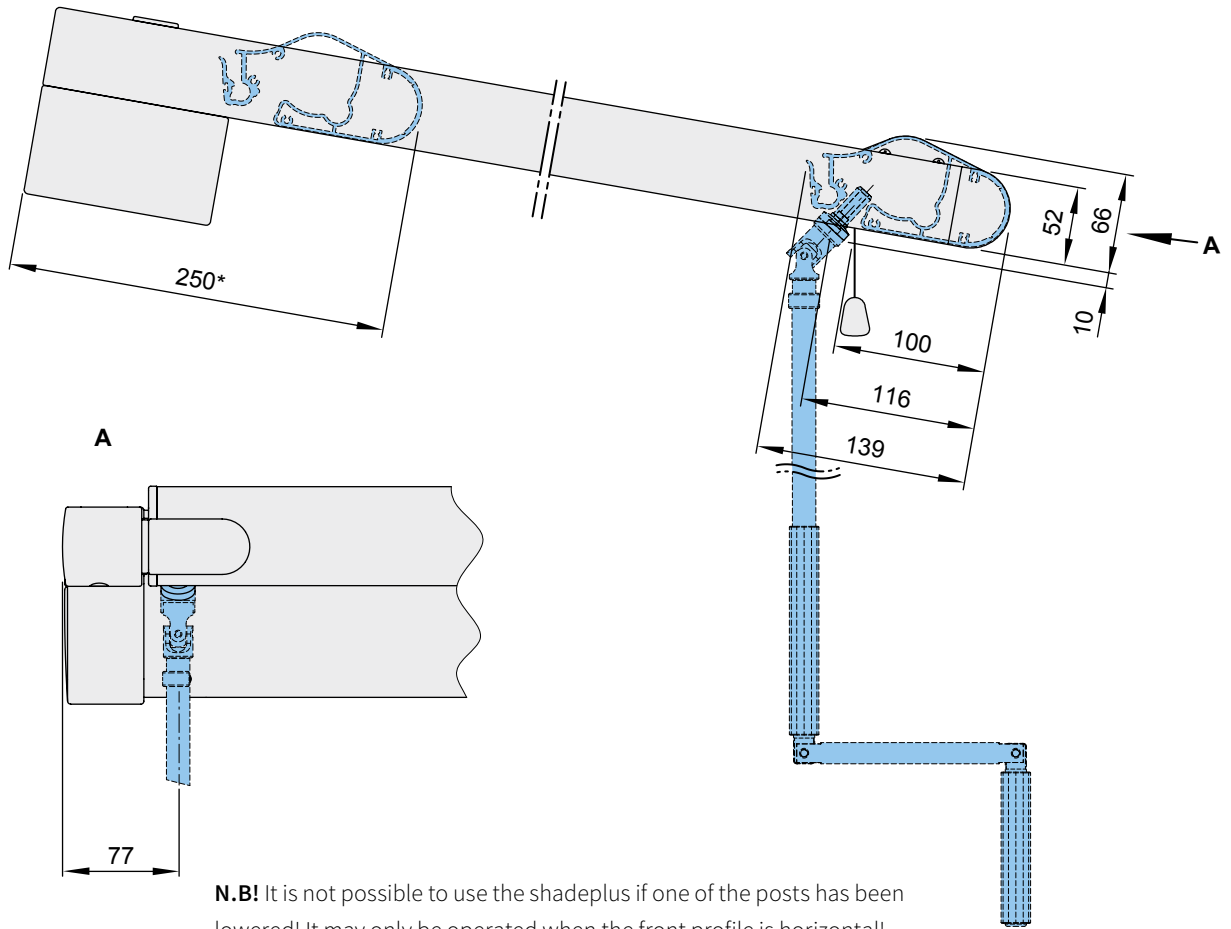
Y = distance from post centre to leading edge of front profile

dimensions in mm



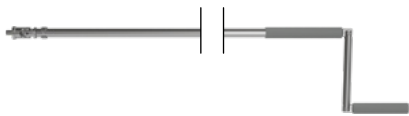
## Dimension overview, shadeplus

Magnetic, articulated crank handle <sup>1)</sup>



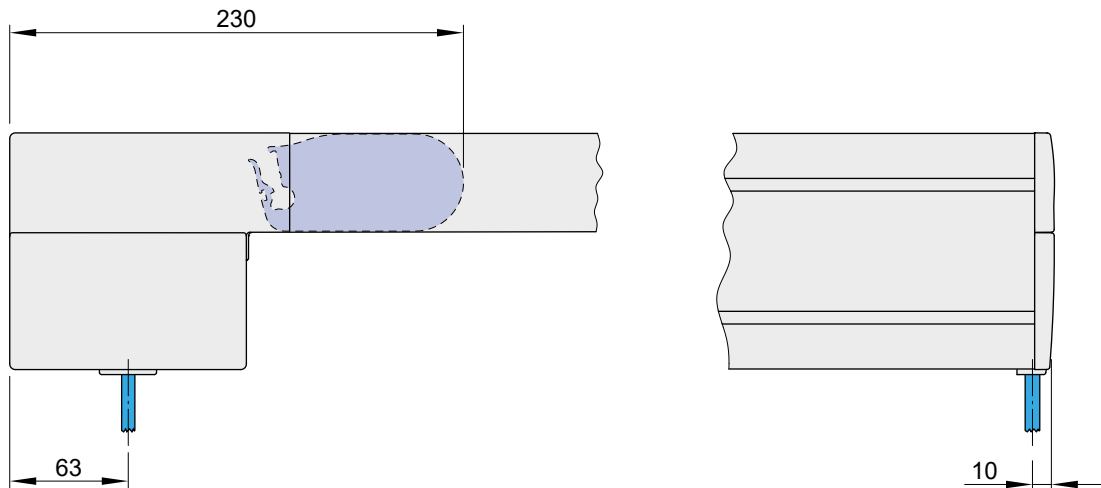
**N.B!** It is not possible to use the shadeplus if one of the posts has been lowered! It may only be operated when the front profile is horizontal!

\* = dimension with the awning retracted



Magnetic, articulated crank handle for manual operation of the shadeplus / drop  
valance lengths: standard 120 cm, optional 160 cm, from 160 cm up to max. 280 cm on  
request (order no. 74271.)

## Motor cable exit point <sup>1)</sup>



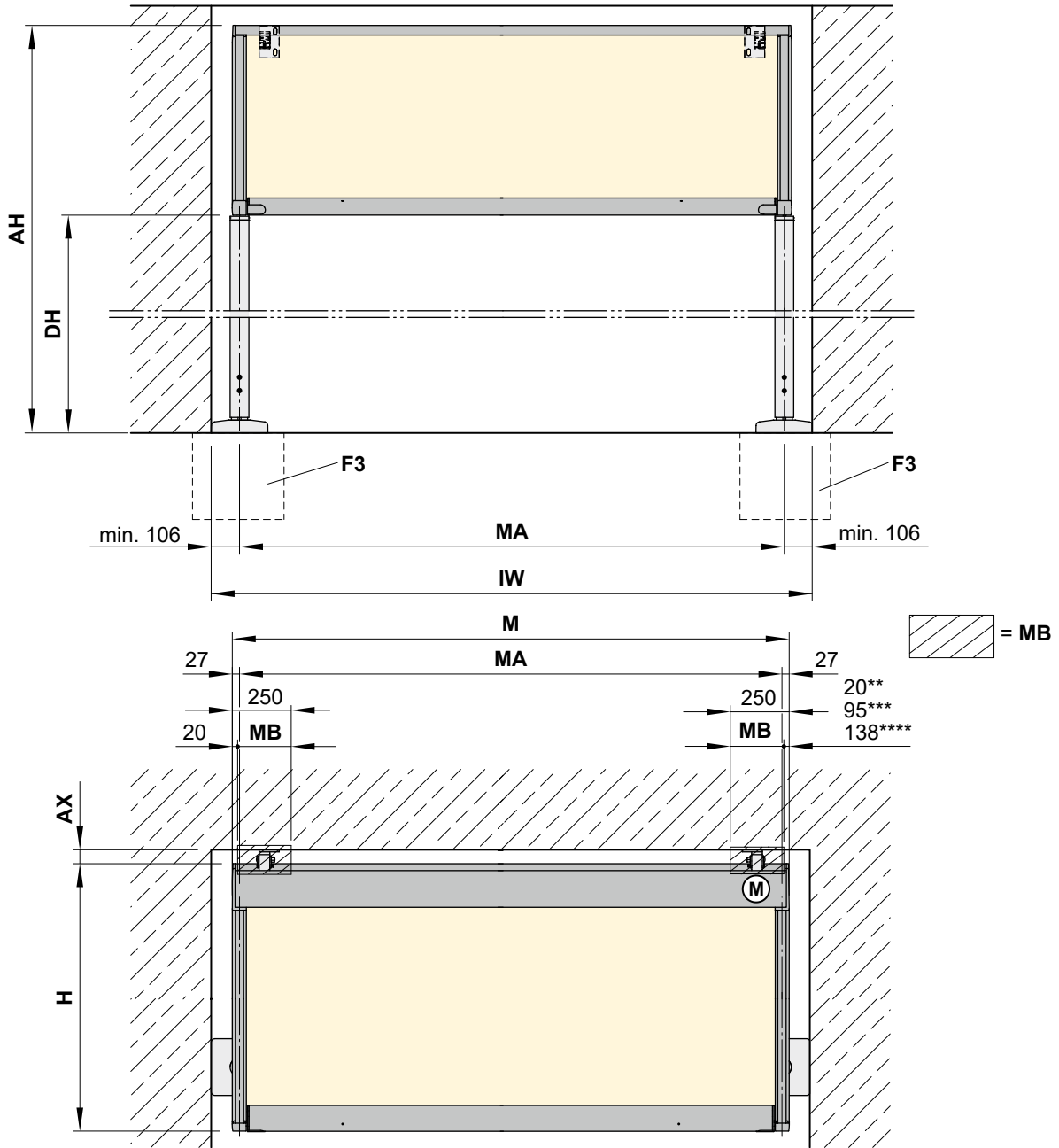
<sup>1)</sup> depending on the operation side, right or left

dimensions in mm

01  
02  
03  
04  
05

# Overview of dimensions

Reveal fixture



- \*\* = dimension for bottom cable exit on motor side (optional)
- \*\*\* = dimension in the case of lighting
- \*\*\*\* = dimension in the case of lighting and shadeplus / drop valance

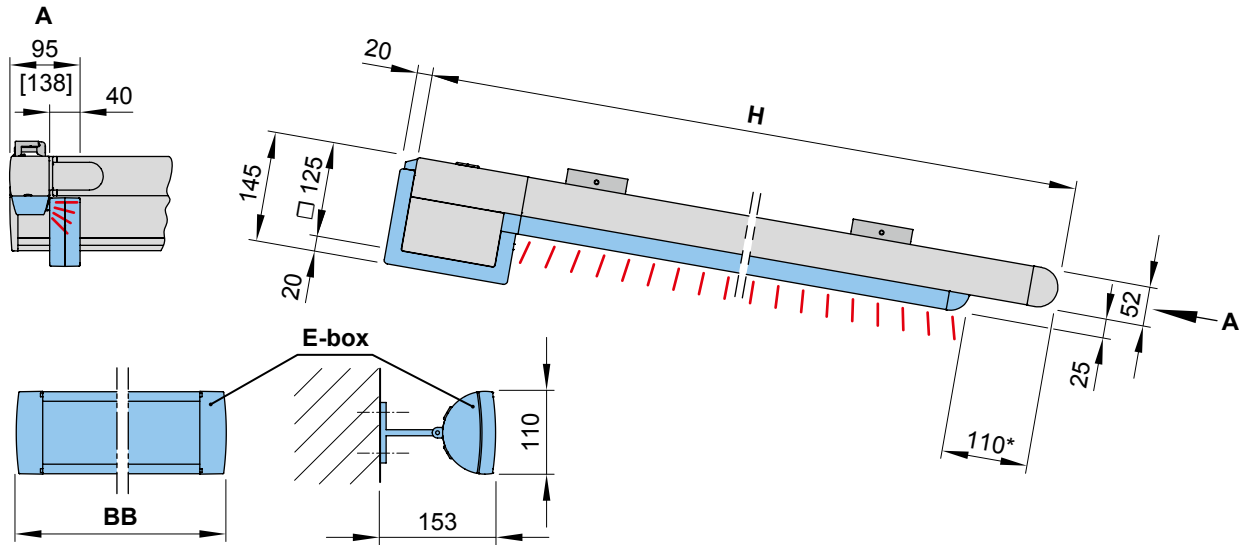
**N.B!** In the case of reveal fixture a distance of at least 106 mm must be left free on each side of the awning.

- AH = fixture height
- AX = distance from wall ↔ cassette
- DH = headroom
- F3 = concrete foundation – please view section “Concrete foundations”
- H = *order dimension* = extension
- HT = bracket
- M = overall awning width = MA + 54 mm
- Ⓜ = drive side motor, on the right by way of example
- MA = order dimension = awning fixture width = fixture width
- MB = bracket fixture range
- IW = reveal width

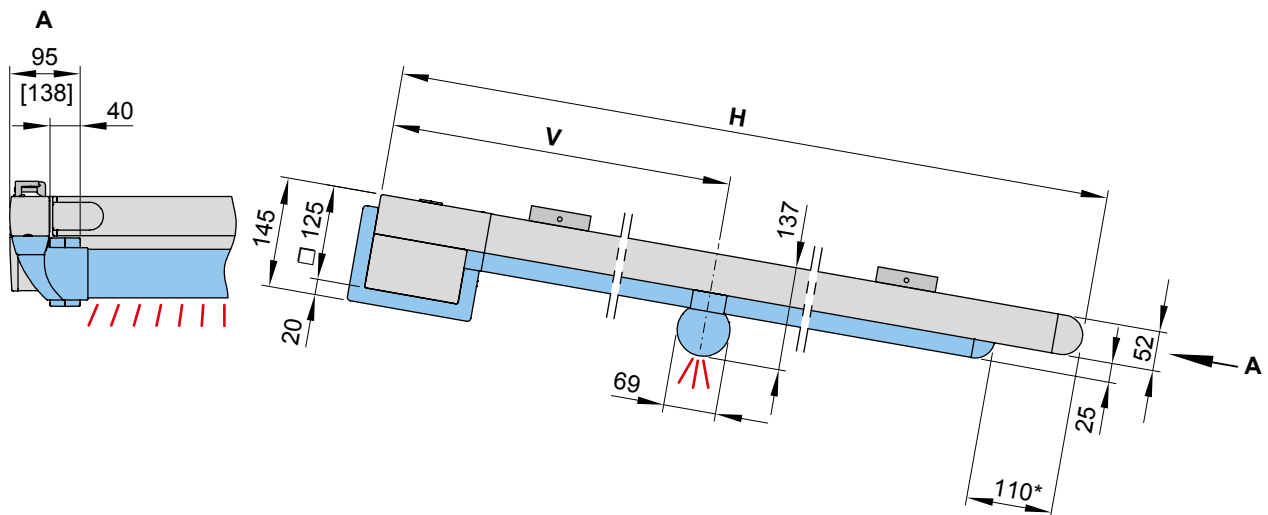
dimensions in mm

## Dimension overview with the various lighting options

Option 1: LED-Line in the guide tracks, electronic components in an E box



Option 2: LED-Line in the cover support tube, electronic components in the cover support tube



\* = standard dimension

[...] = dimension in the case of lighting and shadeplus / drop valance

BB = order width

E-box = see section "E-box"

H = *order dimension* = extension

T = indent dimension LED-Line

V = distance from the rear of the cassette to the centre of the (rear) cover support tube.

Standard: centred ( $V = H \div 2$ ) / optional: ( $V \text{ min.} = 500 \text{ mm. } V \text{ max.} = H - 500 \text{ mm}$ )

Y = distance from post centre to leading edge of front profile

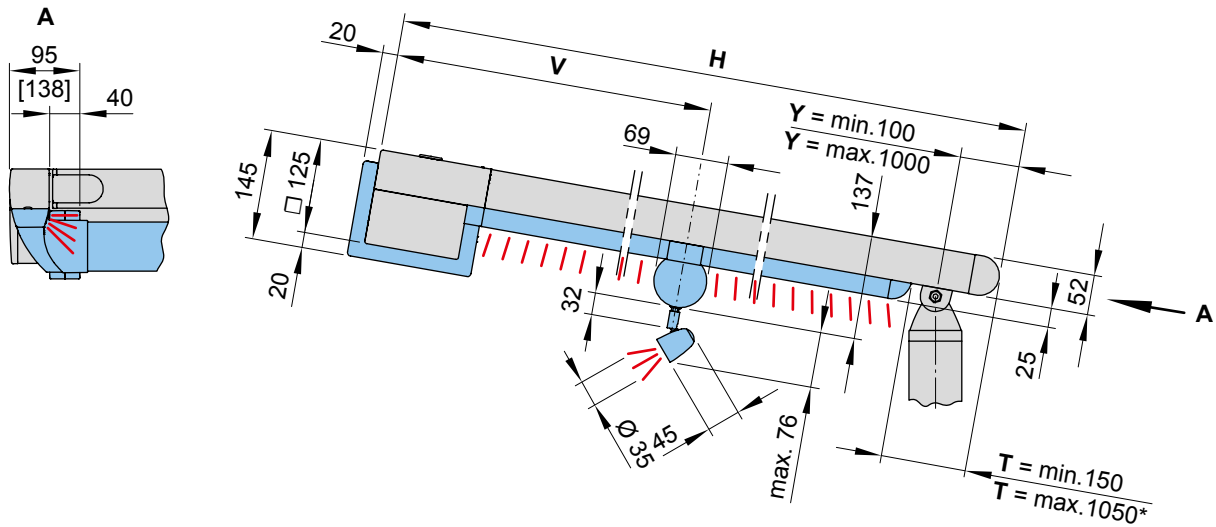
dimensions in mm



## Dimension overview with the various lighting options

Option 5: LED-Spots in the cover support tube and LED-Line in the guide tracks, electronic components in the cover support tube

01  
02  
**03**  
04  
05



\* = standard dimension

[...] = dimension in the case of lighting and shadeplus / drop valance

BB = order width

E-box = see section "E-box"

H = *order dimension* = extension

T = indent dimension LED-Line

V = distance from the rear of the cassette to the centre of the (rear) cover support tube.

In the case of 2 cover support tubes, V min. = 500 mm. V max. = H - 2500 mm

Y = distance from post centre to leading edge of front profile

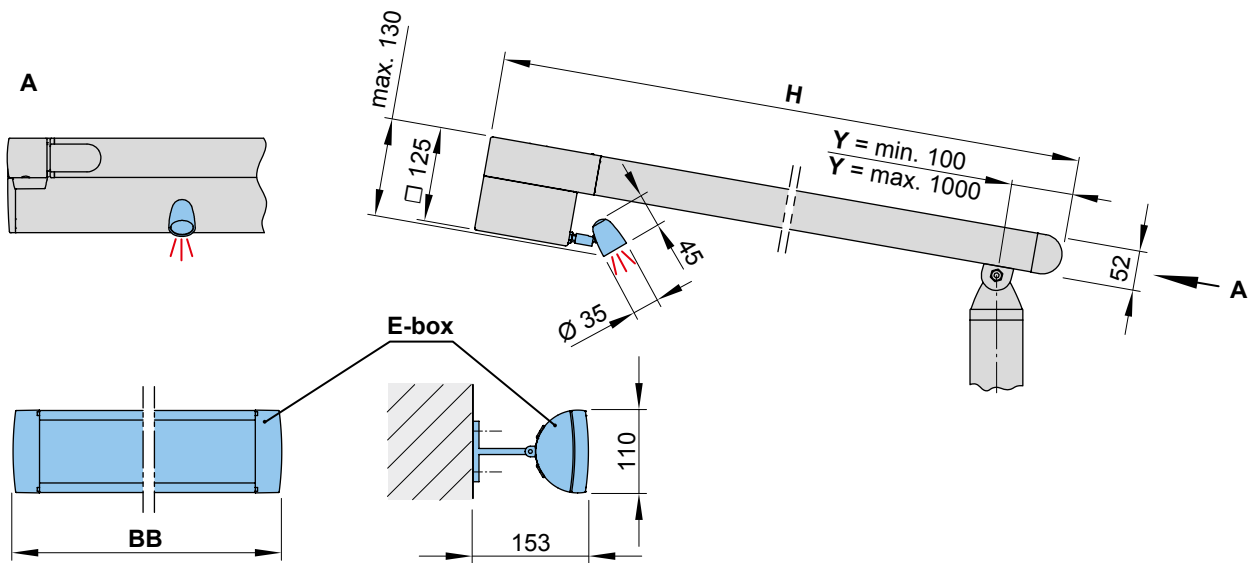
Z = distance from centre of 1st to centre of second cover support tube

dimensions in mm

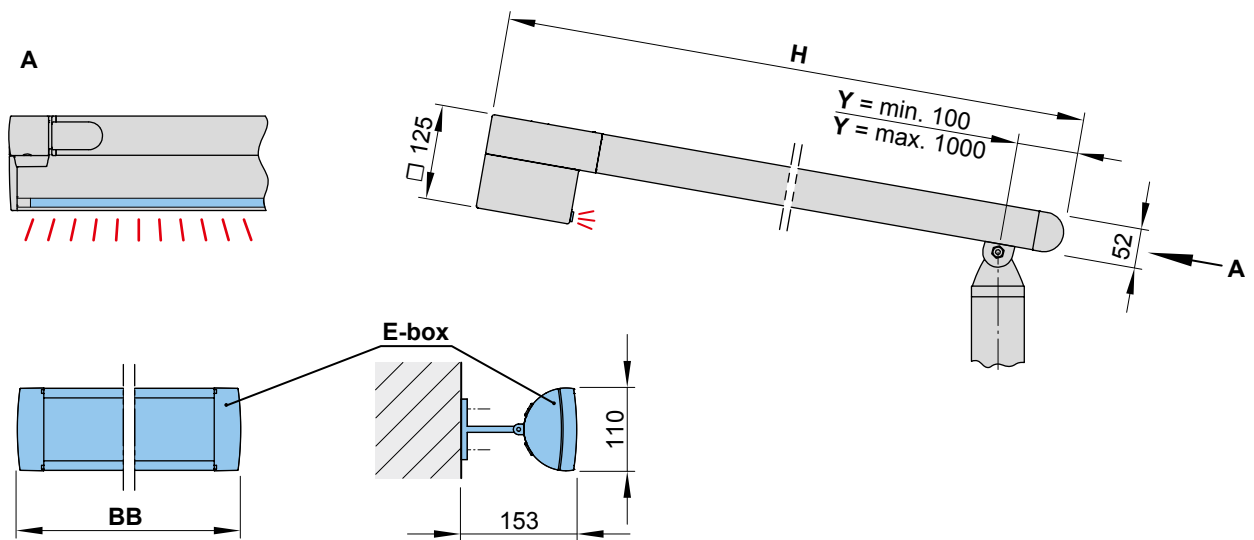
01 **Dimension overview with the various lighting options**

02 Option 6: LED-Spots fitted to the cassette (can be combined at will with options 1-9), electronic components in an E box or in the cover support tube

03



Option 7: LED-Spots in the cassette (can be combined at will with options 1-9), electronic components in an E box or in the cover support tube



BB = order width

E-box = see section "E-box"

H = order dimension = extension

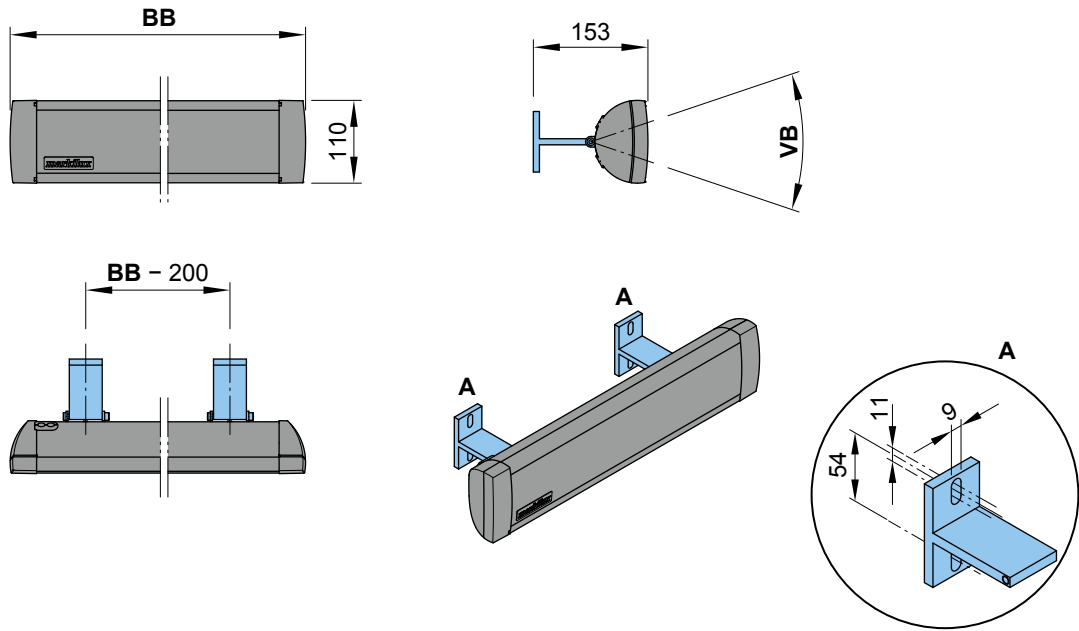
Y = distance from post centre to leading edge of front profile

dimensions in mm

# E-box

## Overview of dimensions

01  
02  
**03**  
04  
05



## Overview of dimensions and applications

wireless technology

Extension H

	RTS (433 MHz)		868 MHz io	
	< 330 cm	≥ 330 cm	< 330 cm	≥ 330 cm

### Lighting options

LED-Line below the guide tracks	E-box M <b>71850.</b> BB = 500 mm	E-box G <b>71873.</b> BB = 700 mm	
LED-Spots attached to the cassette or LED-Line recessed into the cassette	E-box M 71850. BB = 500 mm		
LED-Line below the guide tracks and LED spotlights attached to or LED-Line recessed into the cassette	E-box G 71873. BB = 700 mm	E-box L 71874. BB = 1200 mm	

individual use

**E-box I 71851.BB = ordered to size**

BB = order width

VB = adjustment range

dimensions in mm

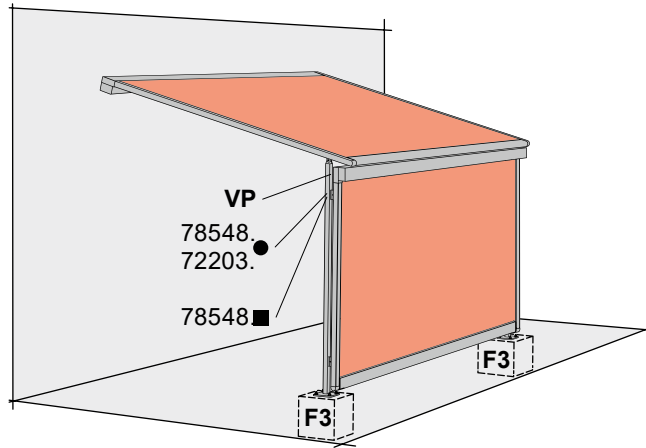


01  
02  
03  
04  
05

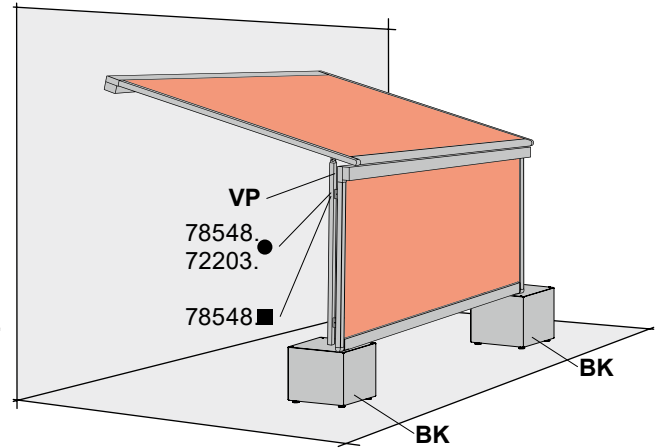
## Combination Possibilities

Example with markilux 776 tracfix / 876 tracfix (optionally with panorama window)

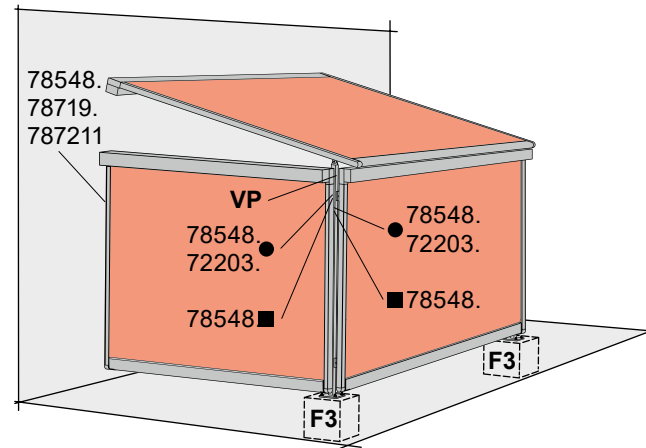
Vertical cassette blind at the front



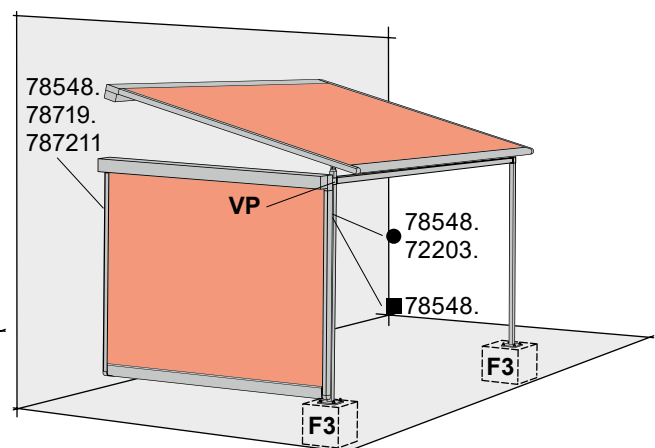
Installation of a vertical cassette blind at the front, support posts with stabilisation boxes



Installation of a vertical cassette blind both to the side and at the front



Installation of a vertical cassette blind to the side and stabilising cross bar between support posts



**N.B!** The installation of a vertical cassette blind to the side is only allowed, if either a stabilising cross bar or another vertical cassette blind is installed between the support posts.

The combination of markilux pergola compact with vertical cassette blinds is only permitted if two fixed posts are used.

### Further possible combinations

- markilux 790 at the side (cover optionally with angled top edge)
- markilux 790 at the front between support posts
- pergola compact fitted to the markilux syncra or markilux construct
- other possible combinations may be available on request

**72203.** = post fixture guide track (round support post)

**78548.** = flat track brackets

**78719.** = additional angled bracket, bearing / gearbox / motor side

**787211** = accessories for two angled brackets

**BK** = stabilisation boxes (600 × 600 × 525 mm)

**F3** = concrete foundation – please view section “Concrete foundations”

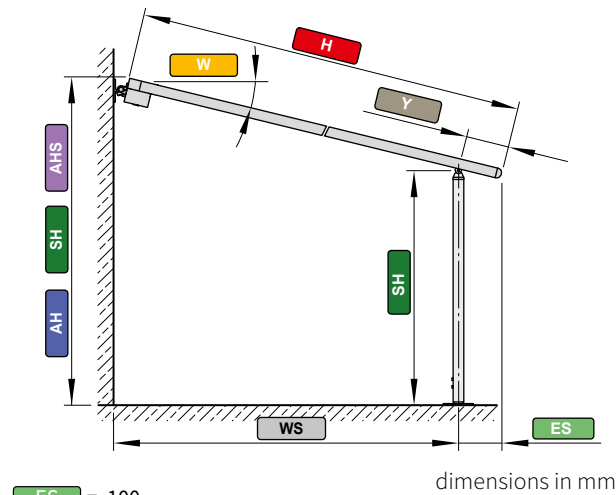
**VP** = cross bar

● = round post

■ = square post

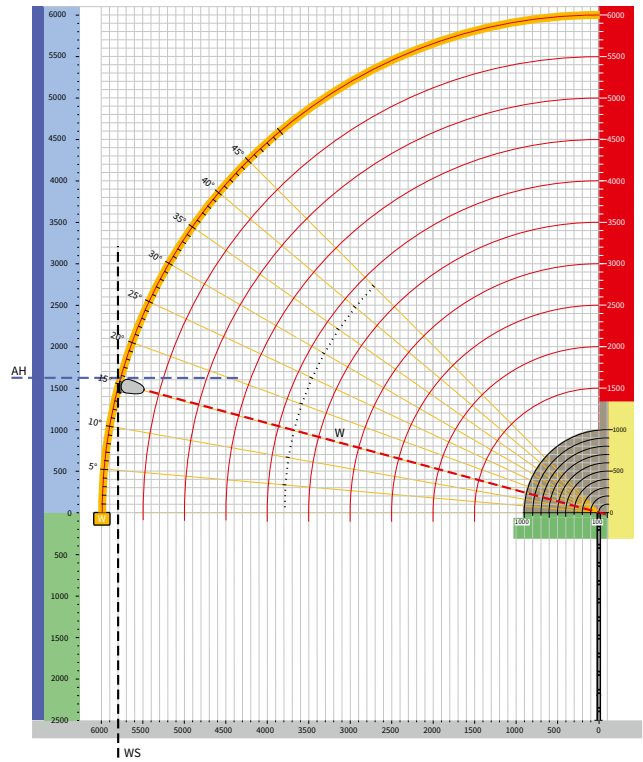
# Calculation of the approximate fixture height, examples

Example 1: front support posts pushed as far forward as possible, Y = 100 mm

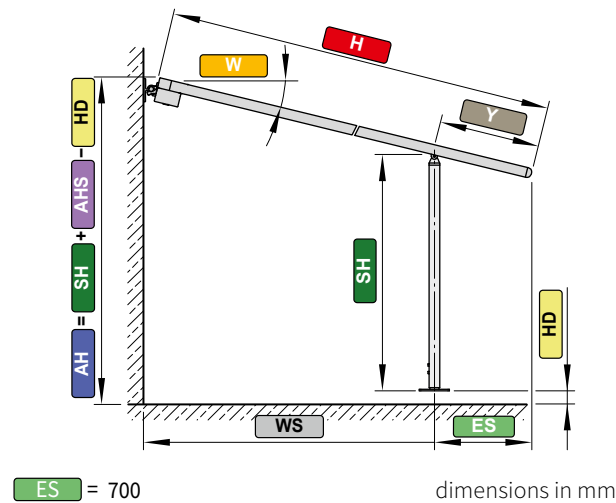


- ES = 100
- W = 15°
- H = 6000
- WS = 5800
- Y = 100
- SH = 2500
- AHS = 1620
- AH = SH + AHS = 2500 + 1620 = 4120

dimensions in mm

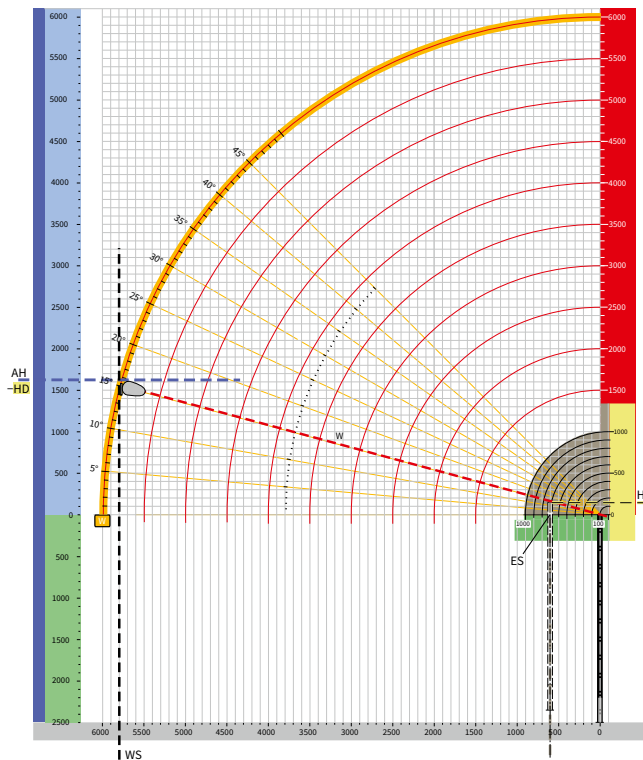


Example 2: front support posts pushed back, Y ≥ 100 mm and ≤ 1000 mm



- ES = 700
- W = 15°
- H = 6000
- WS = 5200
- Y = 700
- HD = 130
- SH = 2500
- AHS = 1620
- AH = SH + AHS - HD = 2500 + 1620 - 130 = 3990

dimensions in mm



- ES = end of the guide track - centre of support post
- W = pitch
- H = extension

- WS = distance from wall ↔ support post
- Y = distance from post centre to leading edge of front profile
- HD = difference to the fixture height

- SH = support post height, standard 2500 mm
- AHS = fixture height from the top edge of the support post
- AH = fixture height

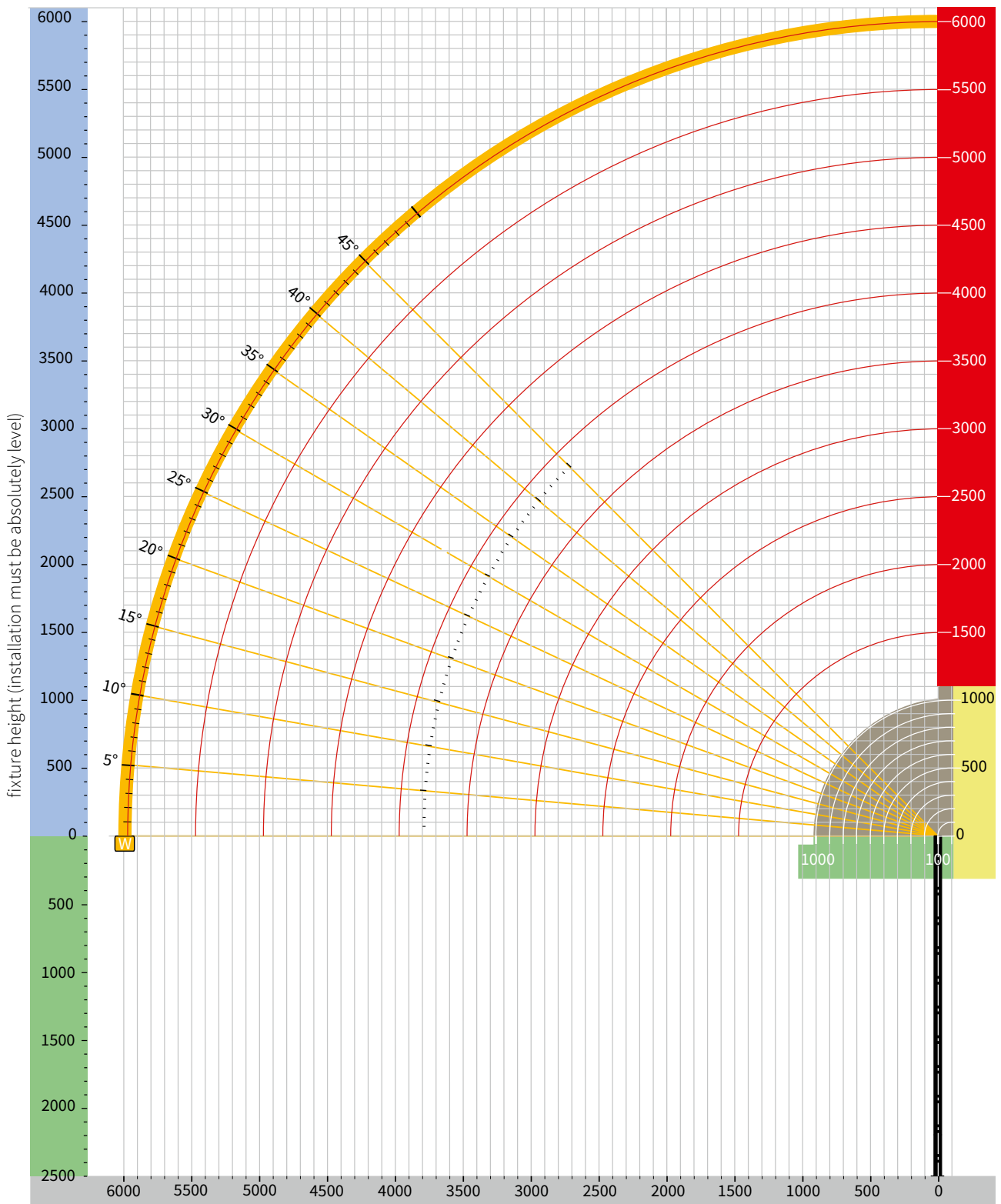
01 **Calculation of the approximate fixture height**

02 Drawing template

03

04

05



**N.B!** An on-line tool to calculate the installation measurements can be found in the protected area of the website, markiluxPRO.

dimensions in mm