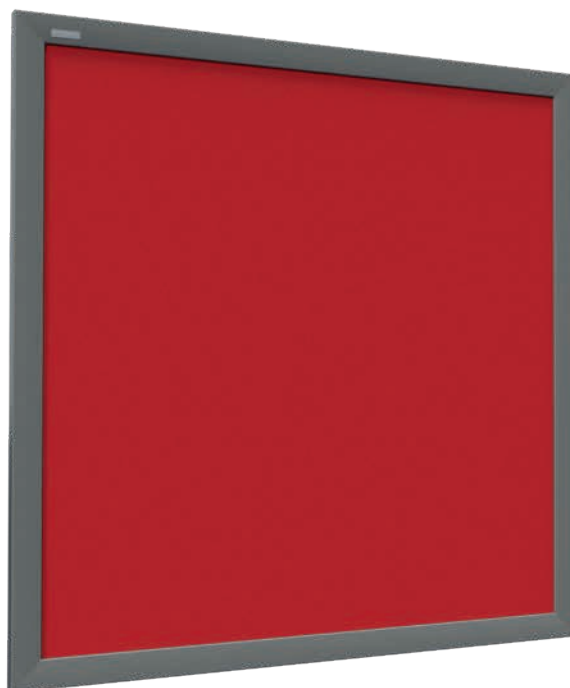
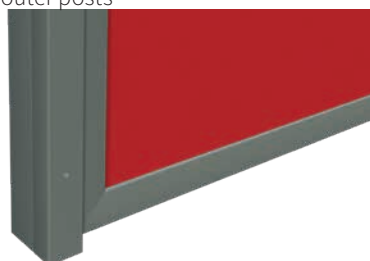


Base frame



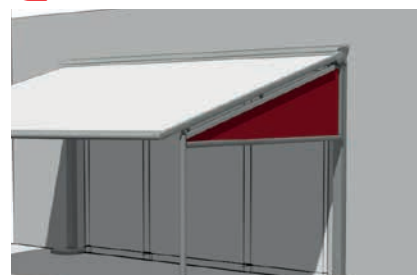
1 markilux format fixed stand with outer posts



1 markilux format clamping holder



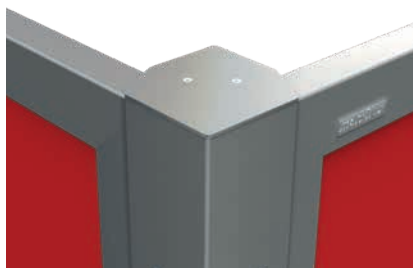
1 markilux format triangle



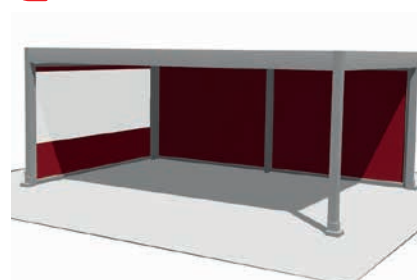
1 Intermediate post markilux format fixed stand with cover



1 Corner post format fixed stand with corner cover



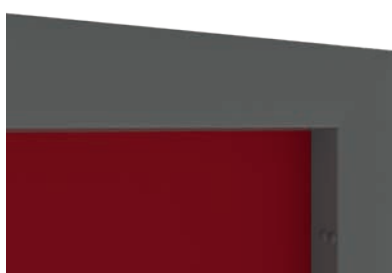
1 markilux format to markilux markant



1 Profile cross section markilux format base frame



1 Detail frame side



1 Detail cover side

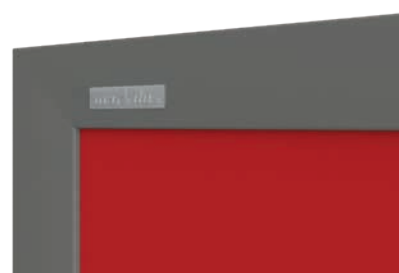


Table of contents

	Page
markilux safety instructions	3
1 Dimension overviews	5
1.1 markilux format base frame	5
1.2 markilux format clamping holder.....	6
1.3 markilux format fixed stand	7
1.4 markilux format markant	10
1.5 markilux format triangle	11
1.6 markilux format freestanding	12
1.7 markilux format slide	14
1.8 markilux format slide to markilux markant.....	16
2 Assembly overview	17
3 Installation markilux format	18
3.1 Installation markilux format base frame	18
3.2 Frame installation markilux format	20
3.3 Installation markilux format fixed stand.....	21
3.4 Installation markilux format to markilux markant.....	22
3.5 Installation markilux format triangle	23
3.6 Installation markilux format freestanding	24
3.7 Installation markilux format slide using markilux markant as an example	24

Instructions for installation, operation, motor and controls can be accessed at any time in the password-protected specialist partner area markiluxPRO. This also includes interactive handover declarations and maintenance contracts.

Explanation of the signal words



DANGER

Marks an imminent danger that leads to death or serious injuries.



ATTENTION

Marks important information that must be taken into account.



WARNING

Marks a possible imminent danger from **electrical current** that can lead to death or serious injuries.

markilux safety instructions

Important instructions for installing markilux format

1. Who is authorised to install markilux format?

The markilux installation instructions are to a qualified mechanic who has skilled knowledge in following domains:

- Occupational and operational safety and accident prevention regulations
- Handling of ladders and scaffoldings
- Handling and transport of long and heavy component parts
- Handling of tools and machines
- Fixture device placement
- Assessment of building materials
- Commissioning and operation of the product

If any one of these qualifications is not existent, a qualified installation firm must be engaged. We recommend installation to be carried out by at least two, with larger elements by three persons.

2. Prior to installation, please check ...

- does the number and type of fixture brackets match the order,
- is the mounting surface suited for safe installation.

If irregularities which may affect the safety of the unit or its users are determined, then the installation must not be undertaken.

3. Reading and transfer of the instructions

The security and attachment notes as well as the operation manuals are to be read and observed!



The user must be informed thoroughly about the safety and usage instructions of markilux format. Non-compliance and incorrect operation can lead to damage to the product and to accidents.

4. Intended use

markilux format is a protection from wind and sun and must only be used as such. Alterations such as extensions or conversions which are not intended by the manufacturer may only be carried out with the manufacturer's written approval.

Additional load of the markilux format by hanging objects or tensioned ropes can lead to damage and are therefore not permitted.

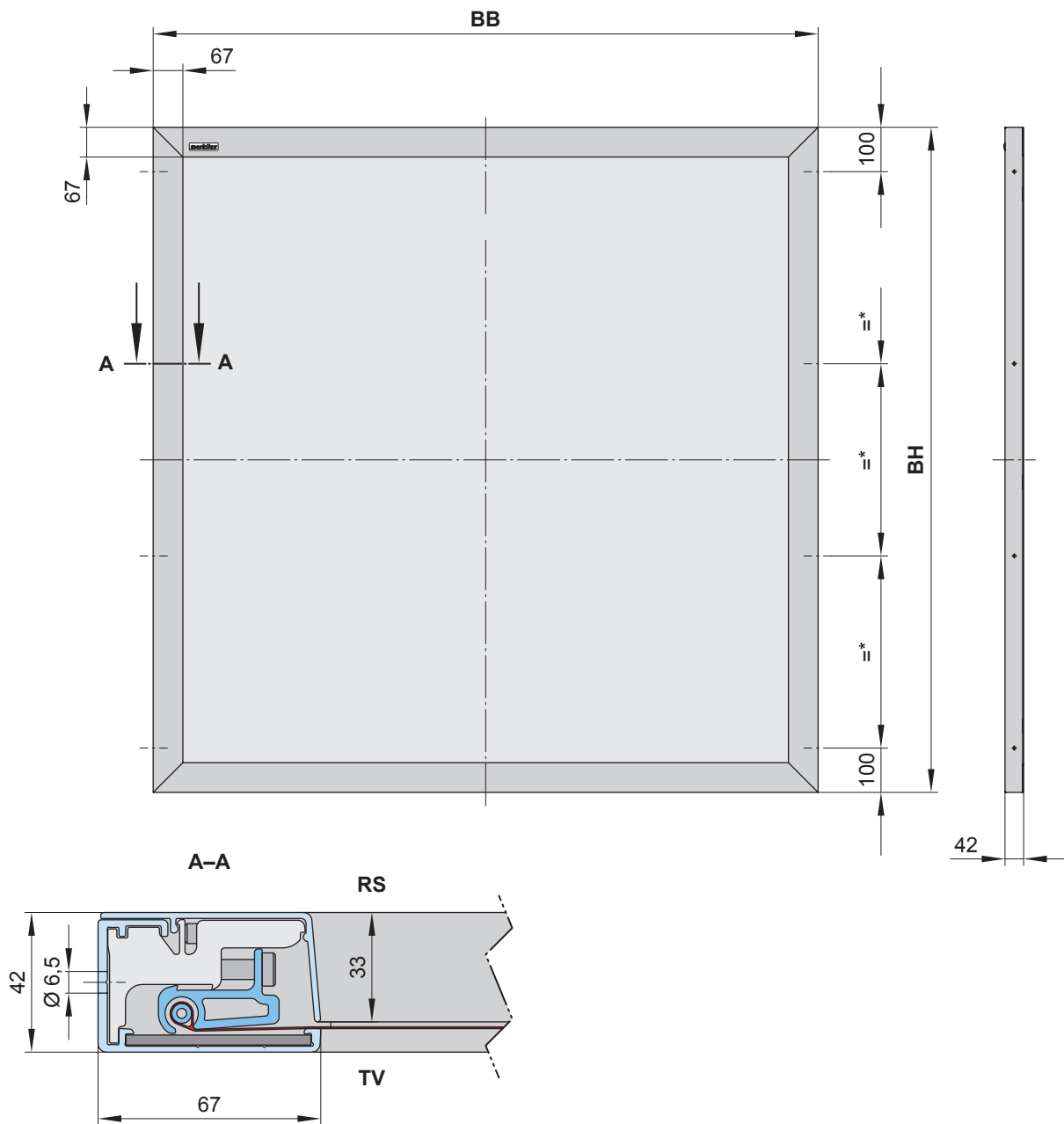
markilux format must not be exposed to high temperatures, strong vibrations or shocks or strong mechanical load.

5. Legal disclaimer

The graphics and text sections in these instructions have been created with care. No liability can be assumed for any errors and their effects! We reserve the right to undertake technical modifications to the product and to these instructions! The instructions contain copyright-protected information. All rights reserved! The listed product or trade names are copyright trademarks.

1 Dimension overviews

1.1 markilux format base frame



dimensions in mm

Drilled holes lateral installation

BH ≤ 1 m 2 drilled holes

BH ≤ 1.5 m 3 drilled holes

BH ≤ 2 m 4 drilled holes

BH ≤ 2.5 m 5 drilled holes

Drilled holes installation top and bottom

BB ≤ 1 m 2 drilled holes

BB ≤ 1.5 m 3 drilled holes

BB ≤ 2 m 4 drilled holes

BB ≤ 2.5 m 5 drilled holes

BB ≤ 3 m 6 drilled holes

* = even drill hole distribution

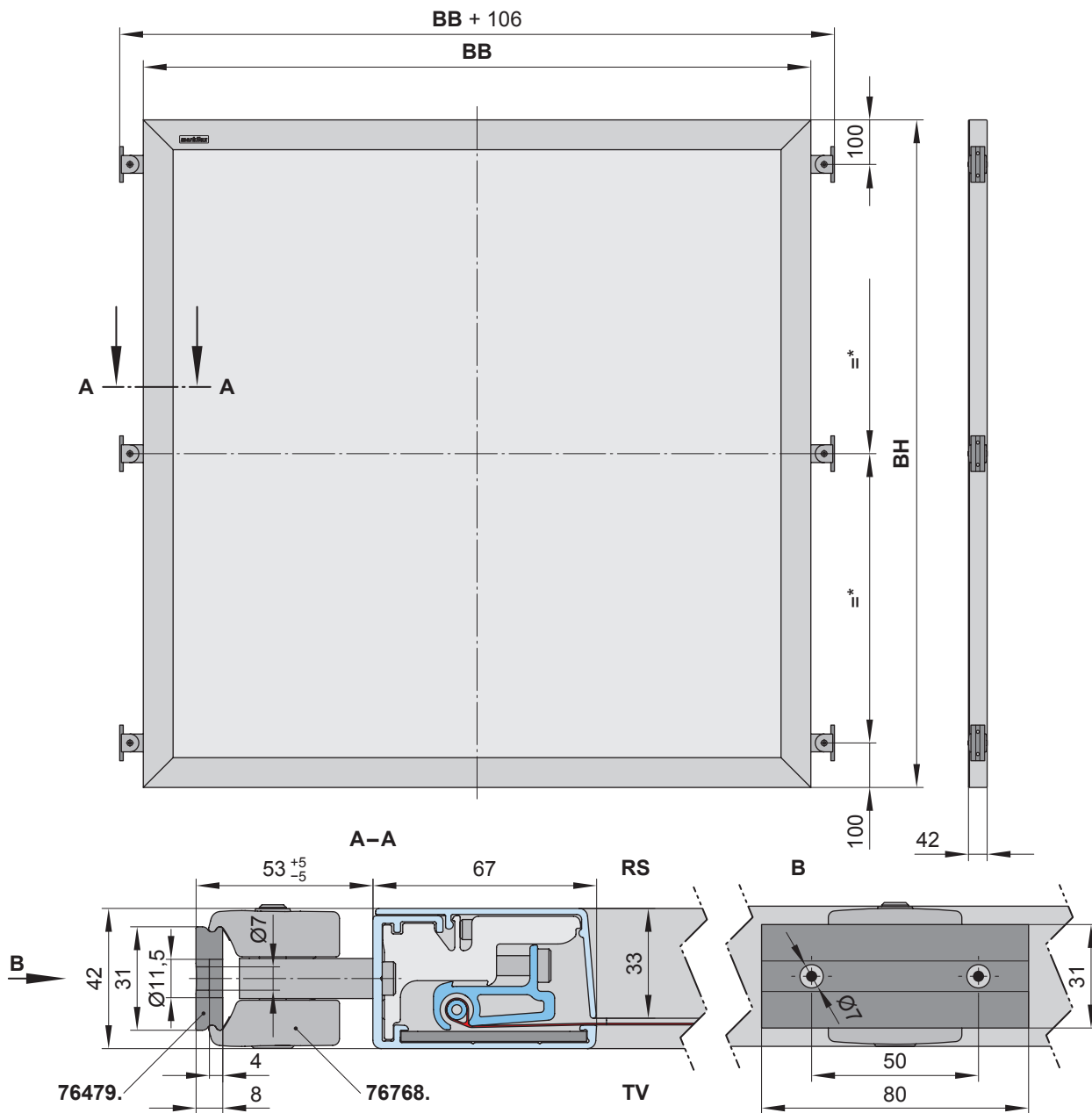
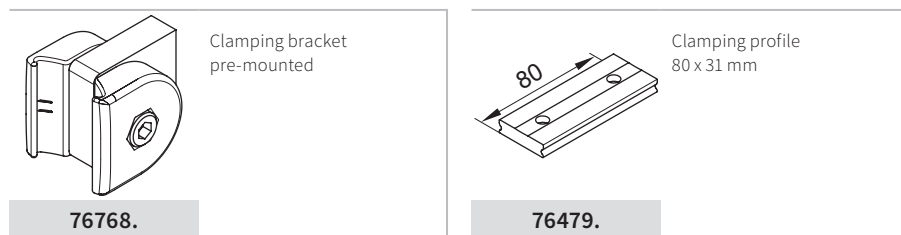
BB = Order width

BH = Order height

RS = Frame side

TV = Cover side

1.2 markilux format clamping holder



dimensions in mm

Number of clamping brackets for lateral installation

- BH ≤ 1 m 2 brackets
- BH ≤ 2 m 3 brackets
- BH ≤ 2.5 m 4 brackets

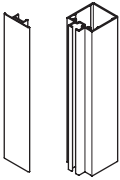
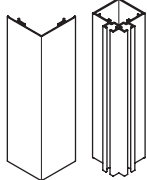

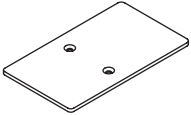
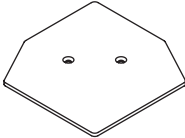


Number of clamping brackets for installation top and bottom

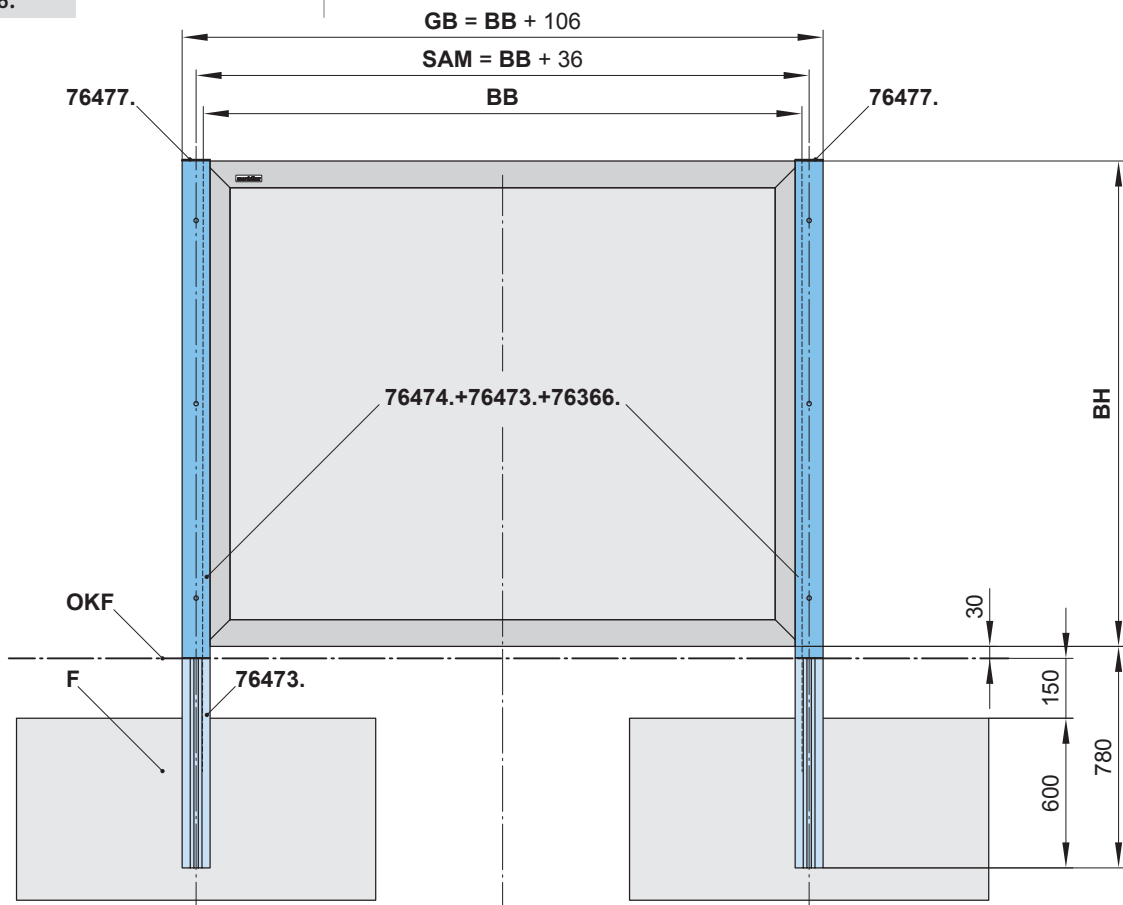
- BB ≤ 1 m 2 brackets
- BB ≤ 2 m 3 brackets
- BB ≤ 3 m 4 brackets

- * = uniform distribution of fastening
- BB = Order width
- BH = Order height

- RS = Frame side
- TV = Cover side

1.3 markilux format fixed stand

 <p>Cover and posts</p> <p>76474. + 76473.</p>	 <p>Corner cover and 90° corner post</p> <p>76476. + 76475.</p>	
 <p>Cover plate for posts</p> <p>76477.</p>	 <p>Cover plate for 90° corner posts</p> <p>76478.</p>	 <p>Steel core for posts, depending on size, from order height 100 cm</p> <p>included in the scope of delivery</p> <p>763191</p>
 <p>Side panel for posts</p> <p>76366.</p>		



dimensions in mm

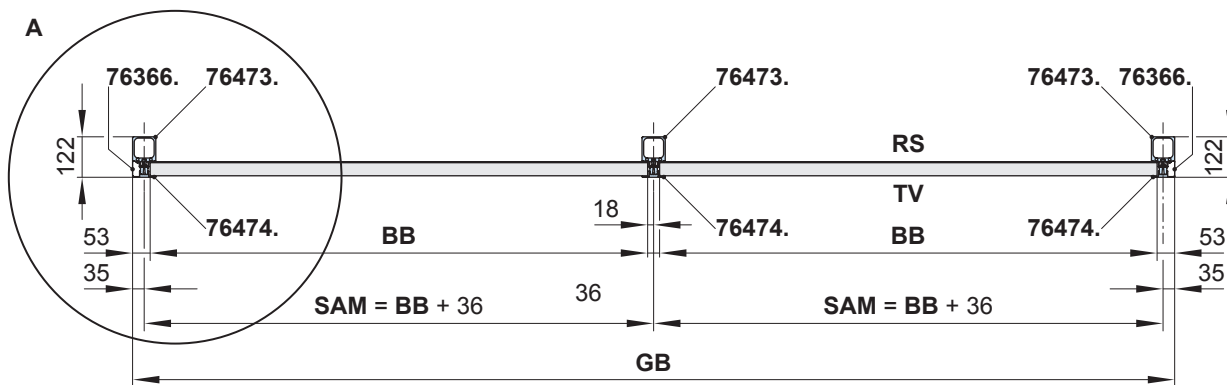
The posts are designed for dynamic pressure of 585 N/m², wind load zone 2, mixed profile 2 and 3 (inland). This corresponds to a wind speed of 24.5–28.4 m/s, Beaufort 10.

The local conditions (wind load zones, terrain category, etc.) must be taken into consideration when designing the footing size.

- BB** = Order width
- BH** = Order height
- F** = Foundations

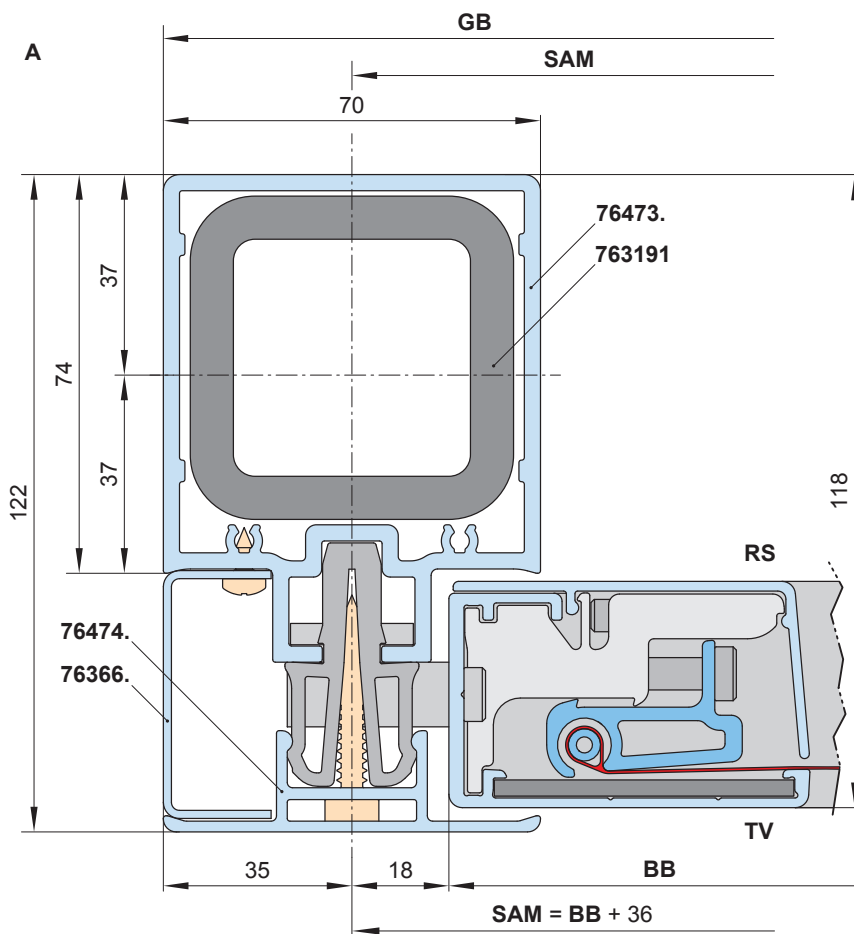
- GB** = overall width
- OKF** = above ground
- SAM** = Post fixture width

In a row



dimensions in mm

Cross section 76473. Posts with 76366. Side cover

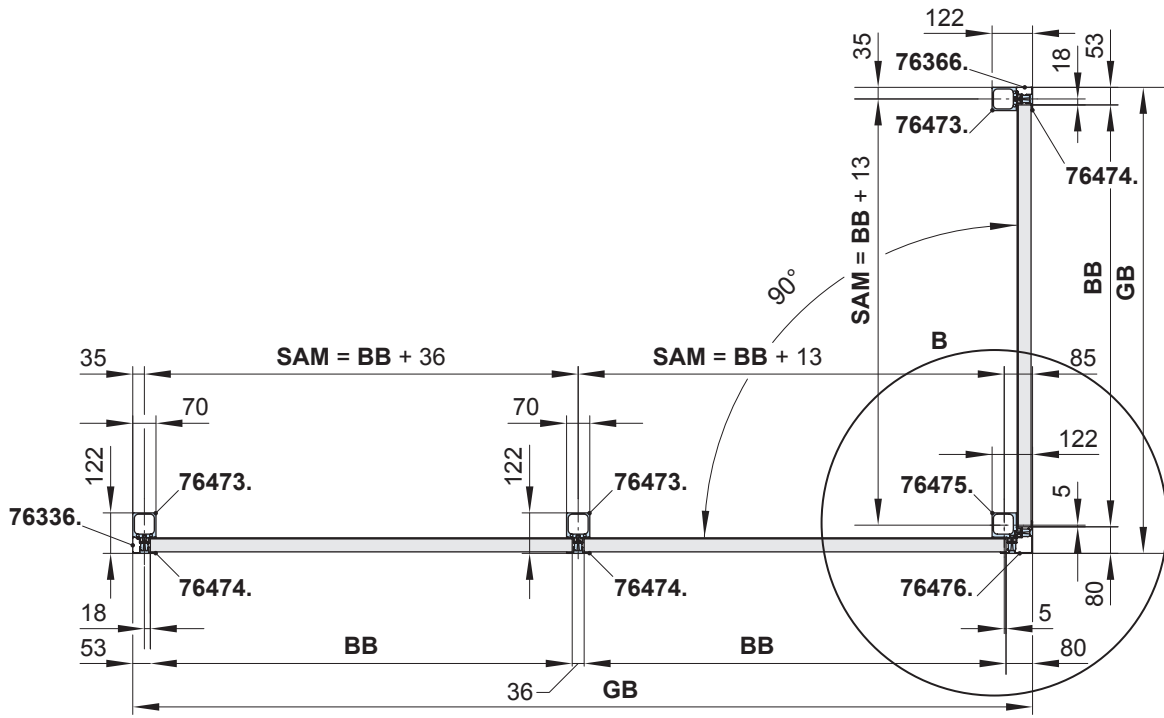


dimensions in mm

- BB = Order width
- BH = Order height
- RS = Frame side

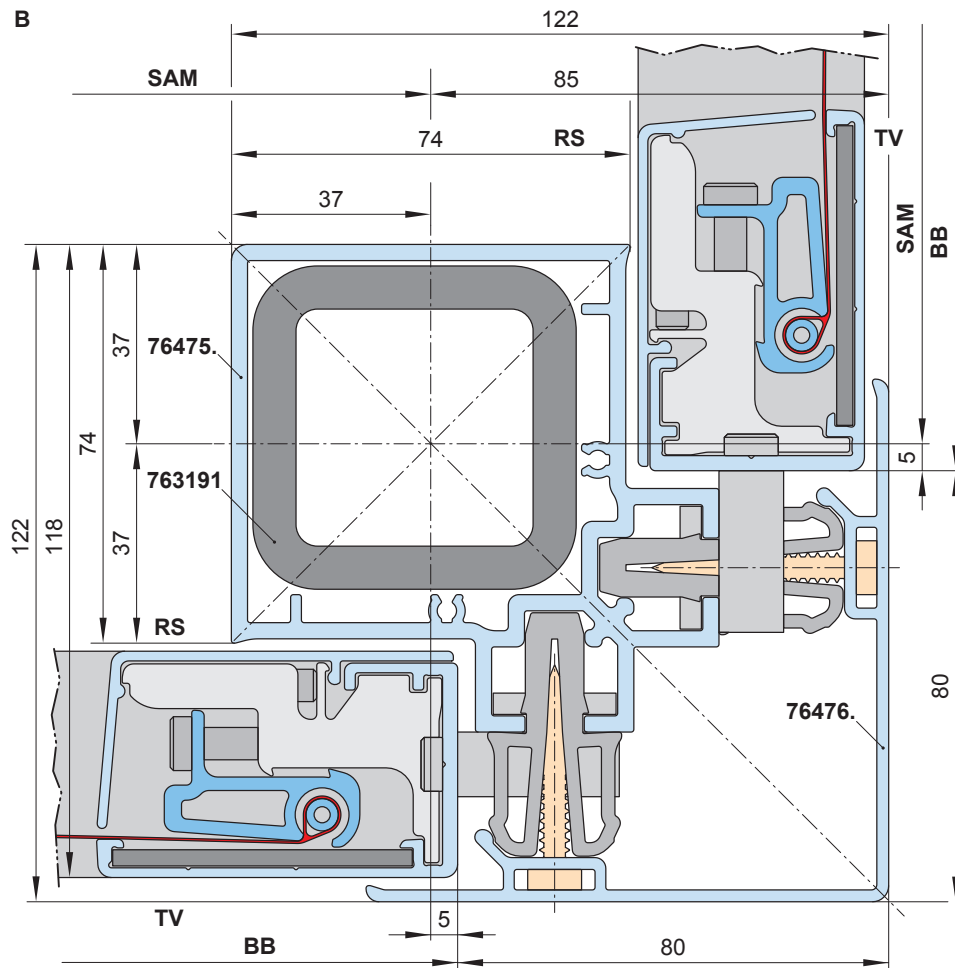
- SAM = Post fixture width
- TV = Cover side

90° corner



dimensions in mm

Cross section corner post with corner cover 76476.

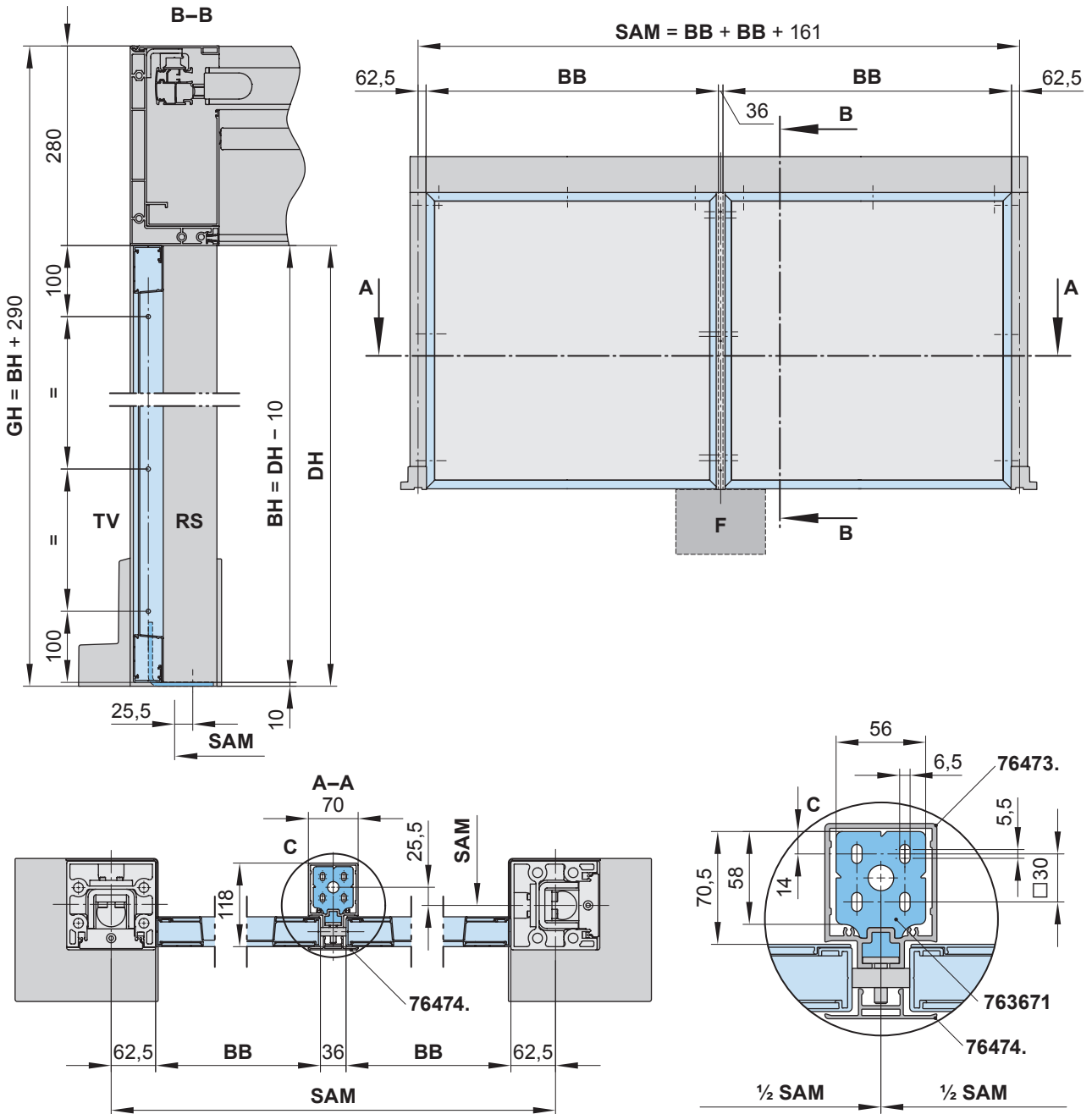
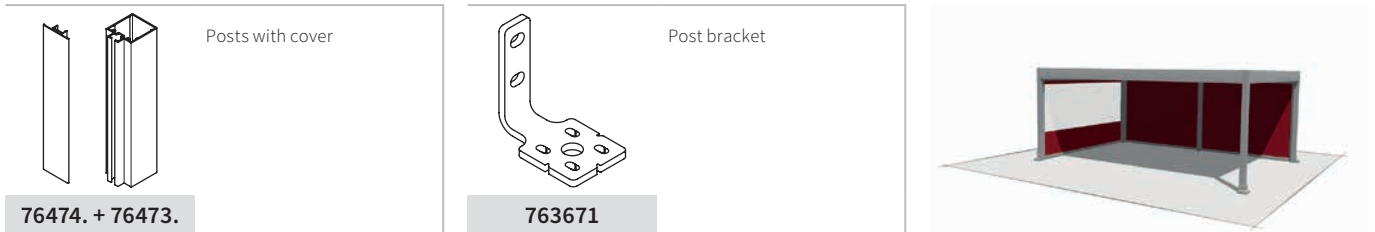


dimensions in mm

- BB = Order width
- BH = Order height
- RS = Frame side

- SAM = Post fixture width
- TV = Cover side

1.4 markilux format markant

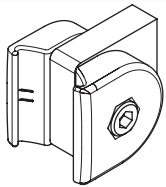


dimensions in mm

The local conditions (wind load zones, terrain categories etc.) must be taken into consideration when designing the footing size F of the central posts and its fixing material.

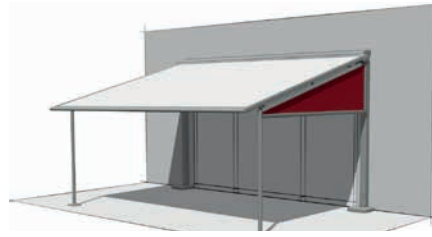
- BB** = Order width
- BH** = Order height
- DH** = walk-under height
- F** = Foundations
- GH** = Overall height markilux markant
- RS** = Frame side
- SAM** = Post separation markilux markant
- TV** = Cover side

1.5 markilux format triangle

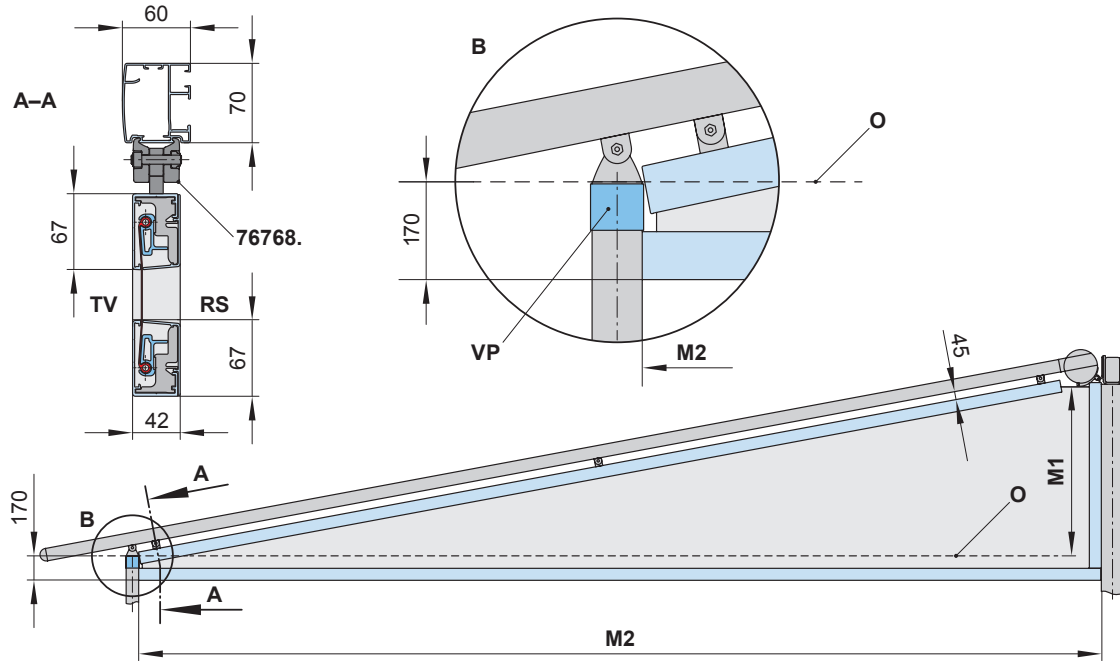


Clamping bracket pre-mounted

76768.

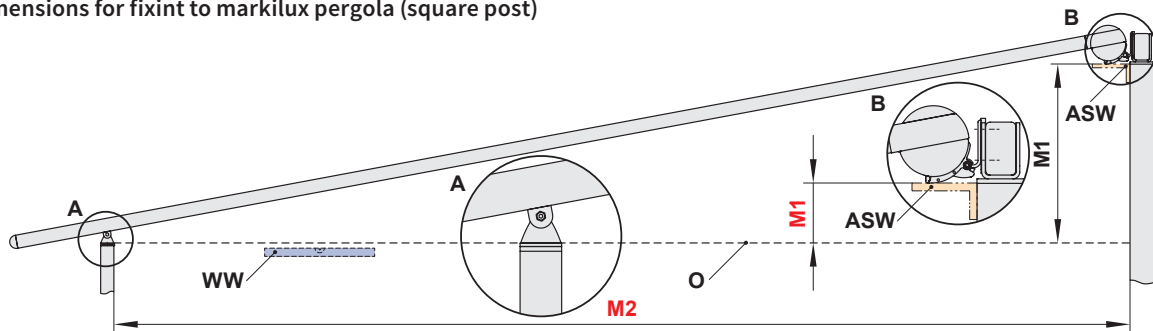


Installation situation



dimensions in mm

Order dimensions for fixint to markilux pergola (square post)



Order dimensions in cm

Attention: Precise dimension specifications require after installation of the markilux pergola. Each markilux format triangle is manufactured individually and customised and checked for feasibility before order acceptance. The factory manufactory drawing must be approved in writing.

The installation of markilux format to markilux pergola is only permitted on the side in triangular versions for static reasons! In this case, a reinforcement profile must be installed between the pergola posts.

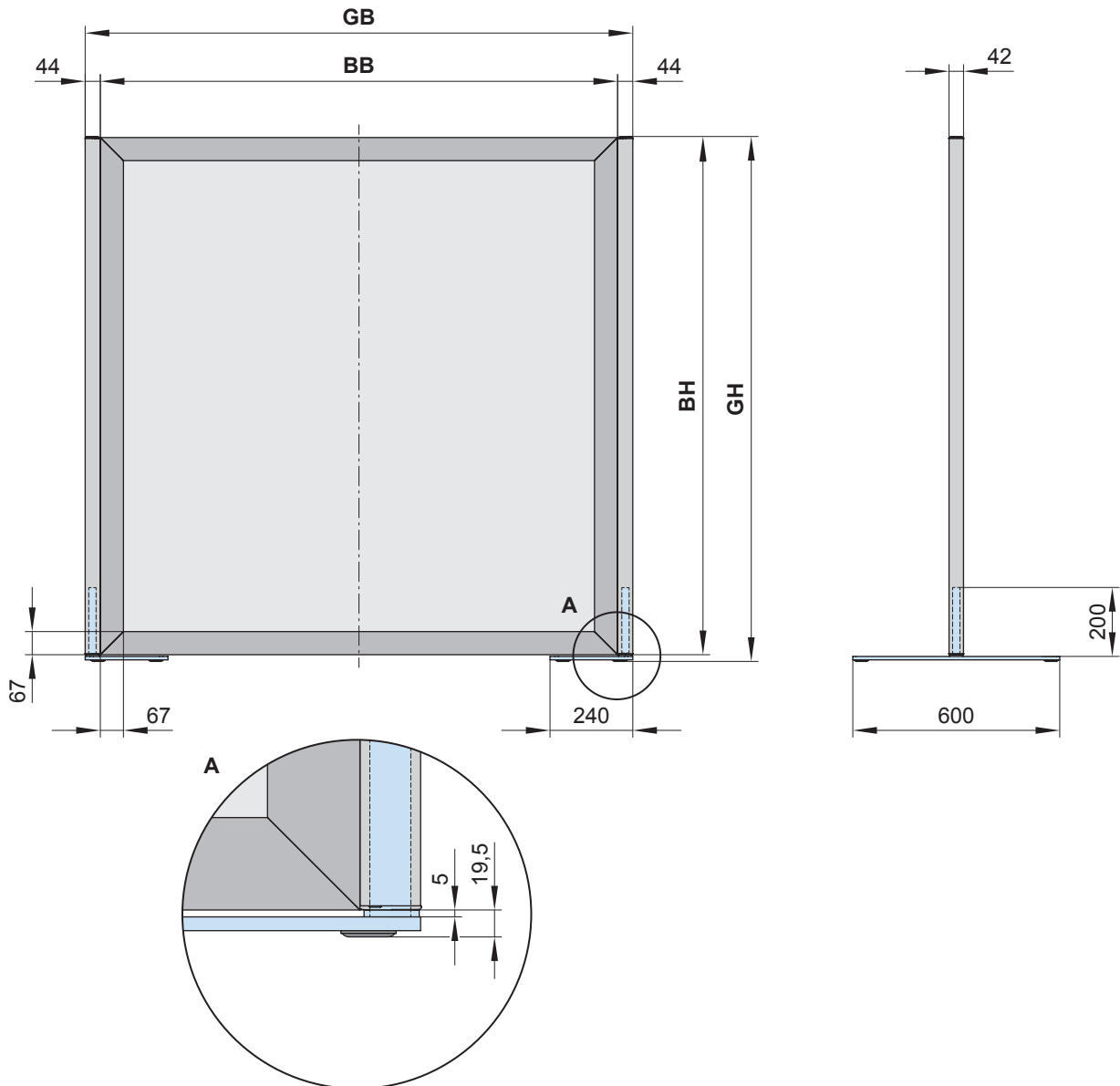
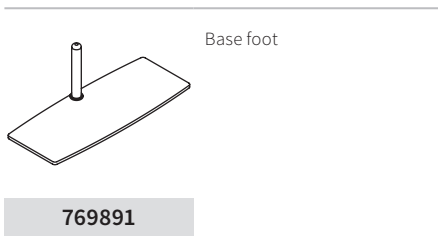
The markilux format triangle must only be used under the following conditions:

- location of the retracted markilux pergola in wind zone 1 or wind zone 2 (maximum dynamic pressure $q = 650 \text{ N/m}^2$)
- maximum permitted extension markilux pergola when using 1 x markilux format triangle : 6 m at max. 15° awning pitch
- maximum permitted extension markilux pergola when using 2 x markilux format triangle : 5.5 m at max. 15° awning pitch

- ASW** = Try square for precise measurement
- M1** = Order height
- M2** = Order width
- O** = Upper edge post markilux pergola
- RS** = Frame side

- SAM** = Post fixture width
- TV** = Cover side
- VP** = cross member
- WW** = horizontal dimension

1.6 markilux format freestanding



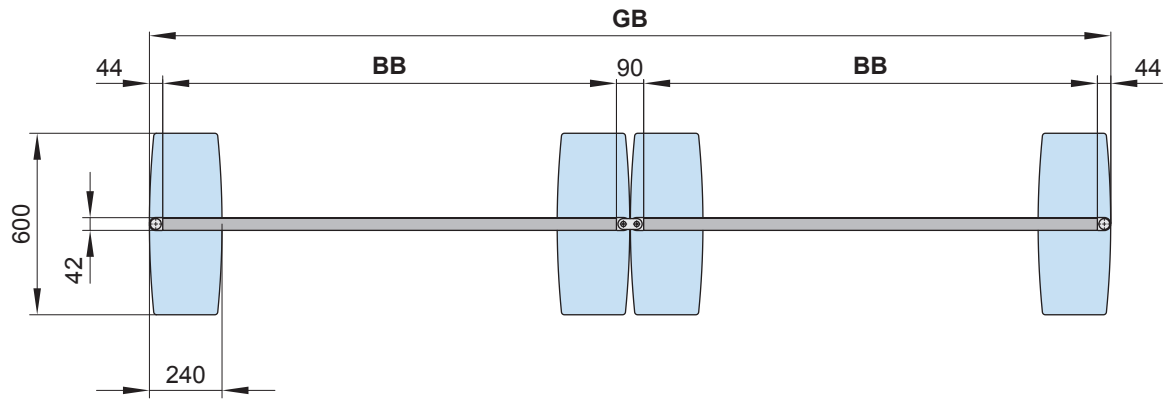
dimensions in mm

 This product is intended for use in interior areas and can be set up on level surfaces.

BB = Order width
BH = Order height

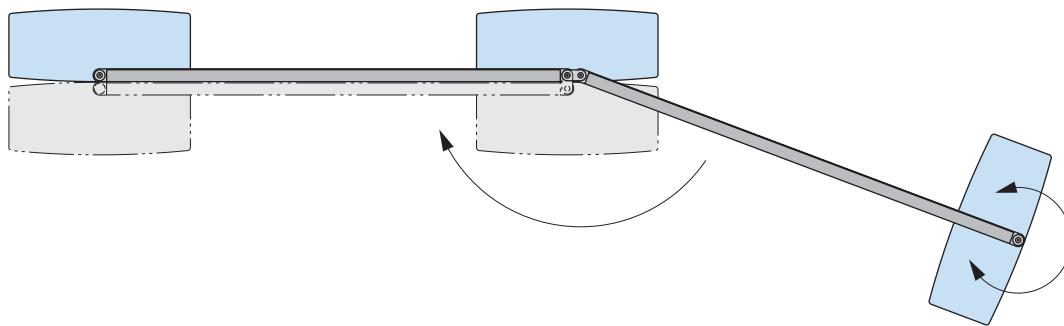
GB = overall width
GH = overall height

Elements in row



dimensions in mm

2 elements each can be folded

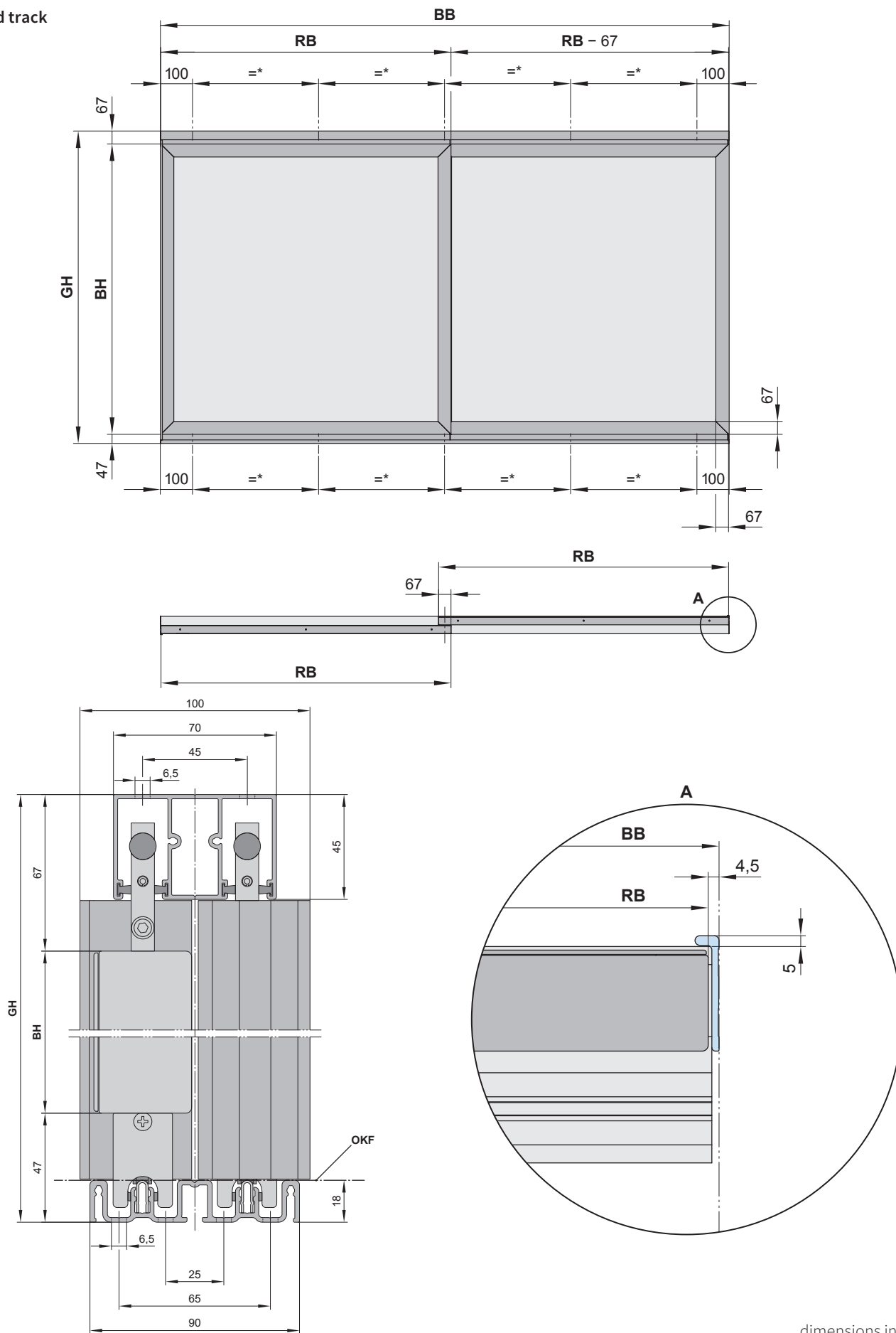


BB = Order width
GB = overall width

markilux.com

1.7 markilux format slide

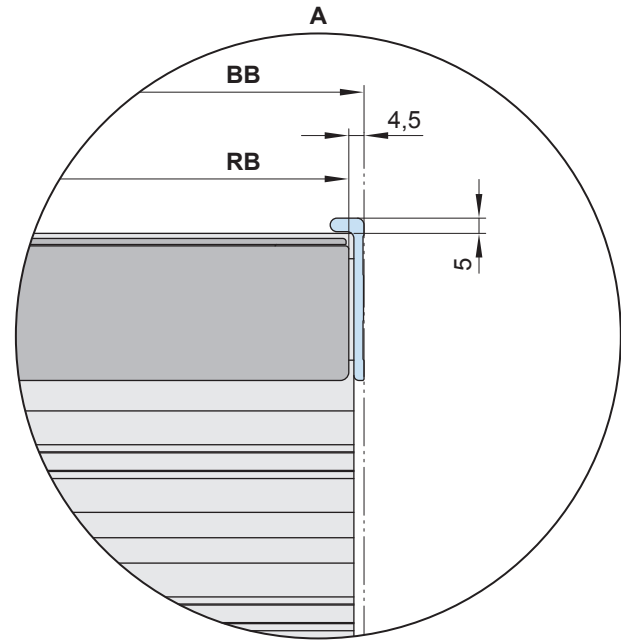
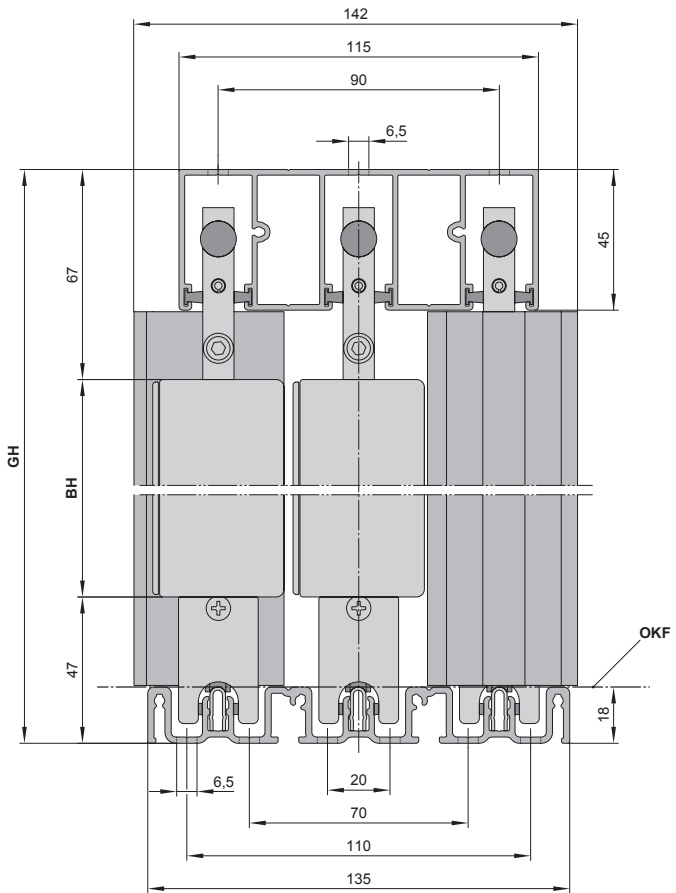
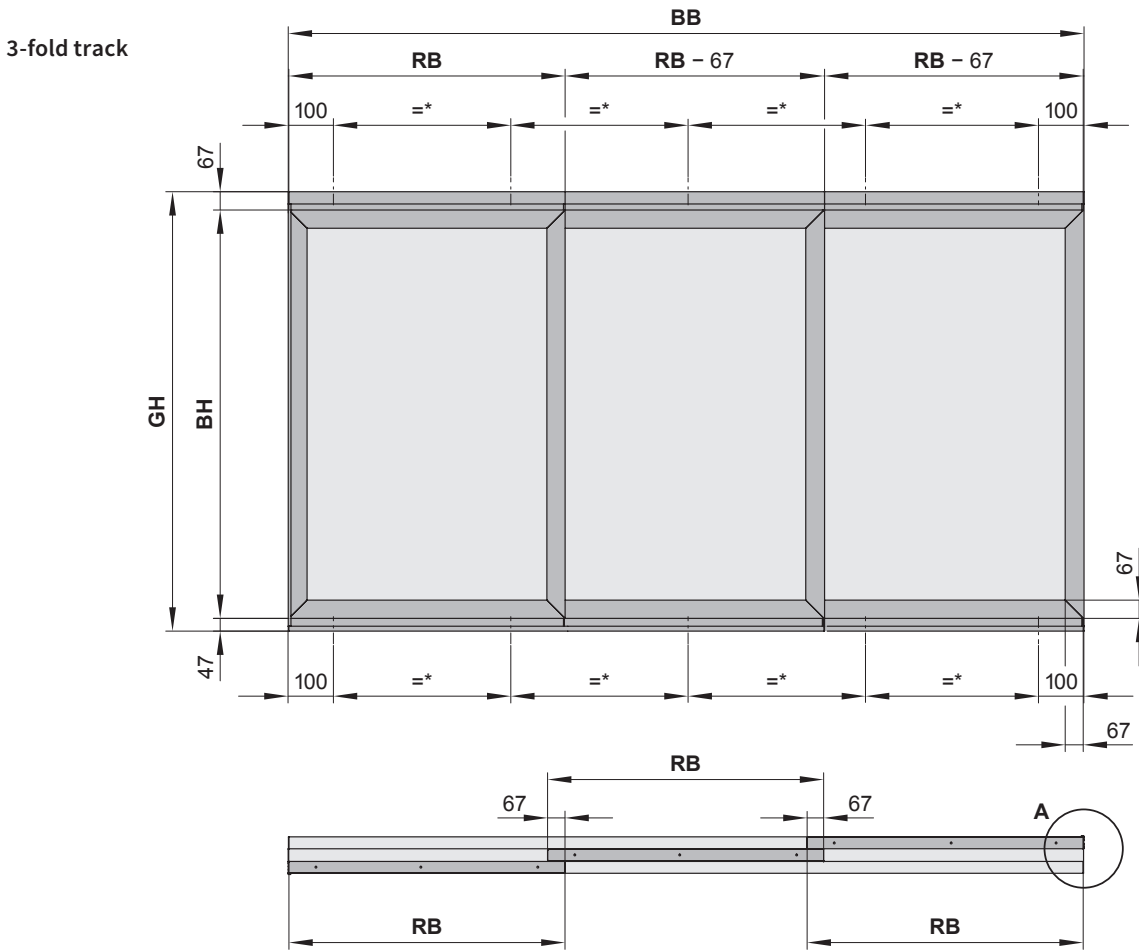
2-fold track



dimensions in mm

BB = Order width
BH = Order height

RB = Frame width
GH = overall height



dimensions in mm

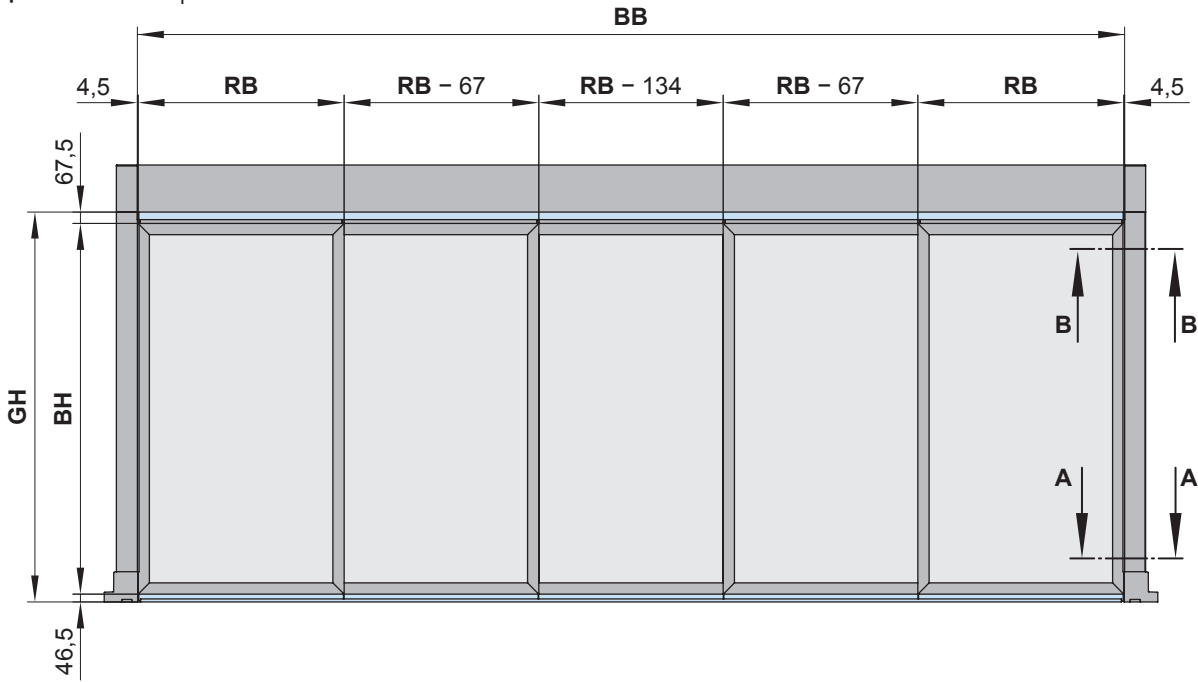
BB = Order width
BH = Order height

RB = Frame width
GH = overall height

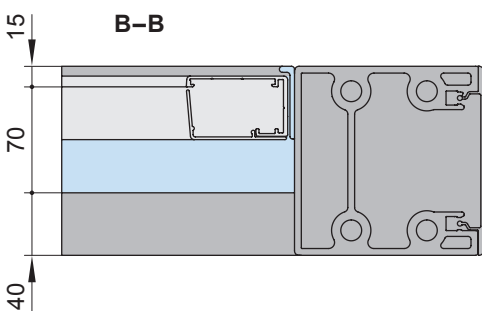
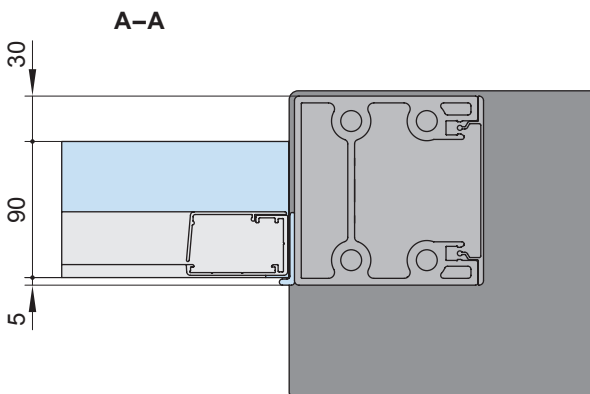
markilux.com

1.8 markilux format slide to markilux markant

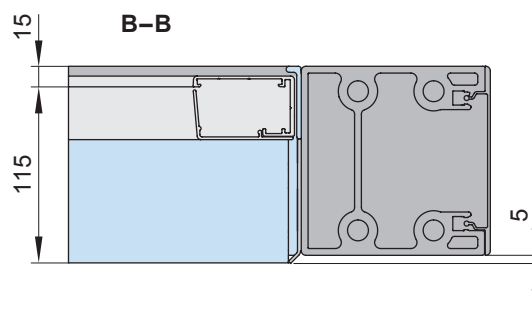
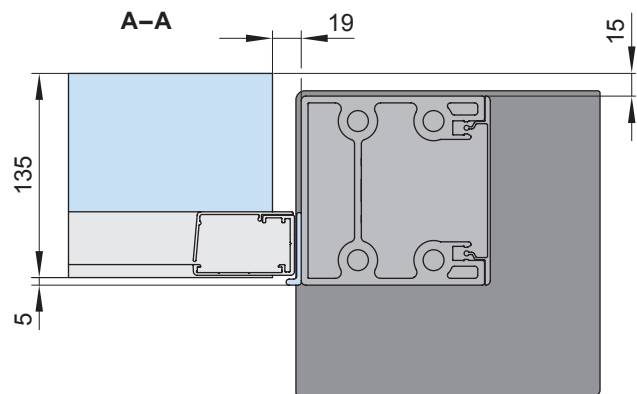
Example: 3-fold track | 5 format slide



2-fold track



3-fold track



dimensions in mm

no. of drill holes

Order width (BB)	Bores (Ø 6.5 mm)
≤ 200 cm	4
≤ 250 cm	5
≤ 300 cm	6

Order width (BB)	Bores (Ø 6.5 mm)
≤ 350 cm	7
≤ 400 cm	8
≤ 450 cm	9

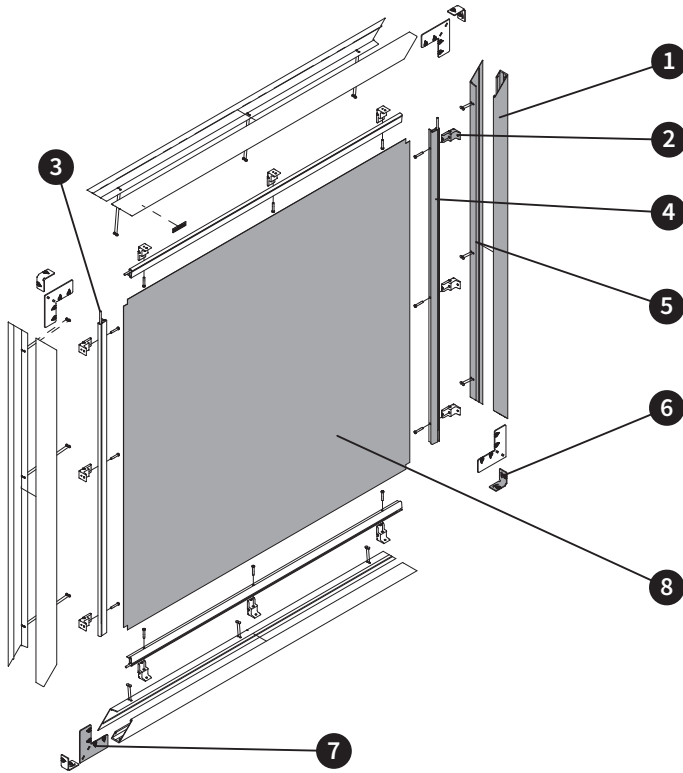
Order width (BB)	Bores (Ø 6.5 mm)
≤ 500 cm	10
≤ 550 cm	11
≤ 600 cm	12

BB = Order width
BH = Order height

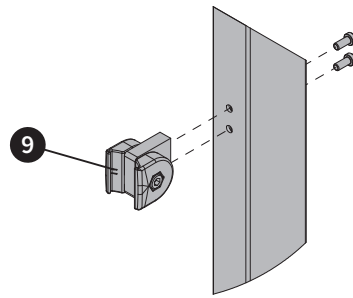
GH = overall height
RB = Frame width

2 Assembly overview

markilux format base frame

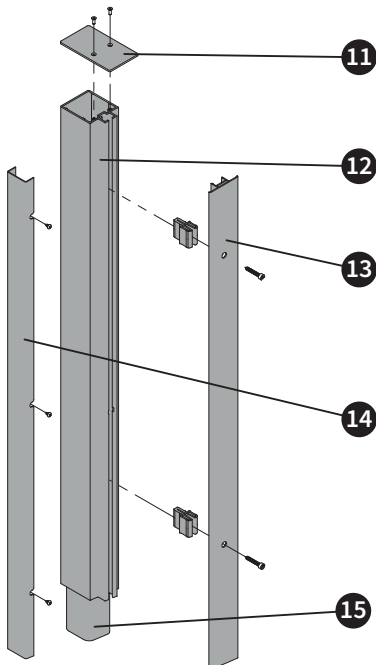


markilux format clamping holder

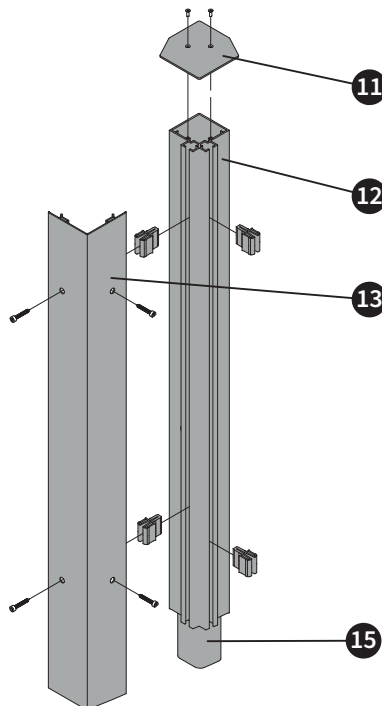


markilux format fixed stand

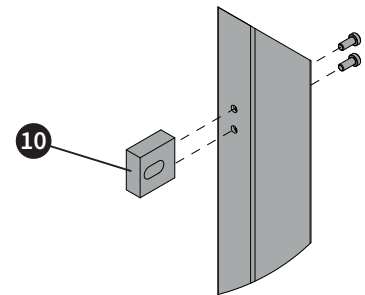
Posts



Corner post



Bracket for posts



- 1 = Frame profile
- 2 = Clamp
- 3 = Cover piping
- 4 = Clamping profile
- 5 = Gap cover profile
- 6 = Corner joints
- 7 = Gusset
- 8 = Cover

- 9 = Clamping bracket
- 10 = Bracket for posts
- 11 = Cover plate
- 12 = Posts
- 13 = Cover profile post
- 14 = lateral cover profile post
- 15 = Steel core

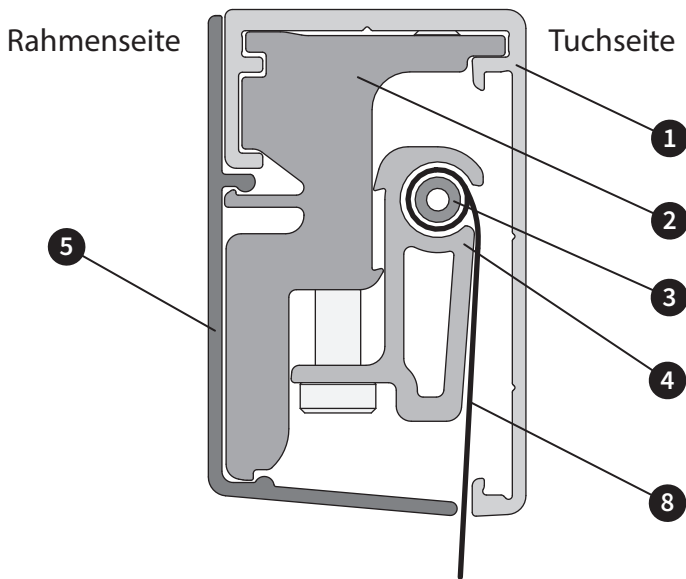
3 Installation markilux format

⚠ Attention!

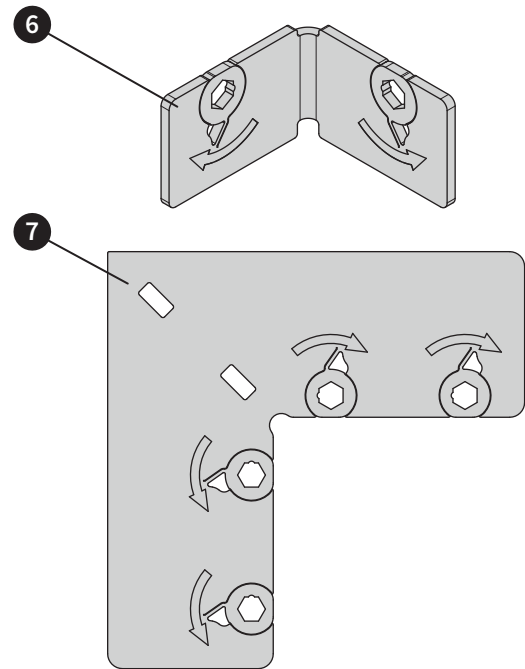
Important instructions for the installation

- The respective wind zones at the installation location must be observed.
- The installation is done from the frame side. The designations right, left, top and bottom are always seen from the frame side. The markilux logo is situated at the top frame profile (cover side).
- The final tensioning of the cover must always be done in direction of the fastening axle.

Cross section frame profile

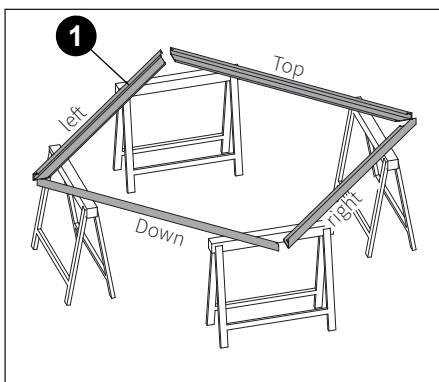


View corner joints

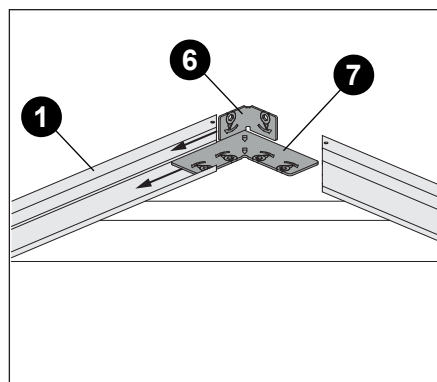


- | | |
|----------------------|-----------------------|
| 1 = Frame profile | 5 = Gap cover profile |
| 2 = Clamp | 6 = Corner joints |
| 3 = Cover piping | 7 = Gusset |
| 4 = Clamping profile | 8 = Cover |

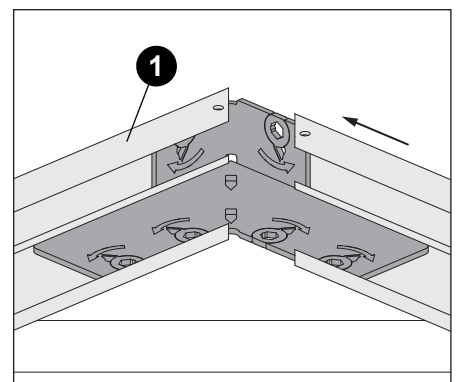
3.1 Installation markilux format base frame




1. Place the four frame profiles (1) matching one another on mounting blocks. The cover side is at the bottom.

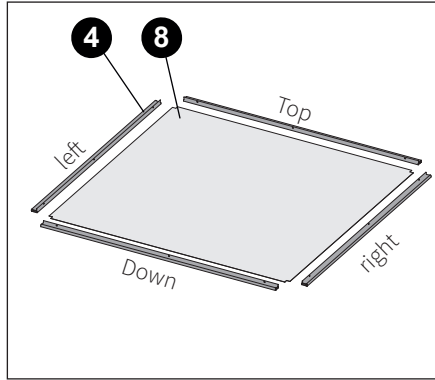


2. Push the corner joints (6) and gussets (7) on all four corners into the frame profiles (1). Pay attention to the correct position of the clamping discs and arrows.



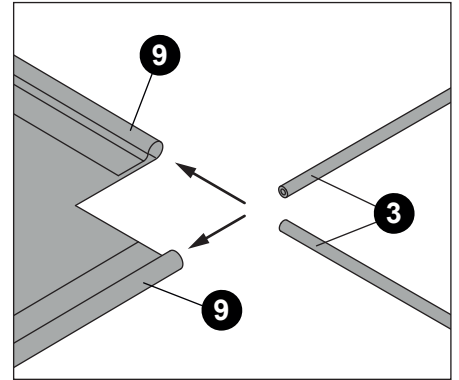
3. Plug together the frame profiles (1) and tighten all clamping discs with hexagon wrench (SW 8) in direction of the arrow. The frame profiles must be flush in relation to one another. There must be no gap between the profiles.

4.  For markilux markant or other frame installation, pay attention to chapter 3.2 or chapter 3.4.

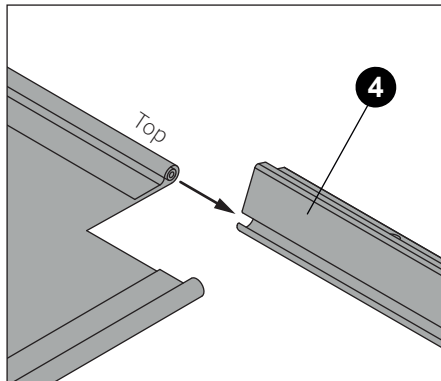


5. Spread the cover (8) on the floor and place the matching clamping profiles (4) next to it. The sewn-in label of the cover is at the bottom right as seen from the frame side.

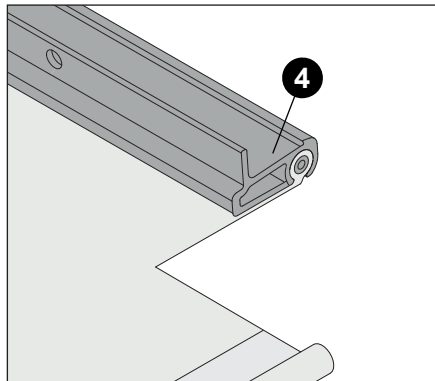
Place film underneath in order not to damage or dirty the cover.




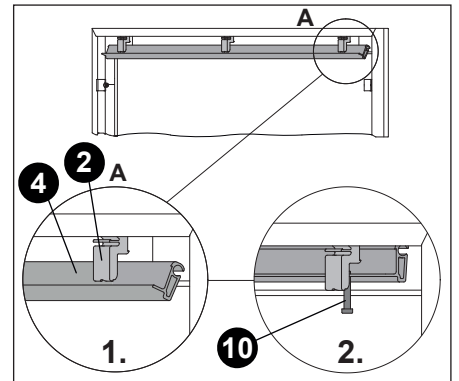
6. Push the cover pipings (3) on all four sides into the piping seams (9) of the cover.



7. Thread the **upper seam** of the cover into the piping channel of the clamping profile (4).

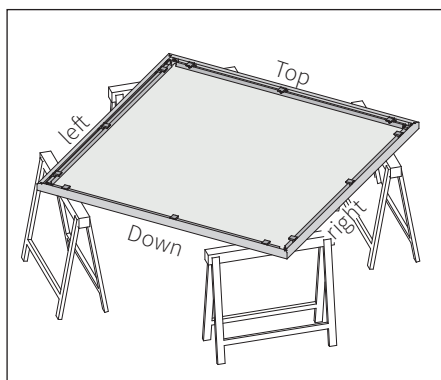


8.  It is important to pay attention to the correct position of the clamping profiles (4). The piping channel is always at the outside.

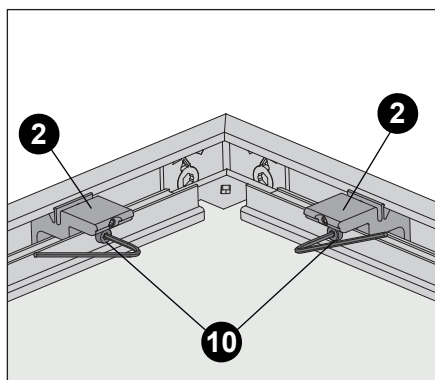


9. a) Clip the **upper clamping profile** (4) into the clamps (2) and fix lightly with the cylinder screw SW 4 (10).

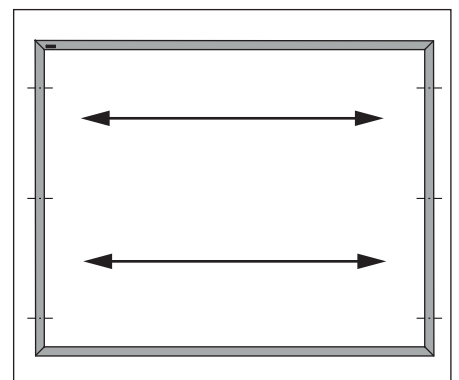
9. b) Repeat steps 7. and 8. for the left, right and bottom side.




10. Repeat step 9. a) first for the left, then for the right and last for the bottom side.

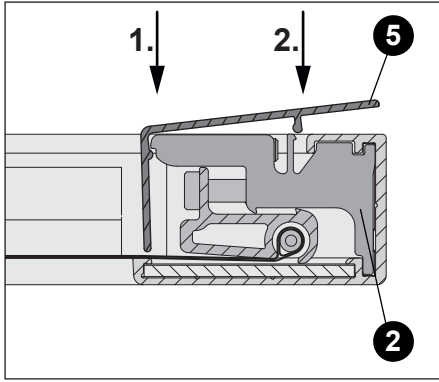


11. Pre-tension the cover by tightening the cylinder screws SW 4 (10) on all clamps (2).

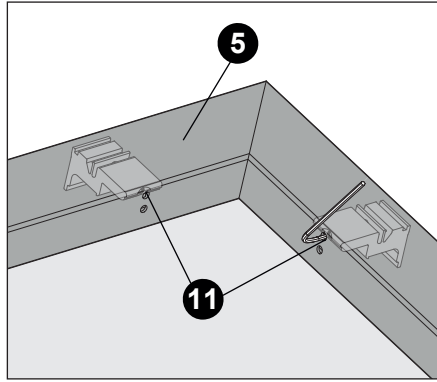


12. The main tensioning of the cover must only be done in direction of the fastening axle.

 Clip in the lateral clamping profiles only when the cover has been threaded into all remaining clamping profiles.

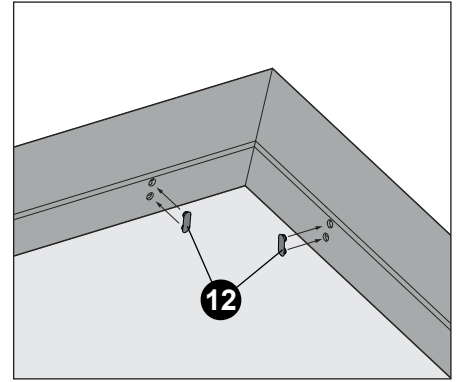


13. Place the cover profiles (5) into the groove of the clamps (2) and let engage by using light pressure.



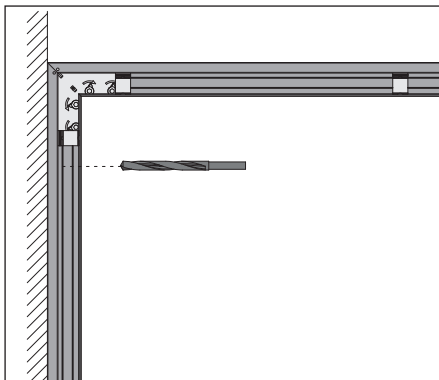
14. Secure cover profiles (5) with threaded pin SW 3 (11).

If needed, the cover can be re-tensioned through the bottom bore.



15. Close the bores with the cover plugs (12).

3.2 Frame installation markilux format




Bores lateral installation

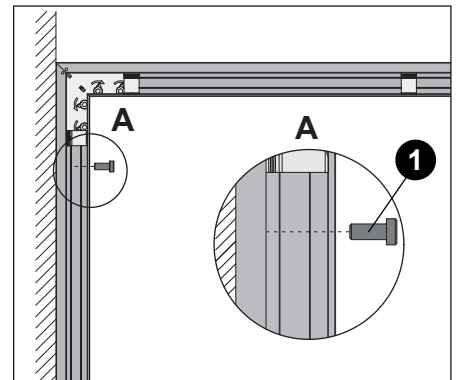
- BH ≤ 1 m 2 drilled holes
- BH ≤ 1.5 m 3 drilled holes
- BH ≤ 2 m 4 drilled holes
- BH ≤ 2.5 m 5 drilled holes

Drilled holes installation top and bottom

- BB ≤ 1 m 2 drilled holes
- BB ≤ 1.5 m 3 drilled holes
- BB ≤ 2 m 4 drilled holes
- BB ≤ 2.5 m 5 drilled holes
- BB ≤ 3 m 6 drilled holes

1. Assemble the base frame as in chapter 3.1 "Installation markilux format base frame", step 1 - 3 and drill the frame profiles with a metal drill bit Ø 6,5 mm according to the drawing chapter 1.1 "markilux format base frame".

 Pay attention to uniform bore distribution.

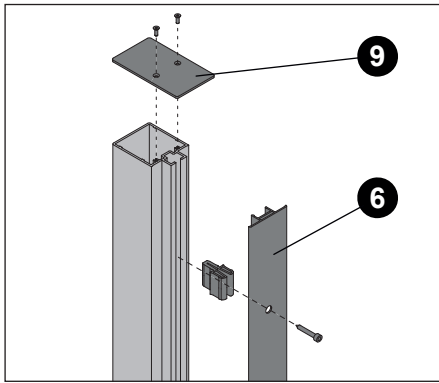


2. Connect the base frame to the underground using a cylinder head screw M 6 (1).

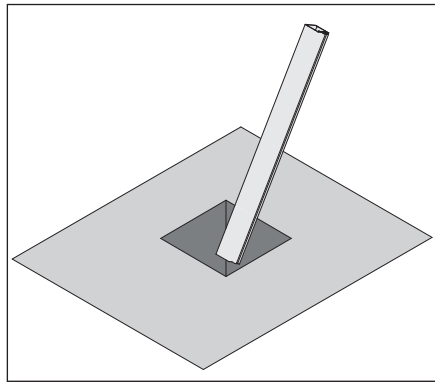
Assemble the base frame as in chapter 3.1 "Installation markilux format base frame", step 5 - 15. It is important to pay attention to the sequence of the cover installation.

BB = Order width

3.3 Installation markilux format fixed stand



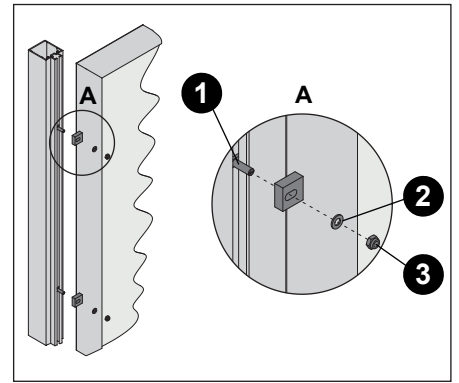
1. Remove the cover profiles (6) and cover plates (9).



2. Prepare the holes for the footings according to the drawing chapter 1.3 "markilux format fixed stand" and fix the posts with concrete.

i Before fixing the posts with concrete, align the posts exactly and, if needed, fix with boards and screw clamps.

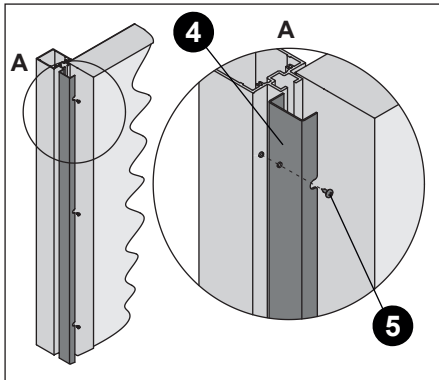
Assemble the base frame as in chapter 3.1 "Installation markilux format base frame".



3. Fix the elements to the posts using the brackets.

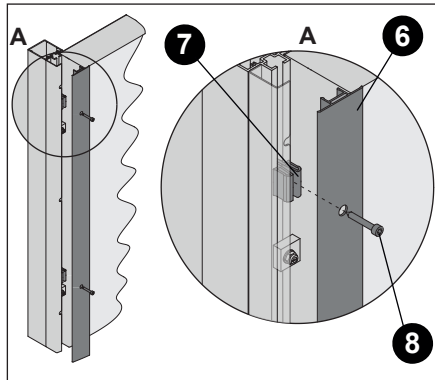
To do this, push the hammer head bolt (1) into the groove of the post and fix the bracket with the washer (2) and hexagon nut (3).

i The cover side always points outwards.



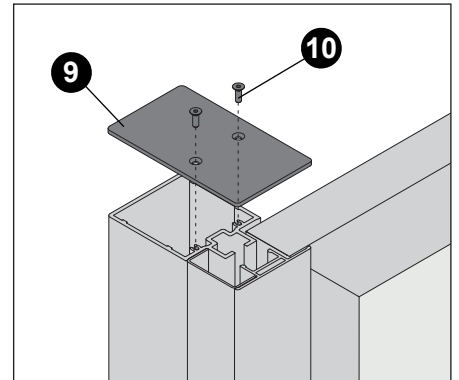
4. For the installation of the lateral cover profiles to the outer posts, the posts must be drilled. To do this, position the lateral cover profiles, mark the bores and drill with a metal drill bit $\varnothing 3.5$.

Fix lateral cover profiles (3) with raised-head self-tapping screws (4) to the outer standing posts.



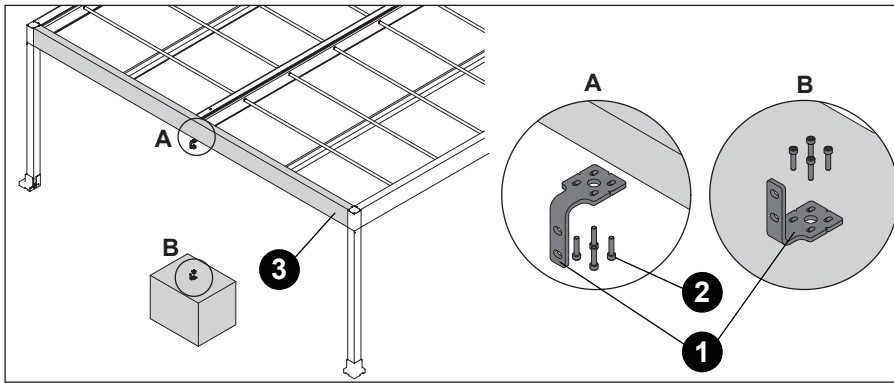
5. Mount front cover profiles (4) with a cylinder head screw SW 5 (6) to the post. To do this, plug the clips (5) beforehand in the matching groove of the post.

The installation of the cover profiles to any existing corner posts is done in the same manner.



6. Mount the cover plates (8) with countersunk head screw SW 2.5 (9) to the post.

3.4 Installation markilux format to markilux markant

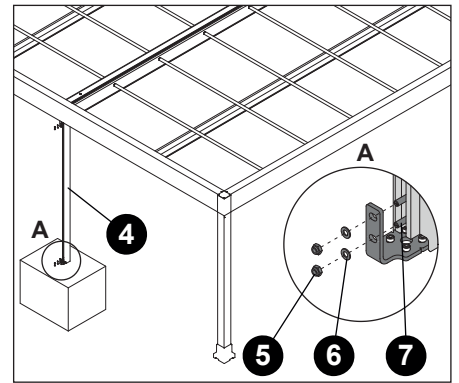


1. Install markilux markant and prepare the footing for the intermediate post according to chapter 1.4 "markilux format markant".

Install the post bracket (1) at the top with cylinder head screw M6 (2) at the frame profile markant (3). Position the intermediate post and align perpendicularly.

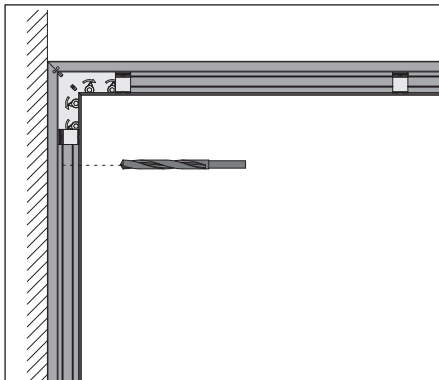
Mark the drill pattern for the post bracket at the bottom of the footing and prepare for the structural anchors.

Screw the post bracket (1) at the bottom with the footing.




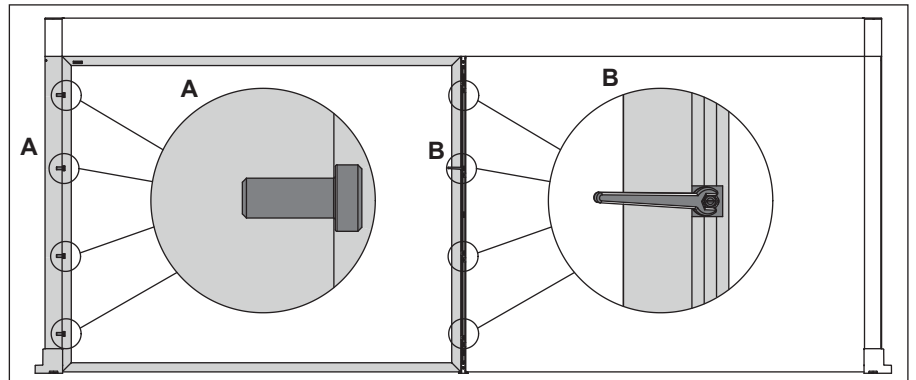
2. Insert the intermediate post (4) and fix using the hammer head bolts (5), the washers (6) and the hexagon nuts (7) to the post brackets.

Assemble the base frame as in chapter 3.1 "Installation markilux format base frame", step 1 - 3.



3. Drill the frame profiles of the base frame and the markant post with a metal drill bit Ø 6.5 mm according to drawing chapter 1.1 "markilux format base frame" and tap threads.

 Pay attention to uniform bore distribution.



4. Install the base frame between post markilux markant and post.

Intermediate post: Fix the brackets to the post using the hammer head bolt, the washer and the hexagon nut.

Post markilux markant: Install the base frame with cylinder head screws M6 to the post.

Assemble the base frame as in chapter 3.1 "Installation markilux format base frame", step 5 - 15. It is important to pay attention to the sequence of the cover installation.

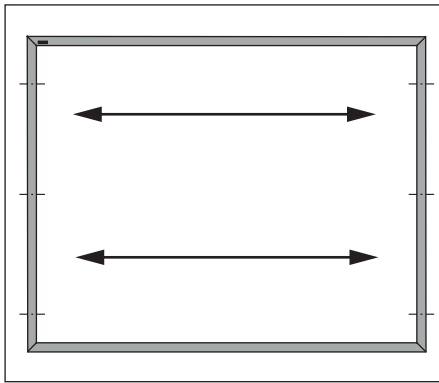
no. of drill holes

BH ≤ 1 m 2 drilled holes

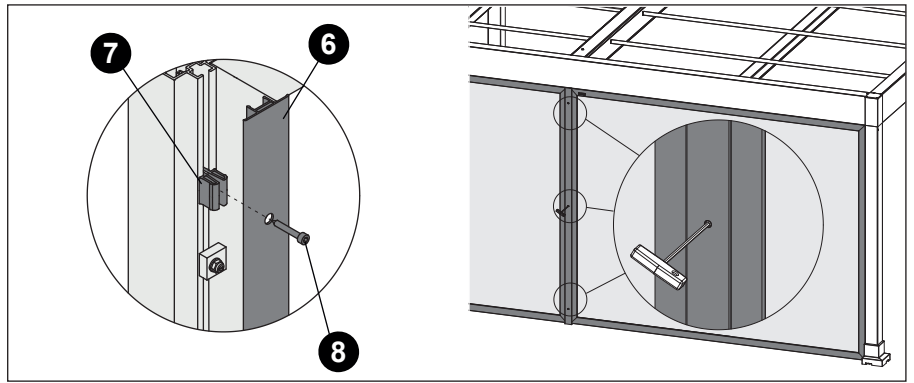
BH ≤ 1.5 m 3 drilled holes

BH ≤ 2 m 4 drilled holes

BH ≤ 2.5 m 5 drilled holes

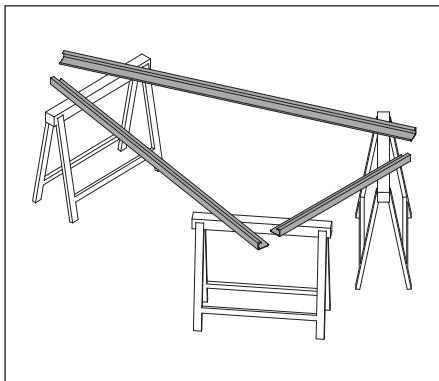


5. The final tensioning of the cover must always be done in direction of the fastening axle.



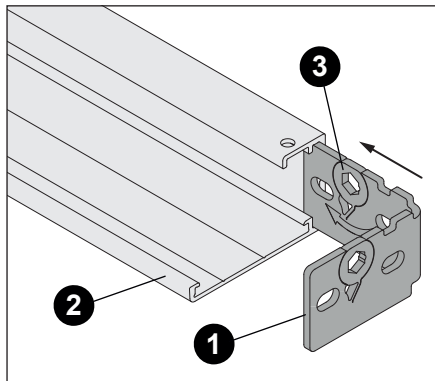
6. Put the clips (7) matching into the groove of the post. Install the cover profiles (6) of the central post with cylinder head screws SW 5 (8) to the post.

3.5 Installation markilux format triangle

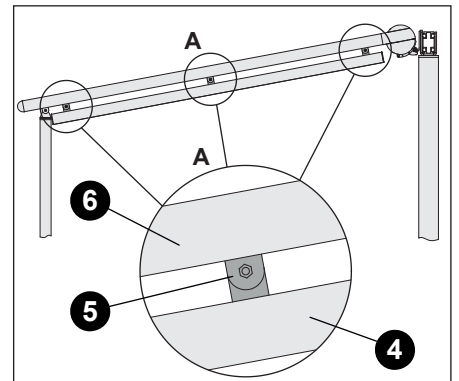


1. Place the three frame profiles matching one another on mounting blocks. The cover side is at the bottom.

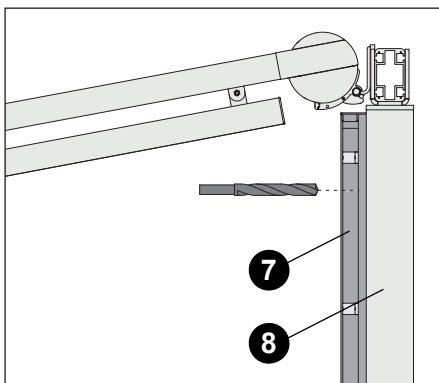
i Before mounting the format triangle, the reinforcement profile must be mounted between the post. Installation situation see chapter 1.5 "markilux format triangle".



2. Push the mounting brackets (1) left and right into the bottom frame profile (2) and tighten the clamping discs (3) with hexagon wrench (SW 8) in the direction of the arrows. Pay attention to the correct position of the clamping discs and arrows.

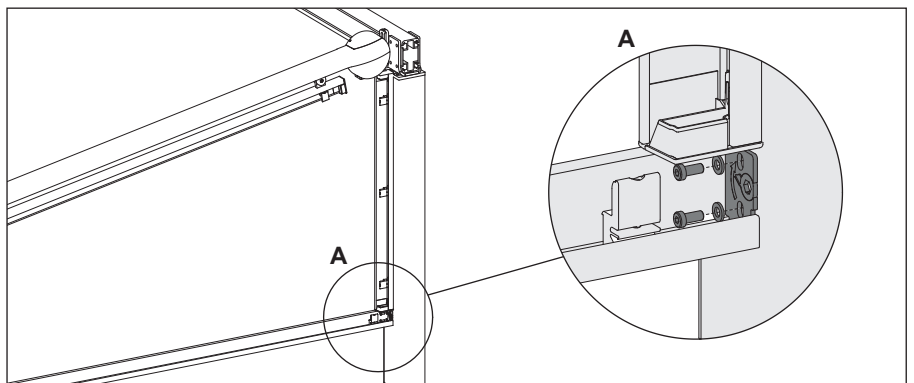


3. Fix the top frame profile (4) using the clamping jaws (5) (SW 6) at the guide rail (6).



4. Drill the lateral frame profile (7) and the post (8) with a metal drill bit \varnothing 6.5 mm, tap threads and install the frame profile with cylinder head screws M 6 (SW4) on the post.

The precise fixture dimensions can be found in the enclosed order drawing.



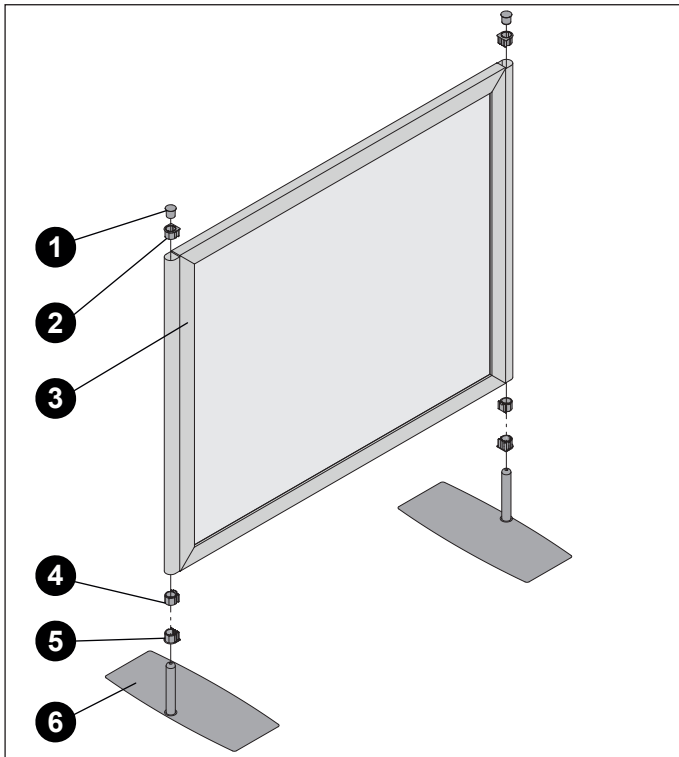
5. Position the bottom frame profile (9) between the posts and mark drill holes left and right. Drill the posts with a metal drill bit \varnothing 6.5 mm, tap threads and install the bottom frame profile with cylinder screw M 6 (SW 4) between the posts.

The precise fixture dimensions can be found in the enclosed order drawing.

Assemble the base frame as in chapter 3.1 "Installation markilux format base frame", step 5 - 15.

It is important to pay attention to the sequence of the cover installation.

3.6 Installation markilux format freestanding

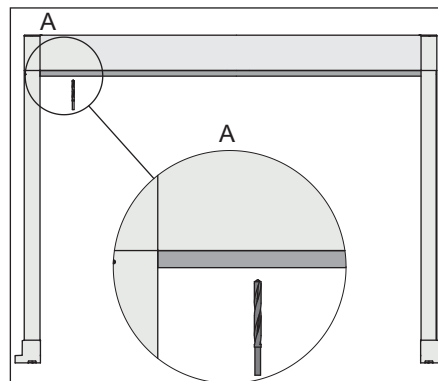


Assemble the base frame as in chapter 3.1 "Installation markilux format base frame", and put on the feet.

i This product is intended for use in interior areas and can be set up on level surfaces.

- 1 = Cover plugs
- 2 = covering cap
- 3 = Base frame incl. posts
- 4 = Internal bearing
- 5 = covering cap
- 6 = base

3.7 Installation markilux format slide using markilux markant as an example



Number of drill bits Ø 6.5 mm

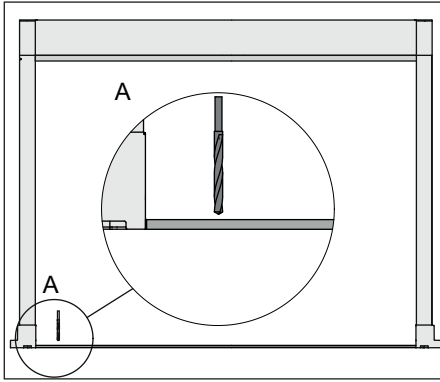
- BB ≤ 200 cm → 4 drilled holes
- BB ≤ 250 cm → 5 drilled holes
- BB ≤ 300 cm → 6 drilled holes
- BB ≤ 350 cm → 7 drilled holes
- BB ≤ 400 cm → 8 drilled holes
- BB ≤ 450 cm → 9 drilled holes
- BB ≤ 500 cm → 10 drilled holes
- BB ≤ 550 cm → 11 drilled holes
- BB ≤ 600 cm → 12 drilled holes

1. Assemble the sliding elements as in chapter 3.1 "Installation markilux format base frame".

2. Fix the guide track at the top, it is pre-drilled from the factory.


To do this, position the guide track according to the drawing chapter 1.8 "markilux format slide to markilux markant" to the cross bar, mark the bores and drill the cross beam with a metal drill bit. Tap the thread and fix the guide tracks with cylinder screws M6 x 14 to the cross beam.

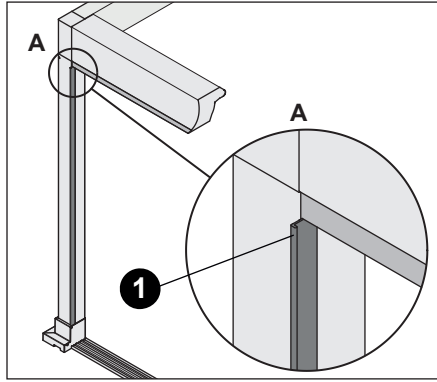
i Pay attention to uniform bore distribution. The fixing screws for the top guide track are enclosed.



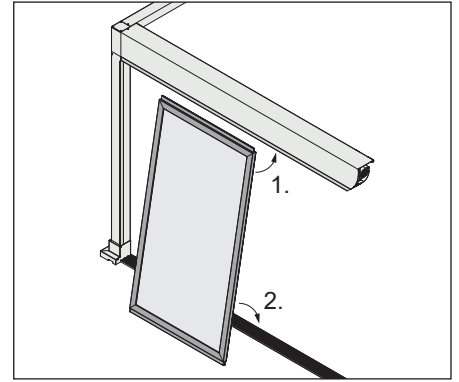
3. Fix the track at the bottom.

To do this, drill with a metal drill bit according to the drawing chapter 1.8 "markilux format slide to markilux markant" and prepare the mounting underground for structural anchors.

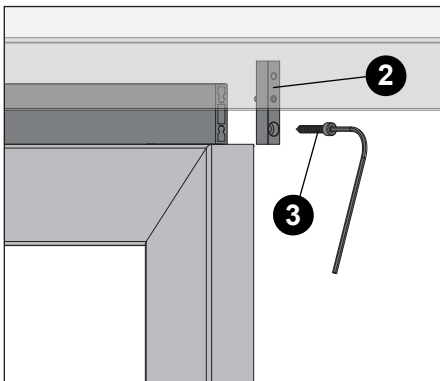
 The tracks must be precisely horizontally aligned. Pay attention to uniform bore distribution. Spot drill the drill holes.



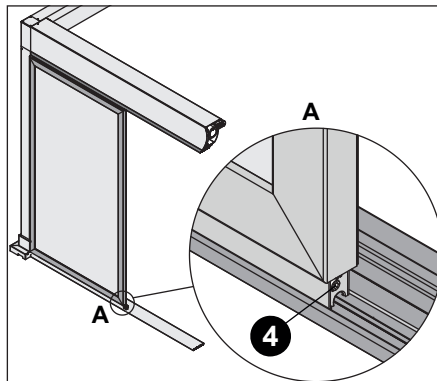
4. Glue the try square (1) right and left to the posts. The try squares must be flush with the post.



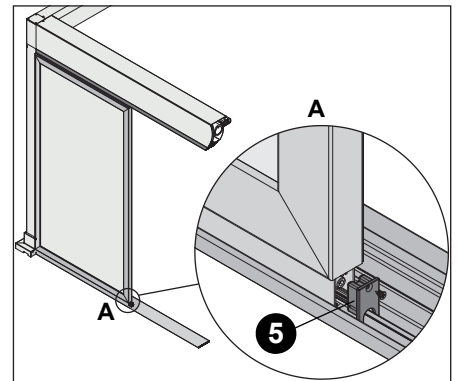
5. Slide the sliding elements diagonally from the bottom into the guide track and lower at the bottom with the carriage onto the track.



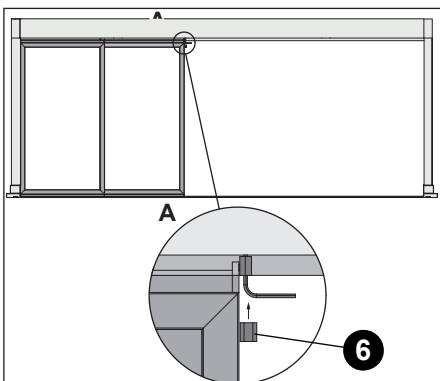
6. Insert the safety stoppers (2) at the top and fix with cylinder screws (3) SW4.



7. By turning the cylinder screw (4) on the carriage, the sliding element can be adjusted.



8. Install the cover caps (5) at the carriage.



9. **Optional:** Insert stoppers (6) individually at the desired position. To do this, slide the stoppers in the guide track, turn by 45° and by tightening the hexagon socket screw SW 5 clamp in the guide track.

markilux GmbH + Co. KG

Hansestraße 53 | 48282 Emsdetten | Germany

Made in Germany

Telephone +49 (0) 25 72/15 31-0

Telefax +49 (0) 25 72/15 31-6 82

info@markilux.com

markilux