



Cassette awning

markilux 900

The unique balcony awning
with markilux folding arm technology to be fixed with accro bars.



reddot winner 2024
best of the best

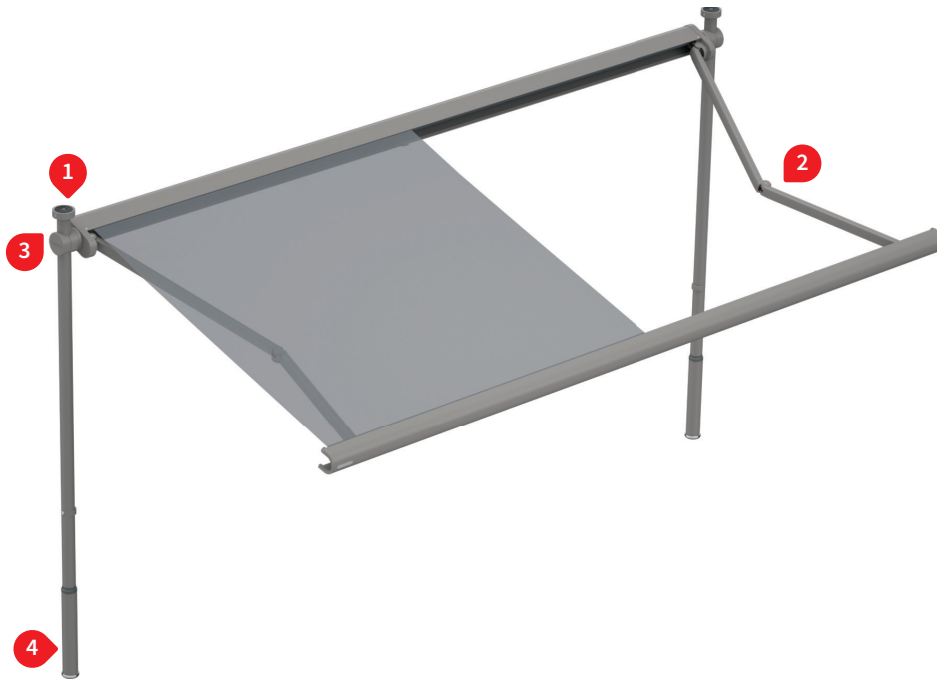
[markilux.com](https://www.markilux.com)

markilux
safe timeless beautiful

Product Characteristics

Wind resistance class 2
Beaufort 5 → 7.5–10.4 m/s → 28–37 km/h → 17–23 mph

01
02
03
04
05
06
07
08
09
10
11



12

1 fixture with wedge-in accro bars



1 fixture with wedge-in accro bars, view from the rear, pitch 45 degrees



1 top fixture



1 top fixture, view from the rear



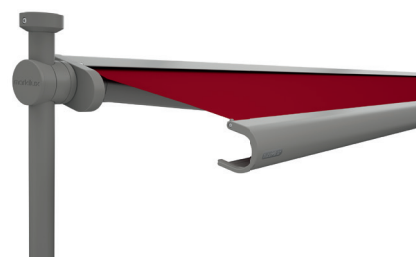
2 bionic tendon made of high-tech fibres for optimum power transference



awning retracted



during extension



3 manual operation



4 cross section of a base with wedge-in accro bar



Product characteristics

Description

- Minimalist cassette awning with folding arms, installation possible with wedge-in accro bars, top fixture, face fixture or eaves fixture brackets

Special features

- Compact cassette profile that lends an attractive appearance to the unit
- Cassette with arms situated at the front and at each end, which – when the awning is closed – are encompassed fully by the front profile lending a harmonious overall appearance to the awning
- Plenty of shade even when the awning is only slightly inclined – ideal for balconies For an unlimited sense of space with a clear view
- Generous pitch adjustment range of the awning from 5–70° – thus also suitable as protection against prying eyes
- Installation with wedge-in accro bars: convenient assembly/disassembly with few drill holes compared to conventional awning brackets
- The awning cassette is inserted into the holders of the particular fixture types, simple assembly
- Any unevenness of the installation surface can be levelled out thanks to the movable articulated base on the wedge-in accro bars The technical function is elegantly concealed and invisible
- Top-quality surface finish, profiles in façade quality, powder coated (including wedge-in accro bars)
- Wedge-in accro bars are also available in a different standard colour
- Cover can be selected from over 200 fabric patterns of the markilux collection to suit a range of different living styles

Dimensions

- Cassette in the standard version: height 105 mm, depth 225 mm
- Single unit: width 200–400 cm, projection 150 cm or 200 cm
- Adjustment range accro bar: 235–265 cm wedge-in height, on request 270–300 cm wedge-in height available

Roller tube and lateral bearings

- Round roller tube Ø 63 mm with keyway, galvanised steel – excellent stability, ensures near perfect cover performance even at the largest widths

Blind profiles

- extruded aluminium, in façade quality, powder coated
- Single-piece cassette profile
- Semi-circular front profile

Folding arms

- Profiles in extruded aluminium, in façade quality, powder coated
- Moving parts made of drop-forged aluminium – the arms are therefore extremely fracture resistant
- Pivot bolts in stainless steel run in Teflon-coated bronze bushes - practically maintenance free, virtually silent and extremely hard wearing
- Power transference via the innovative markilux bionic tendon at the elbow joint, made of high tensile, hightech fibres – low in friction, noiseless, impervious to corrosion and UV resistant, independently tested by the Fraunhofer Institute

Side caps

- Two-piece side cap for the cassette made of top-quality plastic, powder coated
- Front profile end caps made of top-quality plastic, dyed-through, with water draining spouts

Fixture

- Fixture with wedge-in accro bars, face fixture, top fixture, eaves fixture
- Top fixture brackets and face fixture brackets with decorative covers, powder coated
- Wedge-in accro bars with brackets and articulated base, powder coated
- Railing securing for additional attachment of the wedge-in accro bars on the balcony railing, included in the scope of delivery by default

01 **Frame colours**

02 markilux frame colours without a surcharge

03 traffic white, RAL 9016

10 stone grey metallic, 5215 ¹⁾17 anthracite metallic, 5204 ¹⁾**Special coating**


Bespoke RAL colours incur a surcharge – matt, metallic and pearl finishes as well as other colour ranges (DB, Tiger etc.) on request. At a surcharge, all frame colours are available with enhanced corrosion protection.

Colours may differ slightly from those depicted in both hue and finish. In the case of special coating, dyed-to-the-core plastic parts may differ in colour.

1) textured finish

Dimensions and configuration options


Single unit

		Awning width					Minimum widths
		200	250	300	350	400	
Order dimensions	H	194	201	251	301	351	
	H	200	250	300	350	400	
H		150	1)				194
H		200		1)			244

1) = please note the minimum widths!

H = projection

 = 2 folding arms, 2 brackets

 = 2 standard arms

dimensions in cm

Operation

	standard	optional	Coupled awnings
crank handle	✓	—	not available
spring-assisted crank handle	—	—	
hard-wired motor	—	✓	
radio-controlled motor io, 868 MHz	—	✓	
868 MHz radio-controlled motor io with manual override	—	—	

Awning cover

	fabric pattern no.	standard	optional	Shadeplus
sunvas	300.. - 315..	✓	—	not available
sunbow	411.. - 454..	✓	—	
perla FR	371.. / 372..	—	✓	

Optional accessories

Automatic controls (light, wind, rain)

For more detailed information, please refer to the chapter "Optional Accessories" in the main catalogue.

Fixture options

clamp for wedge-in accro bar	62249.
cap for wedge-in accro bar	62250.
balcony securing	622601
face fixture bracket right / top fixture bracket left	62247.
face fixture bracket left / top fixture bracket right	62248.
eaves fixture bracket 150 mm	75889.
eaves fixture bracket 270 mm	71659.
angle and plate for eaves fixture machine finish aluminium, plate 500 mm	716620
spreader plate 260 × 60 × 12 mm for eaves fixture bracket	75383.

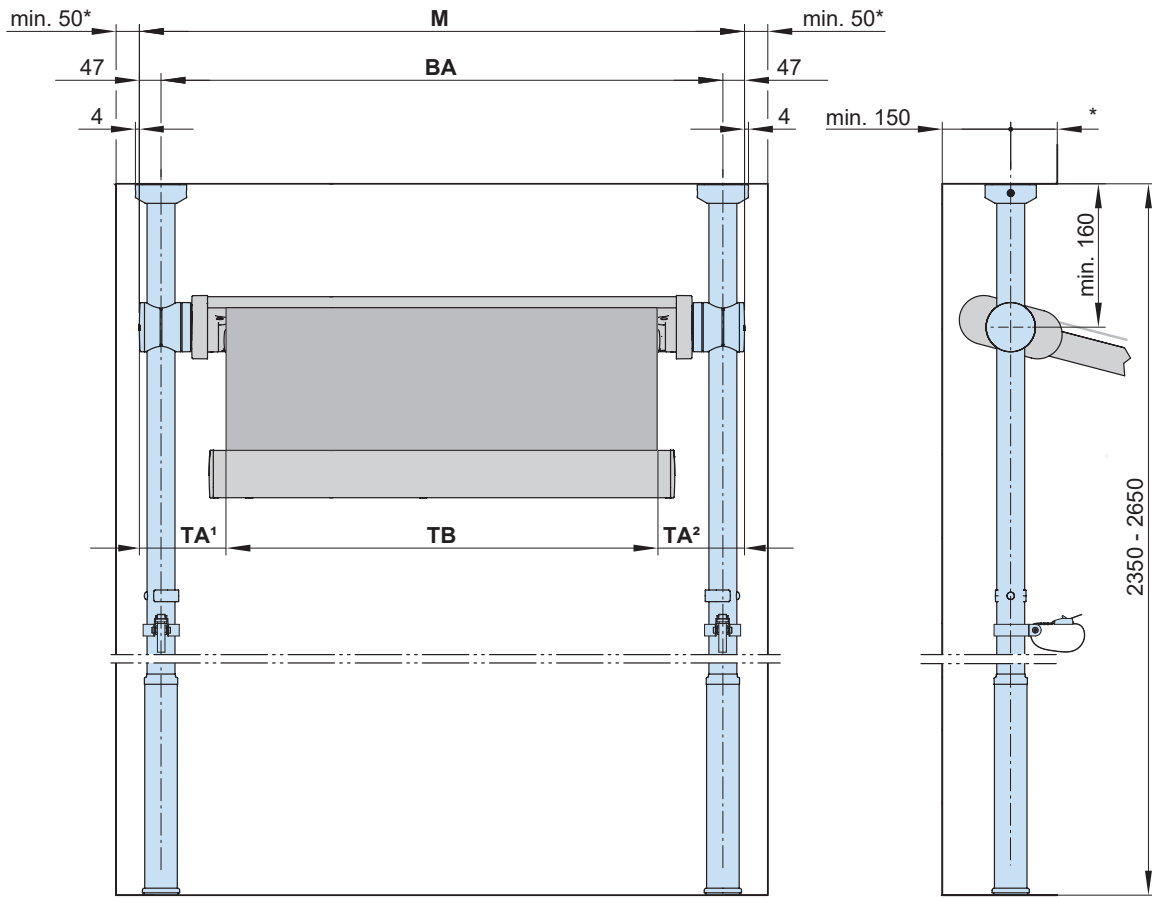
No. of brackets | No. of fixing points

		Awning width				
		200	250	300	350	400
Order dimensions		194	201	251	301	351
		200	250	300	350	400
		No. of brackets No. of fixing points				
S	10	2 2				
DE	13,8	2 8				

Dimensions in cm

- BHT** = bracket width
DE = top fixture brackets
S = accro bar (contact surface diameter above under BHT)

Fixture range wedge-in accro bars



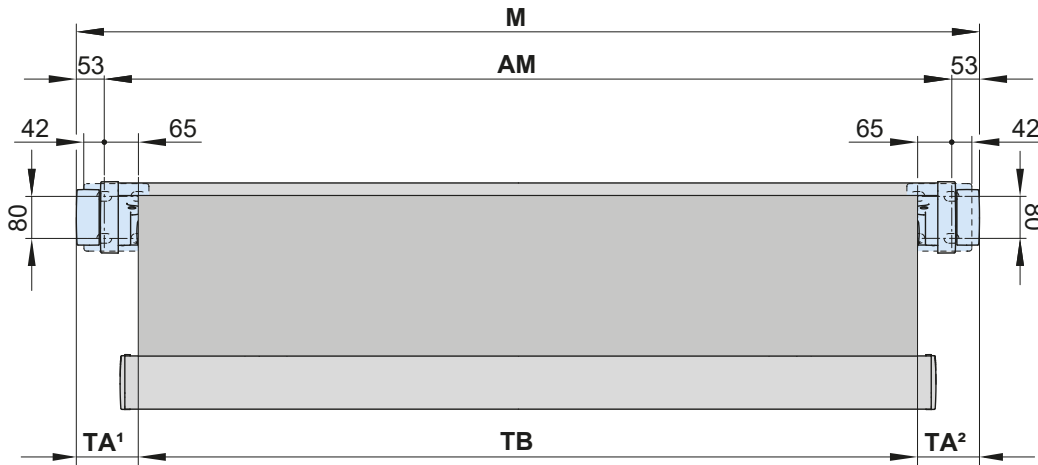
- * = observe the minimum edge distance specified by the fixture material supplier
- AM = installation dimensions
- BA = fixture width
- M = **order dimension** = overall awning width

- TA¹ = cover width deductions
with a motor = 189 mm
with a gearbox (operating side left) = 205 mm
- TA² = cover width deductions
with a motor = 189 mm
with a gearbox (operating side left) = 189 mm
- TB = cover width = $M - TA^1 - TA^2$

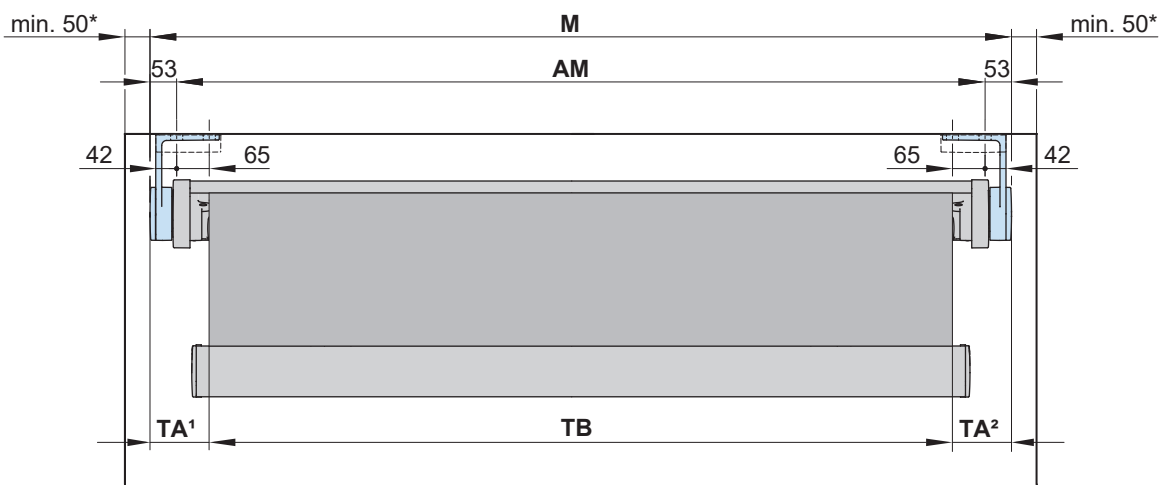
dimensions in mm

01
02
03
04
05
06
07
08
09
10
11
12
13
14
15
16
17
18
19

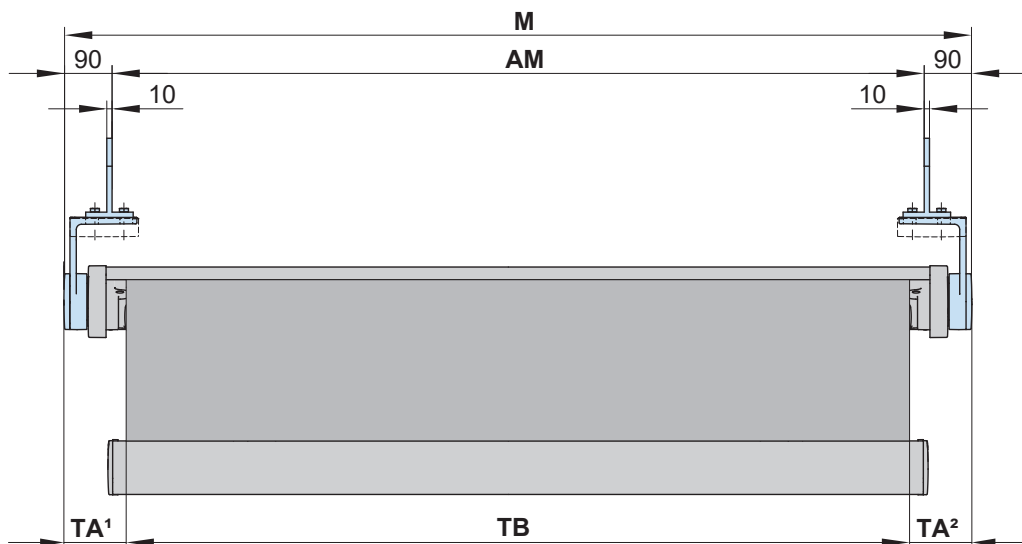
01 Fixture range top fixture



02
03
04
05
06
07
08
09 Fixture range top fixture



10
11
12
13
14
15
16 Fixture range eaves fixture



* = observe the minimum edge distance specified by the fixture material supplier

AM = installation dimensions

M = **order dimensions** = awning width

TA¹ = cover width deductions
with a motor = 123 mm
with a gearbox (operating side left) = 139 mm

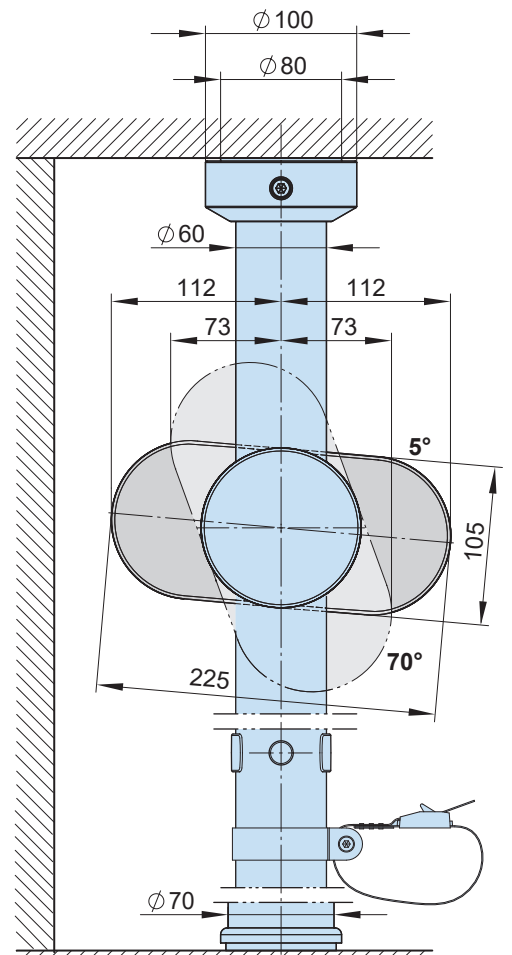
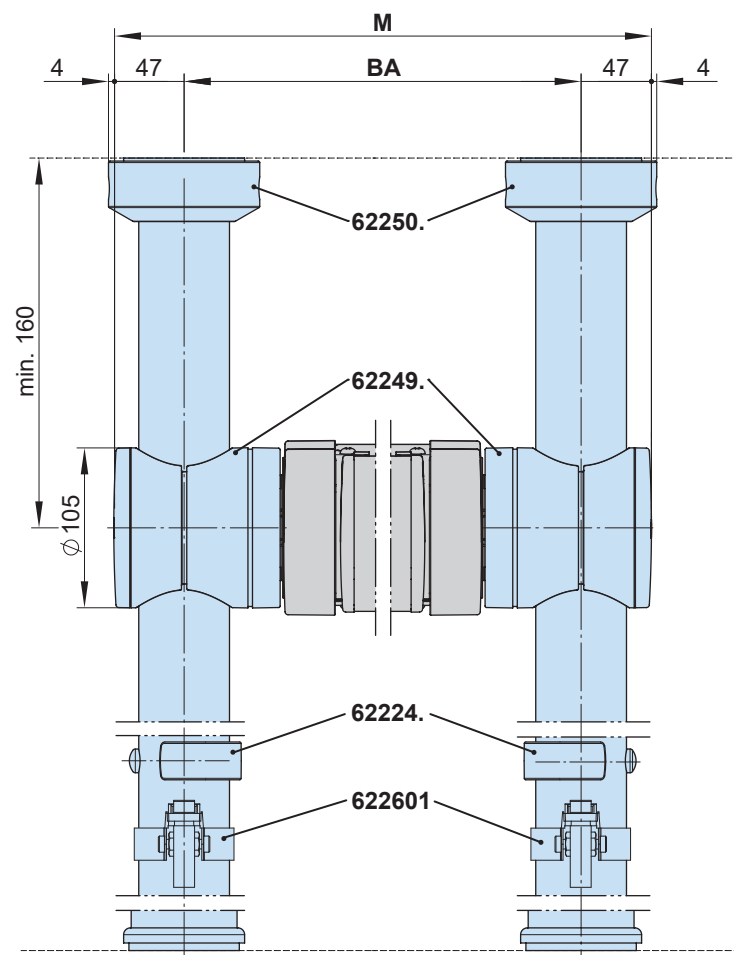
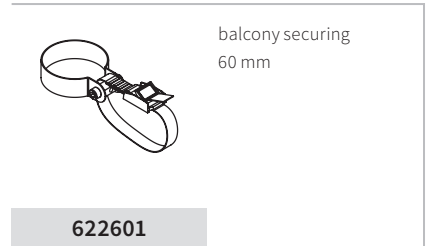
TA² = cover width deductions
with a motor = 123 mm
with a gearbox (operating side left) = 123 mm

TB = cover width = M - TA¹ - TA²

dimensions in mm

Fixture with wedge-in accro bars

Fixtures, fittings and accessories



- 62224. = safety clip
- 62249. = clamp for wedge-in accro bar
- 62250. = cap for wedge-in accro bar
- 622601 = balcony securing
- BA = width between fixture points
- M = **order dimension** = overall awning width

dimensions in mm

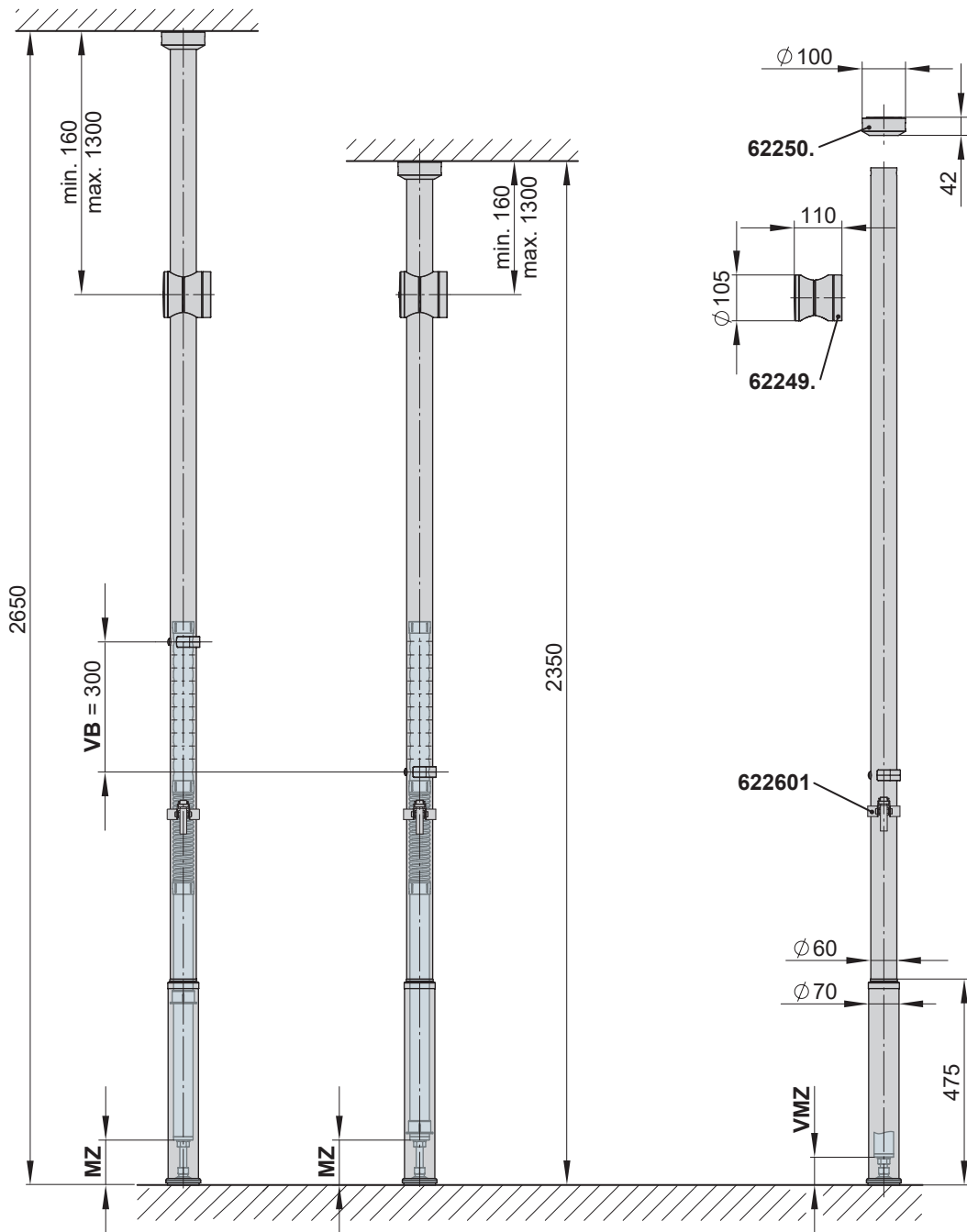
01
02
03
04
05
06
07
08
09
10
11
12
13
14
15
16
17
18
19

Fixture with wedge-in accro bars

Maximum height

Minimum height

Delivery state



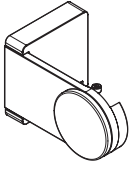
Please note: The accro bars are also available with a wedge-in height of 270–300 cm.

- 62249. = clamp for wedge-in accro bar
- 62250. = cap for wedge-in accro bar
- 622601 = balcony securing
- MZ = assembled state
- VB = adjustment range
- VMZ = pre-assembled state

dimensions in mm

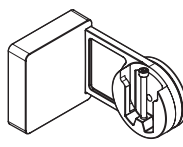
Face fixture

Fixtures, fittings and accessories



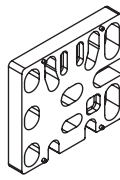
face fixture bracket
left

62248.



face fixture bracket
right

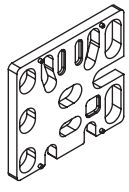
62247.



spacer plate
for face/top fixture

150x 136 x 20 mm; black
N.B!
stack to a max. height of
200 mm

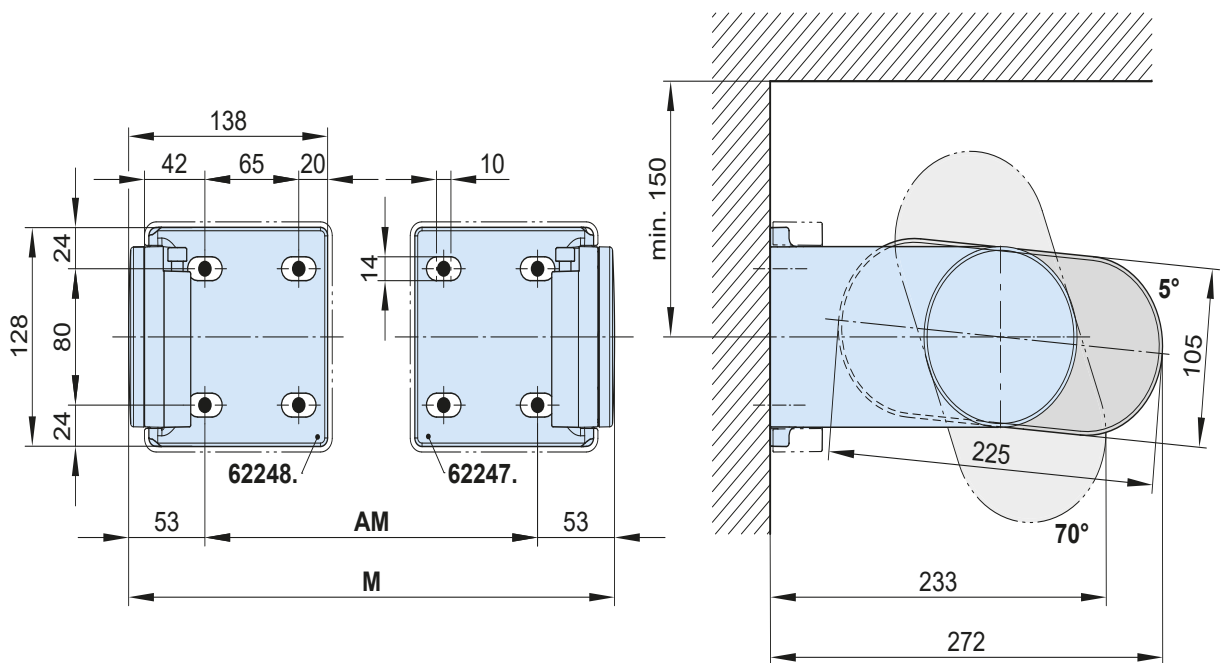
716331



spacer plate for face
fixture

150 x 136 x 12 mm

71644.



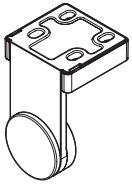
- 62247.** = face fixture bracket, right
- 62248.** = face fixture bracket, left
- AM** = installation dimensions
- M** = **order dimensions** = awning width

dimensions in mm

01
02
03
04
05
06
07
08
09
10
11
12
13
14
15
16
17
18
19

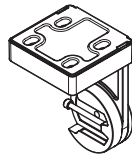
01 **Top fixture**

02 **Fixtures, fittings and accessories**



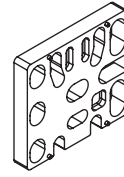
top fixture bracket left

62247.



top fixture bracket right

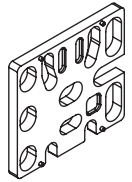
62248.



spacer plate for face/top fixture
150 × 136 × 20 mm

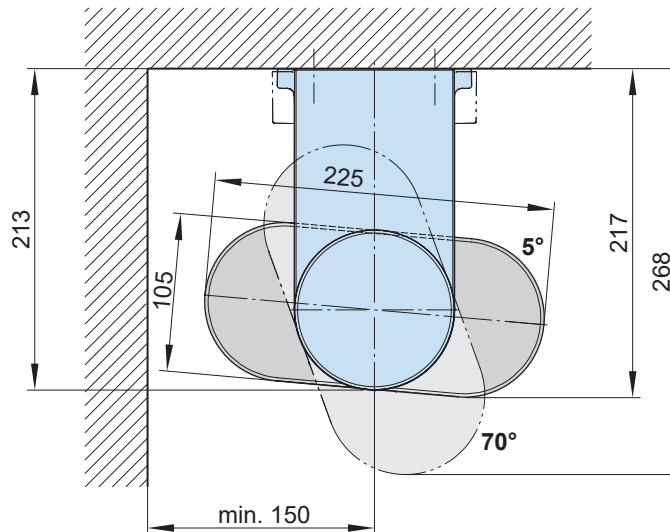
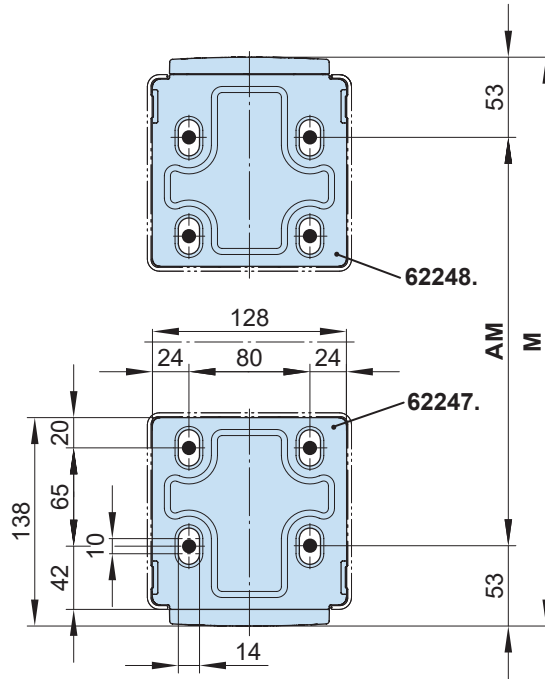
N.B!
stack to a max. height of
200 mm

716331



spacer plate for face fixture
150 × 136 × 12 mm

71644.



- 62247. = top fixture bracket, left
- 62248. = top fixture bracket, right
- AM = installation dimensions
- M = **order dimension** = overall awning width

dimensions in mm

Eaves fixture

Fixtures, fittings and accessories

eaves fixture bracket
90 mm
150 mm plate

75889.

eaves fixture bracket
90 mm
height of flat plate
270 mm

71659.

top fixture bracket
left

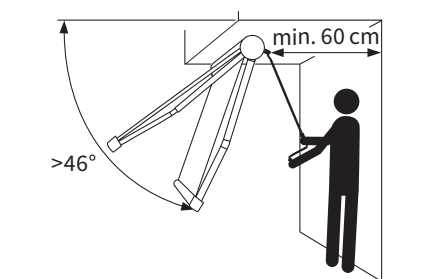
62247.

top fixture bracket
right

62248.

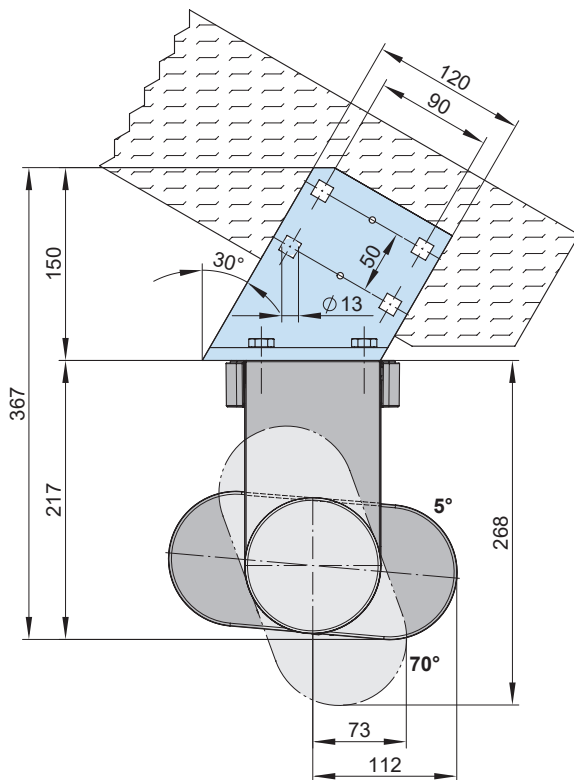
angle and plate for
eaves fixture
height of plate 500 mm
machine finish

716620

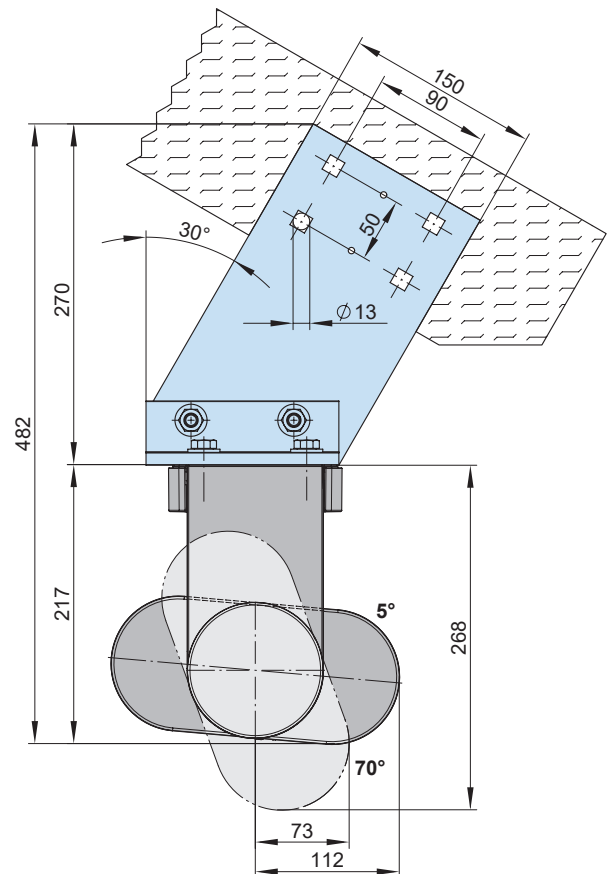


N.B.! At a pitch of more than 46° to the horizontal there must be an accessible area behind the awning at least 60 cm deep to allow manual operation incl. operation via radio-controlled motor with manual override. There are no limitations with motor systems.

With eaves fixture bracket 150 mm (75889.)



With eaves fixture bracket, top flat plate 270 mm (71659.)



dimensions in mm

01
02
03
04
05
06
07
08
09
10
11
12
13
14
15
16
17
18
19

Eaves fixture with additional plate

Fixtures, fittings and accessories

eaves fixture bracket
90 mm

150 mm plate

75889.

eaves fixture bracket
90 mm

height of flat plate
270 mm

71659.

top fixture bracket
left

62247.

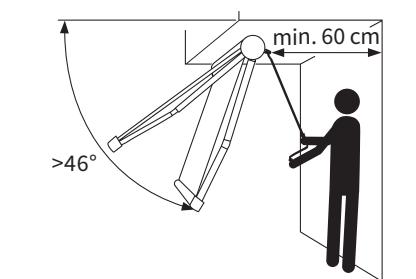
top fixture bracket
right

62248.

supplementary flat plate
for eaves fixture

260 × 60 × 12 mm

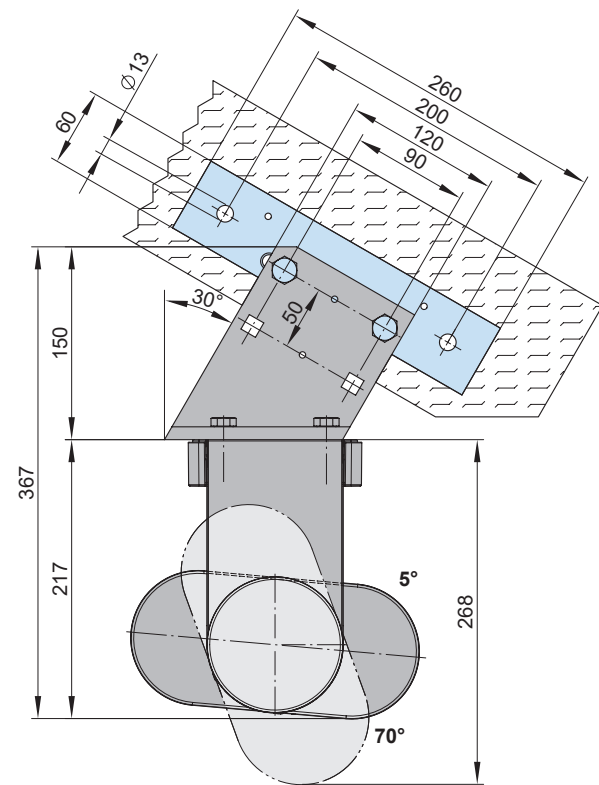
75383.



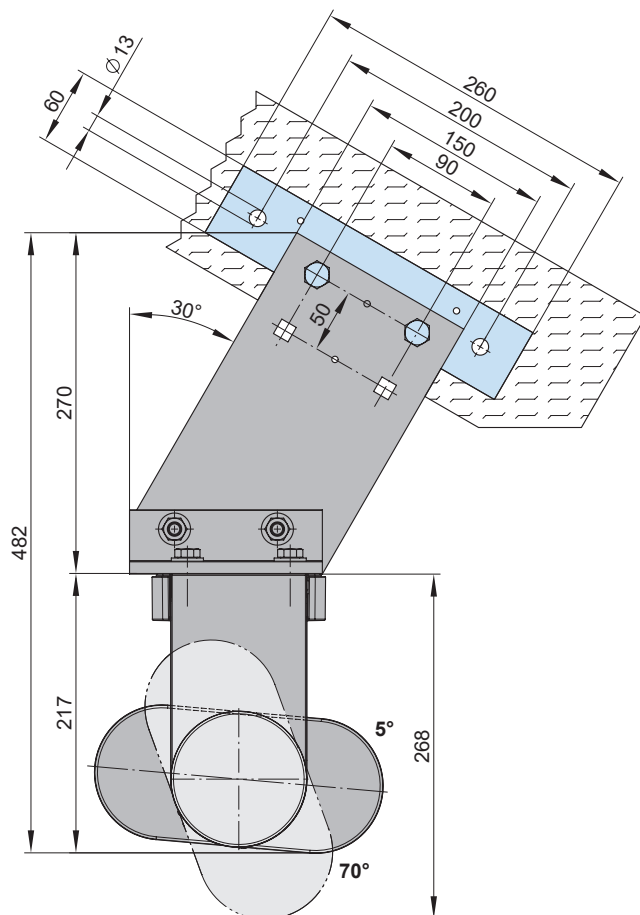
N.B.! At a pitch of more than 46° to the horizontal there must be an accessible area behind the awning at least 60 cm deep to allow manual operation incl. operation via radio-controlled motor with manual override. There are no limitations with motor systems.

12

With eaves fixture bracket 150 mm (75889.)

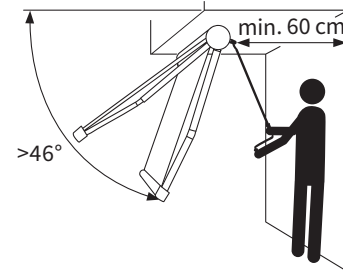
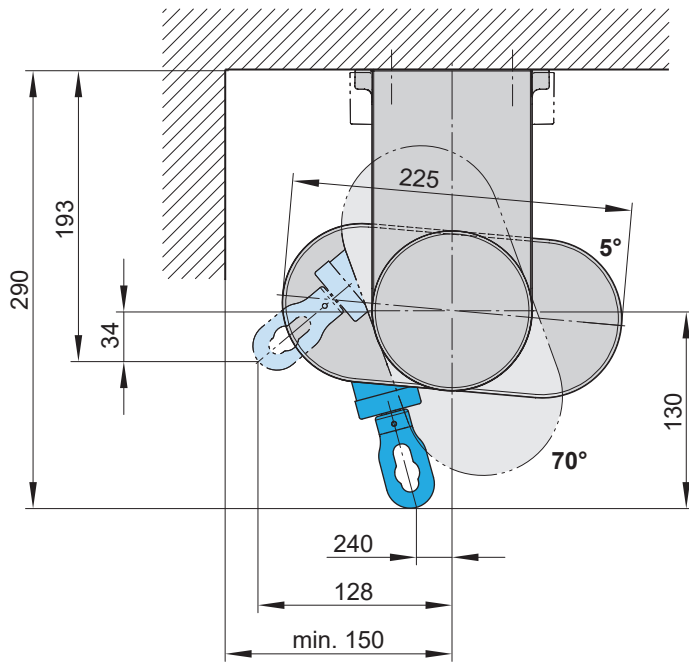


With eaves fixture bracket, top flat plate 270 mm (71659.)



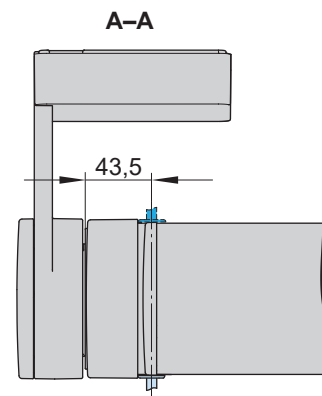
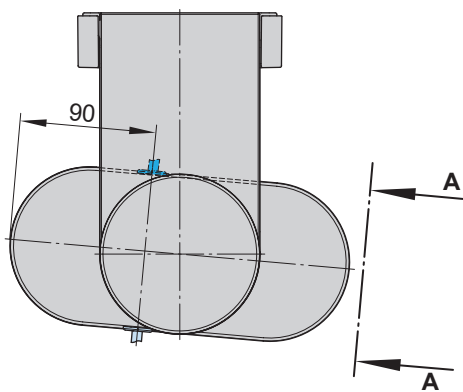
dimensions in mm


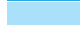
Top fixture with gearbox



N.B! At a pitch of more than 46° to the horizontal there must be an accessible area behind the awning at least 60 cm deep to allow manual operation. There are no limitations with motor systems.

Motor cable exit point



 = standard
 = optional

dimensions in mm

01
02
03
04
05
06
07
08
09
10
11
12
13
14
15
16
17
18
19

01

02

03

04

05

06

07

08

09

10

11

12

13

14

15

16

17

18

19