



Vertical cassette blind

## **markilux 710 / 810**

Compact cassette blind with cable guides.

01 **Product characteristics**

Wind resistance class 2

Beaufort 5 → 7.5–10.4 m/s → 28–37 km/h → 17–23 mph

02 markilux 710

markilux 810

03

04

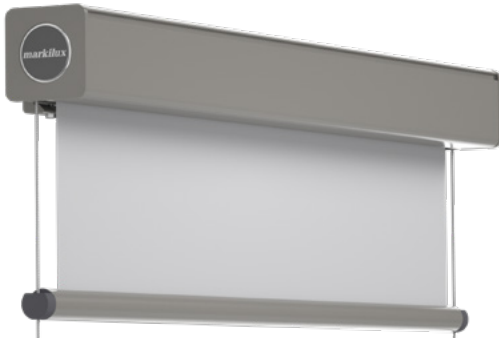
05

06

07

08

09



face fixture,  
standard gearbox operation

top fixture,  
motor operation <sup>1)</sup>

face fixture,  
standard gearbox operation

top fixture,  
motor operation <sup>1)</sup>

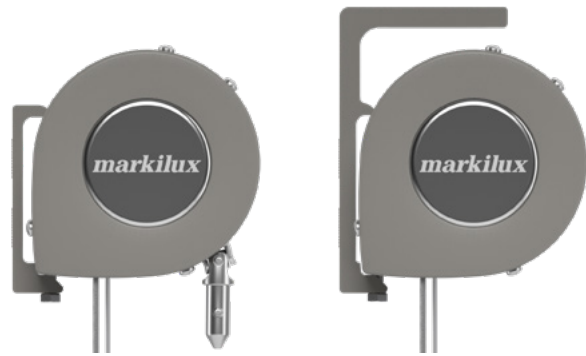
10

11

12

13

14



15

16

17

18

19

20



1) optional configuration

## Product characteristics

### Description

- vertical blind with cable guides and gravity-fed cover tensioning system – for areas up to 17.5 m<sup>2</sup>.

### Special features

- fully encompassing cassette that protects the cover perfectly
- compact cassette profile that lends an attractive appearance to the unit
- unobtrusive cable guides at the side
- option of manual operation from inside the building, drive shaft passes through the wall

### Dimensions

- single unit: 74 cm – 500 cm in width, maximum height 350 cm
- maximum width × height: 500 cm × 350 cm
- intermediate sizes are available

### Roller tube and lateral bearings

- round roller tube Ø 63 mm with keyway, galvanised steel
- the roller tube bearing is made of stainless steel

### Blind profiles

- extruded aluminium, in façade quality, powder coated
- markilux 710: cassette profile in one piece, square, height × depth 95 mm × 95 mm
- markilux 810: cassette profile in two pieces, round tear-shaped, Ø 115 mm
- front profile round, Ø 32 mm
- guide cables in stainless steel, coated in transparent plastic, Ø 3 mm

### Side caps

markilux 710:

- the cassette end caps are made of high-quality plastic, powder coated
- the bottom profile end caps are made of high-quality plastic, dyed right through, RAL 7011 steel grey

markilux 810:

- the cassette end caps are made of high-quality plastic, powder coated
- the bottom profile end caps are made of high-quality plastic, dyed right through, RAL 7011 steel grey

### Fixture brackets

- extruded aluminium, powder coated
- cassette brackets: face fixture, top fixture, reveal fixture
- bracket assemblies for the guide cables: universal brackets with tensioning mechanism
- other accessories are available

01

02

03

04

05

06

07

08

09

**10**

11

12

13

14

15

16

17

18

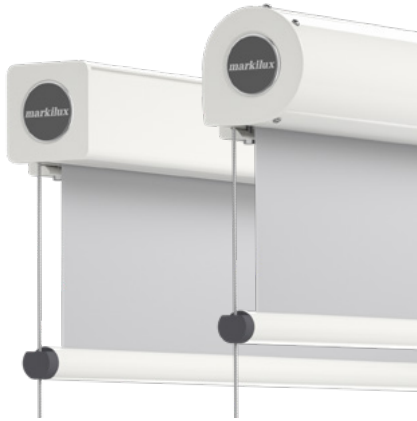
19

20

01 **Frame colours**

02 markilux blind colours without surcharge

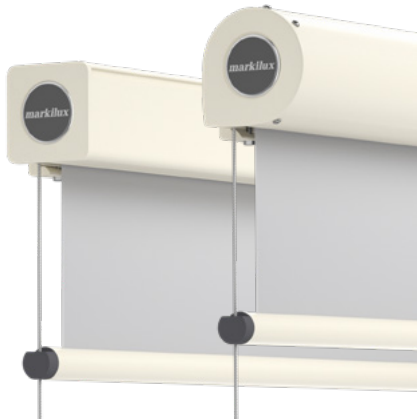
03 traffic white RAL 9016



04 metallic aluminium RAL 9006



05 grey brown, similar to RAL 8019

06 off-white textured finish, 5233 <sup>1)</sup>07 stone grey metallic, 5215 <sup>1)</sup>08 anthracite metallic, 5204 <sup>1)</sup>

## 10

11 Havana brown textured finish, 5229 <sup>1)</sup>12 **Non-standard powder-coated finish**

13 Bespoke frame colours at a surcharge – matt, metallic and pearl finishes as well as other colour ranges (DB, Tiger etc.) on request.  
 14 All frame colours are available at a surcharge with enhanced corrosion protection.



15 <sup>1)</sup> textured finish

16 Colours may differ slightly from those depicted in both hue and finish.

## Dimensions and configuration options

### Single unit

		Overall blind width								Minimum width		
		100	150	200	250	300	350	400	450	500	Hard-wired motor	Radio-controlled motor
<b>Order dimensions</b>		50 100	101 150	151 200	201 250	251 300	301 350	351 400	401 450	451 500	75	74
<b>AH</b>	120											
	160											
	200											
	250											
	300											
	350											

AH = unit height  
 = 2 brackets  
 = 3 brackets

dimensions in cm

### Operation

	standard	optional	Coupled Blind
crank handle	✓	—	not available
crank handle, operation from the rear	—	✓	
crank handle, interior operation	—	✓	
hard-wired motor	—	✓	automatic controls (light, wind, rain)
radio-controlled motor io, 868 MHz	—	✓	<b>N.B!</b> Important background information can be found in the chapter "Optional Accessories".
radio-controlled motor RTS, 433 MHz	—	✓	

### Blind cover

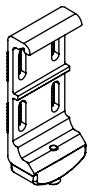
	fabric range no.	standard	optional	model	overall blind width	unit height	cover manuf.
<b>sunvas</b>	301.. / 309..-315..	✓	—	710	≤ 300	LN	
				810			
<b>sunsilk</b>	324.. / 325.. / 328.. / 369..	✓	—	710	≤ 300	LN	
				810			
<b>perfotex</b>	331.. / 332..	✓	—	710	≤ 250	LN	
				810			
<b>sunvas (250 cm)</b>	31008, -09, -13, -16, -18, -25, 27, -28, -31, -36, -37, -57, -58, 31109, -14, -17	✓	—	710 / 810	≤ 250	N	
<b>transolair</b>	338..	—	✓	710 / 810	≥ 251 ≤ 400	≤ 240	N
				710 / 810	≥ 251 ≤ 400	≥ 241	QN
<b>transolair (120 cm)</b>	339..	—	✓	710	≤ 300	LN	
				810			
<b>sunvas (320 cm)</b>	31008, -09	✓	—	710 / 810	≤ 320	N	
				710 / 810	≥ 321 ≤ 400		≤ 310
<b>vuscreen Alu</b>	317..	—	✓	710	≤ 250	≤ 250	N
				810	≤ 250	N	
				810	≥ 251 ≤ 400	≤ 240	N
				810	≥ 251 ≤ 400	≥ 241	QN
<b>Soltis Perform 92</b>	92-20..	—	✓	710 / 810	≤ 185	N	
				710 / 810	≥ 186		≥ 173
<b>perla</b>	370..	—	—	—			
<b>perla FR</b>	374.. / 375..	—	—	—			

LN = vertical seams, panel width usually 120 cm

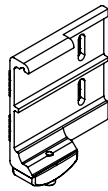
QN = horizontal seam

N = seamless

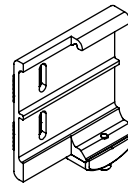
dimensions in cm

01 **markilux 710**02 **Fixtures, fittings and accessories**

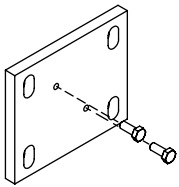
Face fixture bracket  
50 mm

**78797.**

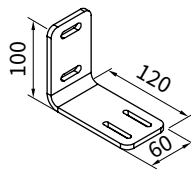
face fixture bracket  
with fishplate for lateral  
fixture, right  
**N.B!**  
not for the operation side:  
• interior operation  
• operation from the rear

**78920.**

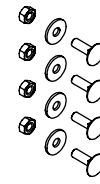
face fixture bracket  
with fishplate for lateral  
fixture, left  
**N.B!**  
not for the operation side:  
• interior operation  
• operation from the rear

**78921.**

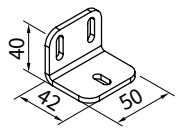
spreader plate  
for face fixture /  
universal bracket  
120 × 100 × 10 mm

**78982.**

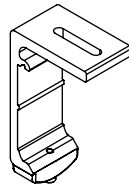
additional angled bracket  
for reveal fixture  
100 × 120 × 60 mm  
please order additional  
accessories 792931

**77220.**

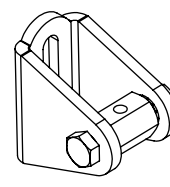
accessories for two  
angled brackets 77220.  
or 78565.

**792931**

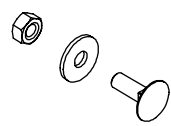
additional angled bracket  
for reveal fixture of the  
guide cable  
40 × 40 × 50 mm  
please order additional  
accessories 792931

**78565.**

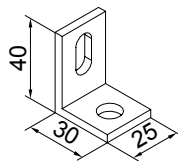
top fixture bracket  
50 mm

**78859.**

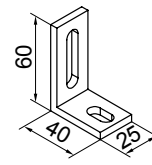
accessories  
for 2 tensioning cables

**78761.**

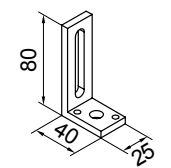
accessories for one  
angled bracket 70930.,  
70940. or 79050.

**799141**

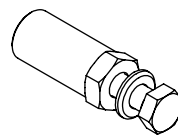
angled bracket  
40 × 30 × 25 mm  
please order additional  
accessories 799141!

**70950.**

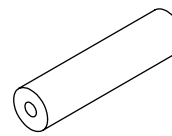
angled bracket  
60 × 40 × 25 mm  
please order additional  
accessories 799141!

**70940.**

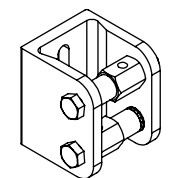
angled bracket  
80 × 40 × 25 mm  
please order additional  
accessories 799141!

**70930.**

bolt reduction assembly  
M 10 → M 6 / SW 13  
pack 10 pcs

**753211**

stand-off fixing tube  
30 × 10 × 1000 mm  
**N.B!**  
max. stand-off distance  
120 mm

**701668**

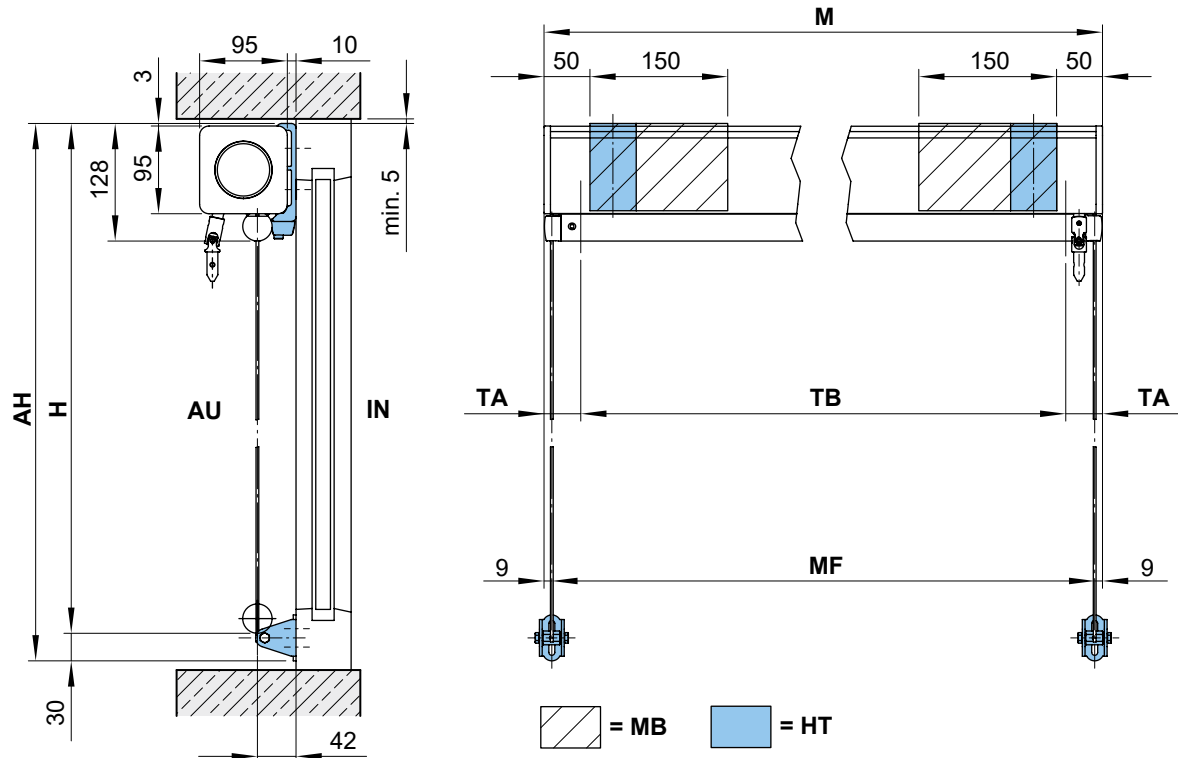
bracket assembly for  
2 guide cables

**78910.**

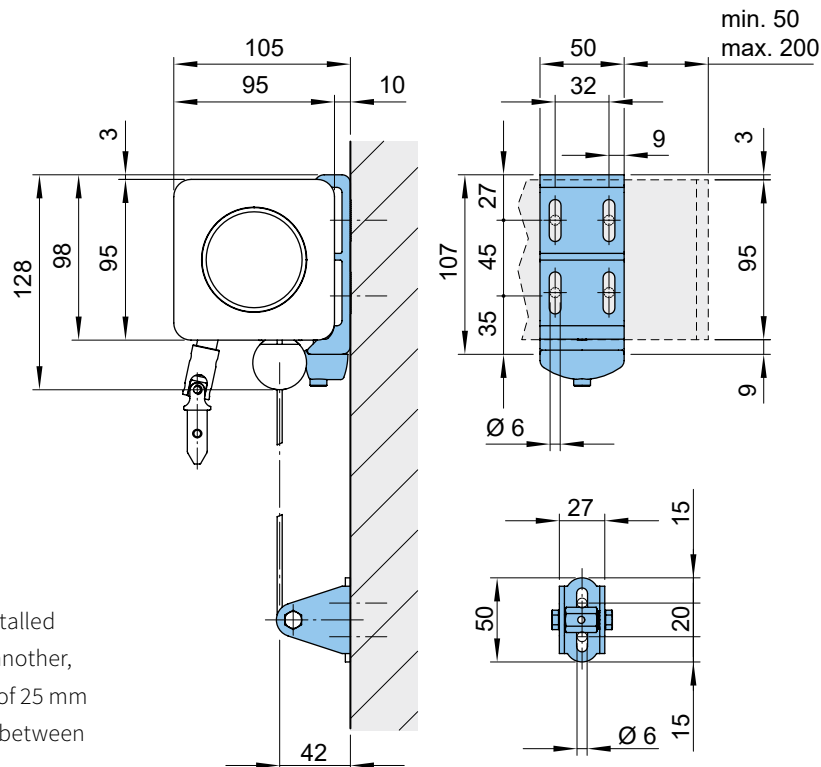


# markilux 710

## Dimension overview



## Face fixture



**N.B.!** If blinds are installed directly next to one another, a minimum distance of 25 mm must be maintained between the two blinds.

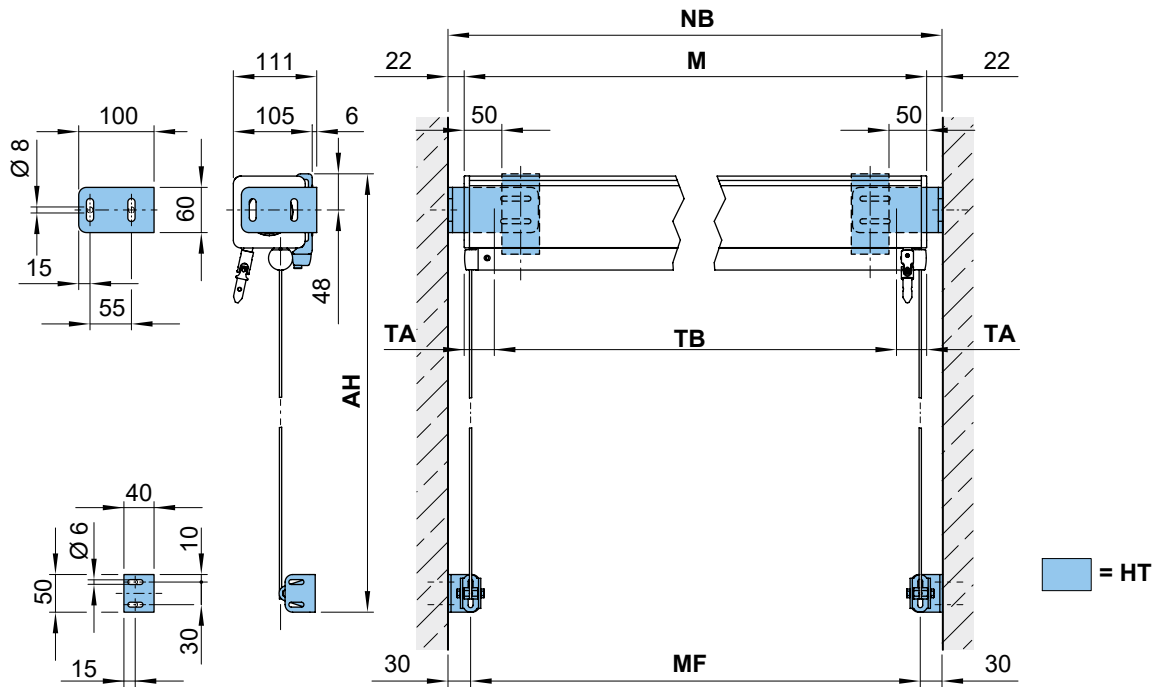
- AH** = unit height
- AU** = exterior
- H** = drop
- HT** = bracket
- IN** = interior

- M** = overall blind width
- MB** = bracket fixture range
- MF** = centre of the cable guide, centre of the stainless steel guide rod, fixture width
- TA** = cover width deductions (operation side = 50 mm, bearing side = 30 mm)
- TB** = cover width

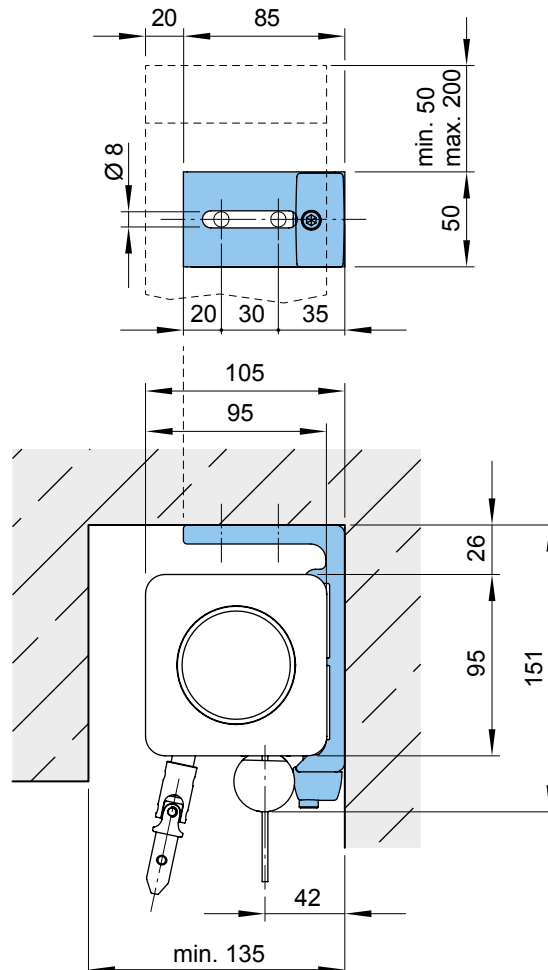
dimensions in mm

01 **markilux 710**

02 Reveal fixture, manual operation or motor drive



10 **Reveal fixture in a top window well, manual operation**



- AH = unit height
- HT = bracket
- M = overall blind width
- MF = centre of the cable guide, centre of the stainless steel guide rod, fixture width
- NB = reveal width
- TA = cover width deductions  
(operation side = 50 mm, bearing side = 30 mm)
- TB = cover width

dimensions in mm





01 **markilux 710**

02 Crank handle, operation from the rear

03

04

05

06

07

08

09

10

11

12

13

14

15

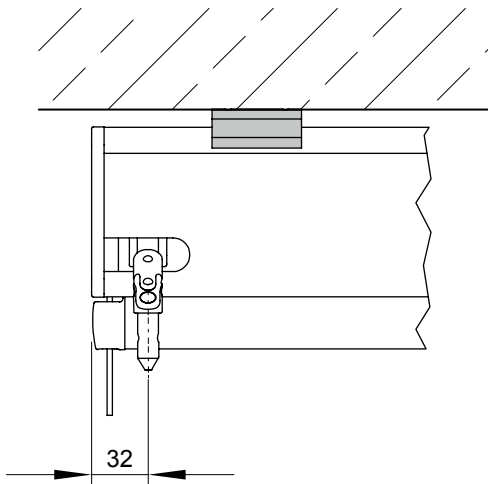
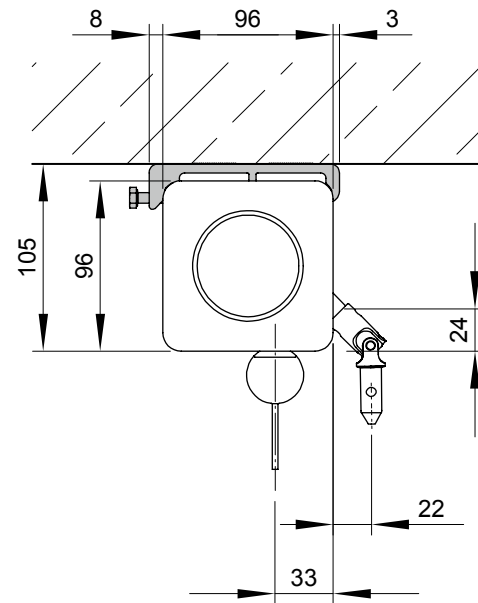
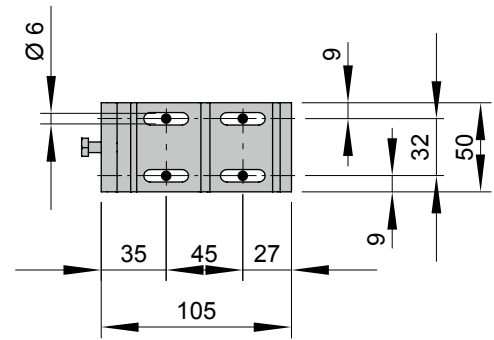
16

17

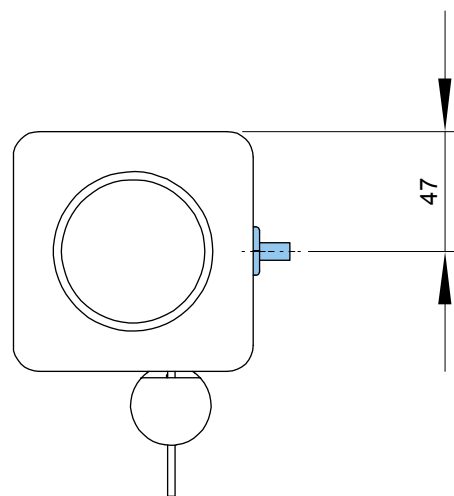
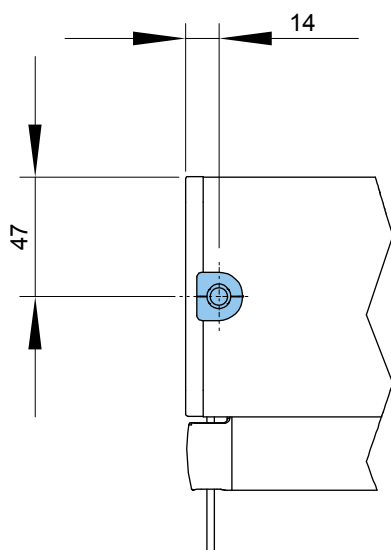
18

19

20



16 Motor cable exit point



dimensions in mm

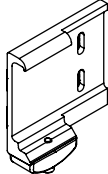
# markilux 810

## Fixtures, fittings and accessories



Face fixture bracket  
50 mm

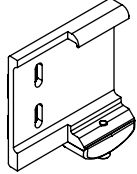
**78726.**



face fixture bracket with fishplate for lateral fixture, right

**N.B!**  
not for the operation side:  
• interior operation  
• operation from the rear

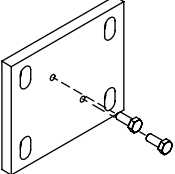
**78748.**



face fixture bracket with fishplate for lateral fixture, left

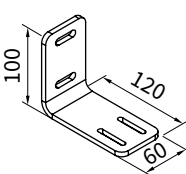
**N.B!**  
not for the operation side:  
• interior operation  
• operation from the rear

**78749.**



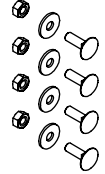
spreader plate for face fixture / universal bracket  
120 × 100 × 10 mm

**78952.**



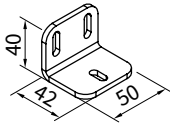
additional angled bracket for reveal fixture  
100 × 120 × 60 mm  
please order additional accessories 792931

**77220.**



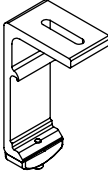
accessories for two angled brackets 77220. or 78565.

**792931**



angled plate for reveal fixture of guide cable  
40 × 40 × 50 mm  
please order additional accessories 792931

**78565.**



top fixture bracket  
50 mm

**78727.**



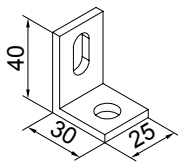
accessories for 2 tensioning cables

**78761.**



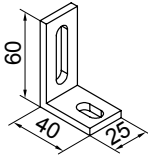
accessories for one angled bracket 70930., 70940. or 79050.

**799141**



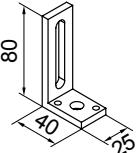
angled bracket  
40 × 30 × 25 mm  
please order additional accessories 799141!

**70950.**



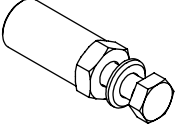
angled bracket  
60 × 40 × 25 mm  
please order additional accessories 799141!

**70940.**



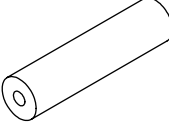
angled bracket  
80 × 40 × 25 mm  
please order additional accessories 799141!

**70930.**



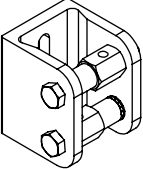
bolt reduction assembly M 10 → M 6 / SW 13  
pack 10 pcs

**753211**



stand-off fixing tube  
30 × 10 × 1000 mm  
**N.B!**  
max. stand-off distance 120 mm

**701668**



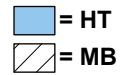
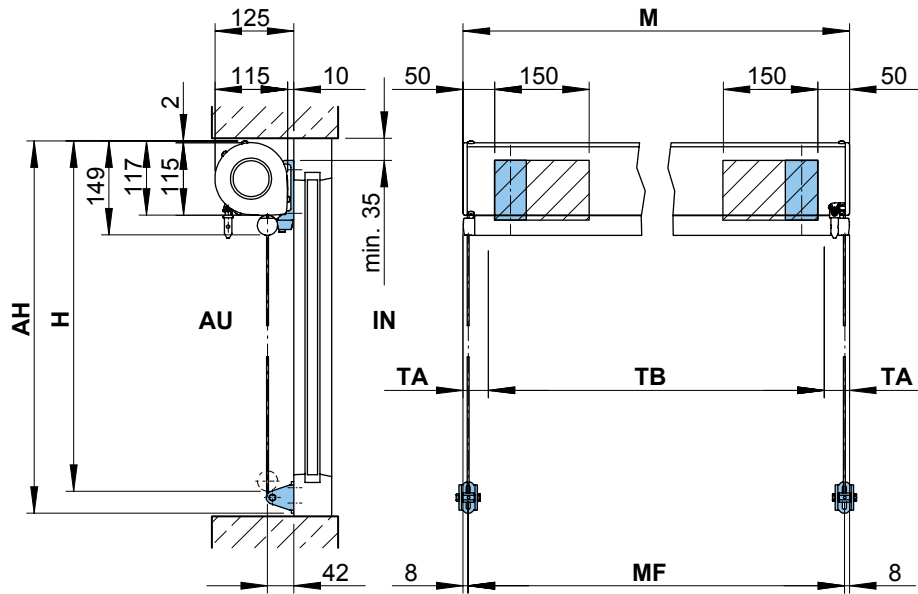
bracket assembly for 2 guide cables

**78910.**

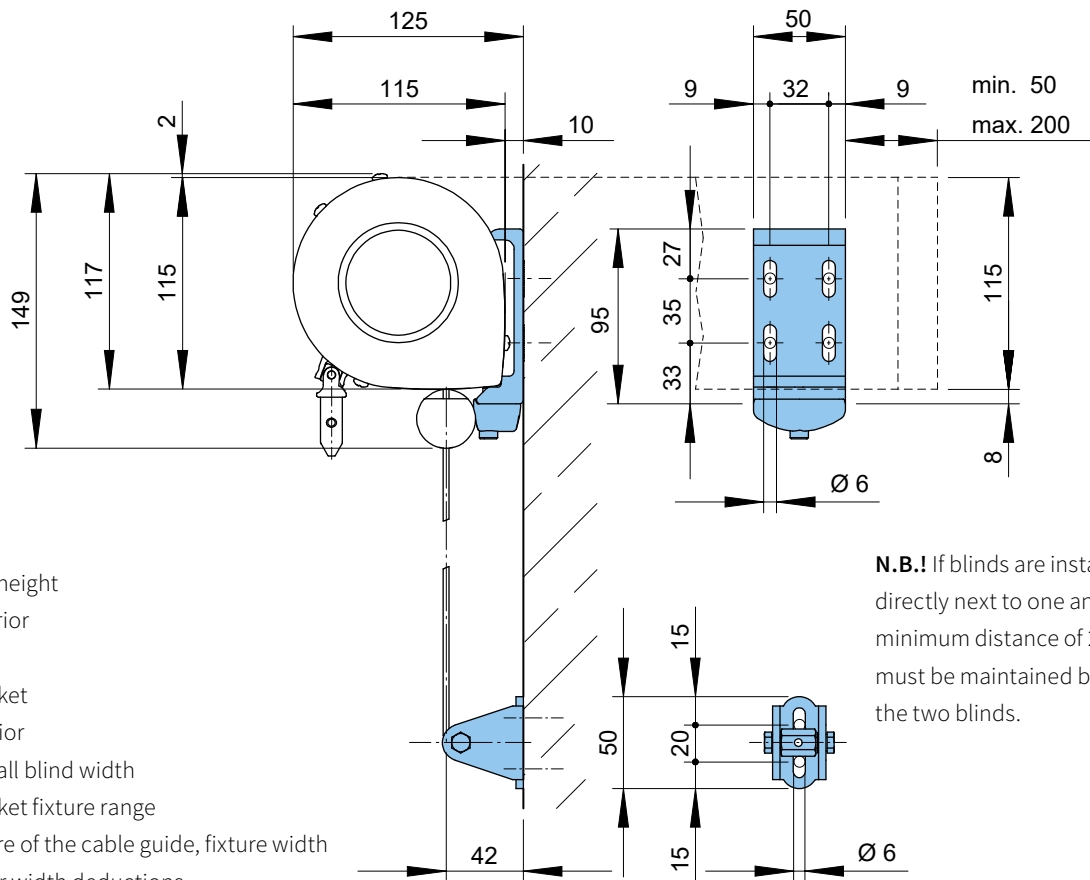
01  
02  
03  
04  
05  
06  
07  
08  
09  
**10**  
11  
12  
13  
14  
15  
16  
17  
18  
19  
20

01 **markilux 810**

02 Dimension overview



10 **Face fixture**



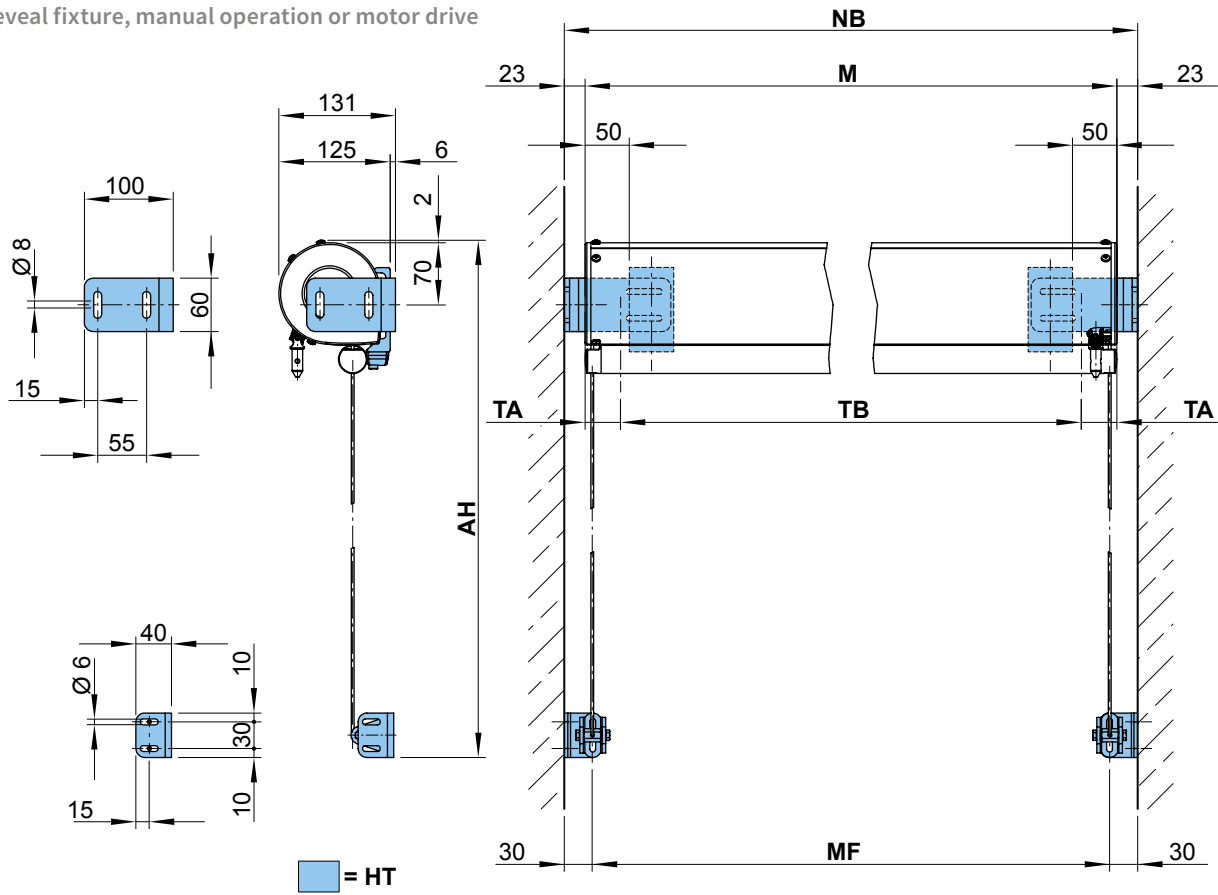
**N.B.!** If blinds are installed directly next to one another, a minimum distance of 25 mm must be maintained between the two blinds.

- AH = unit height
- AU = exterior
- H = drop
- HT = bracket
- IN = interior
- M = overall blind width
- MB = bracket fixture range
- MF = centre of the cable guide, fixture width
- TA = cover width deductions  
(operation side = 50 mm, bearing side = 30 mm)
- TB = cover width

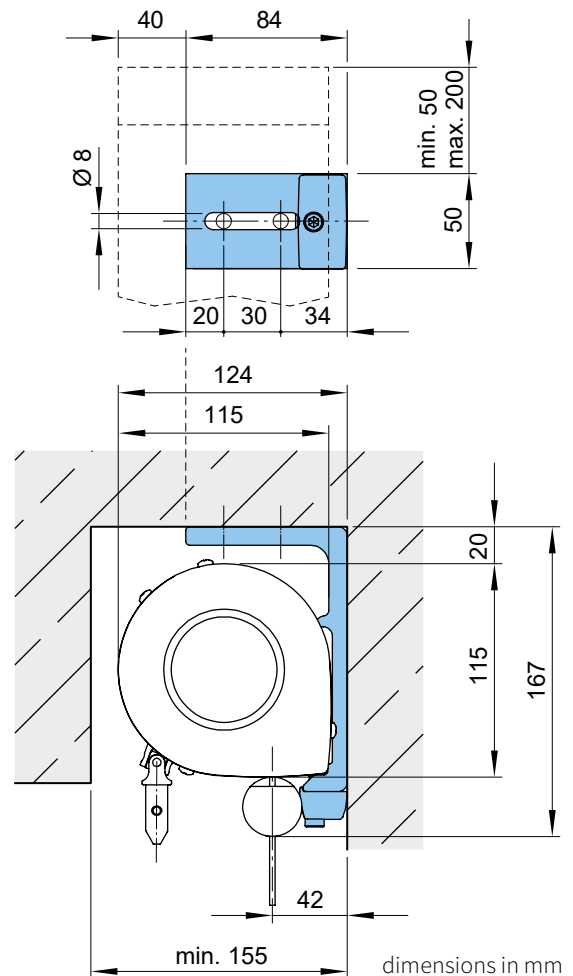
dimensions in mm

# markilux 810

Reveal fixture, manual operation or motor drive



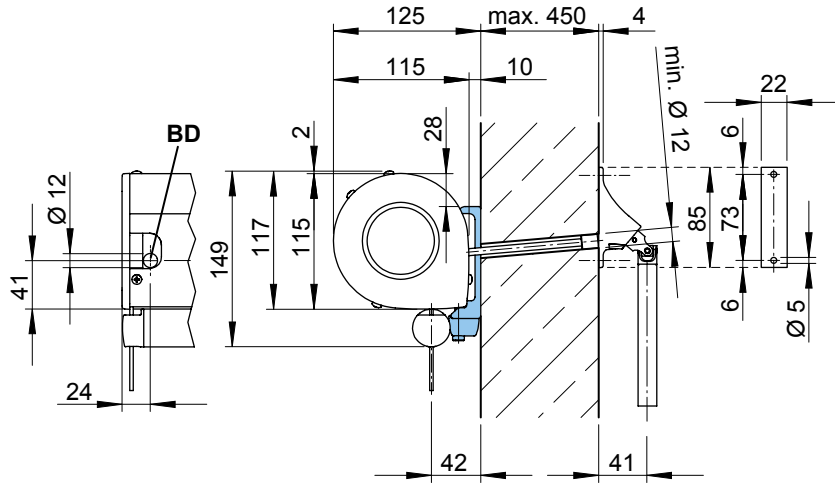
Reveal fixture in a top window well, manual operation



- AH = unit height
- HT = bracket
- M = overall blind width
- MF = centre of the cable guide, centre of the stainless steel guide rod, fixture width
- NB = reveal width
- TA = cover width deductions (operation side = 50 mm, bearing side = 30 mm)
- TB = cover width

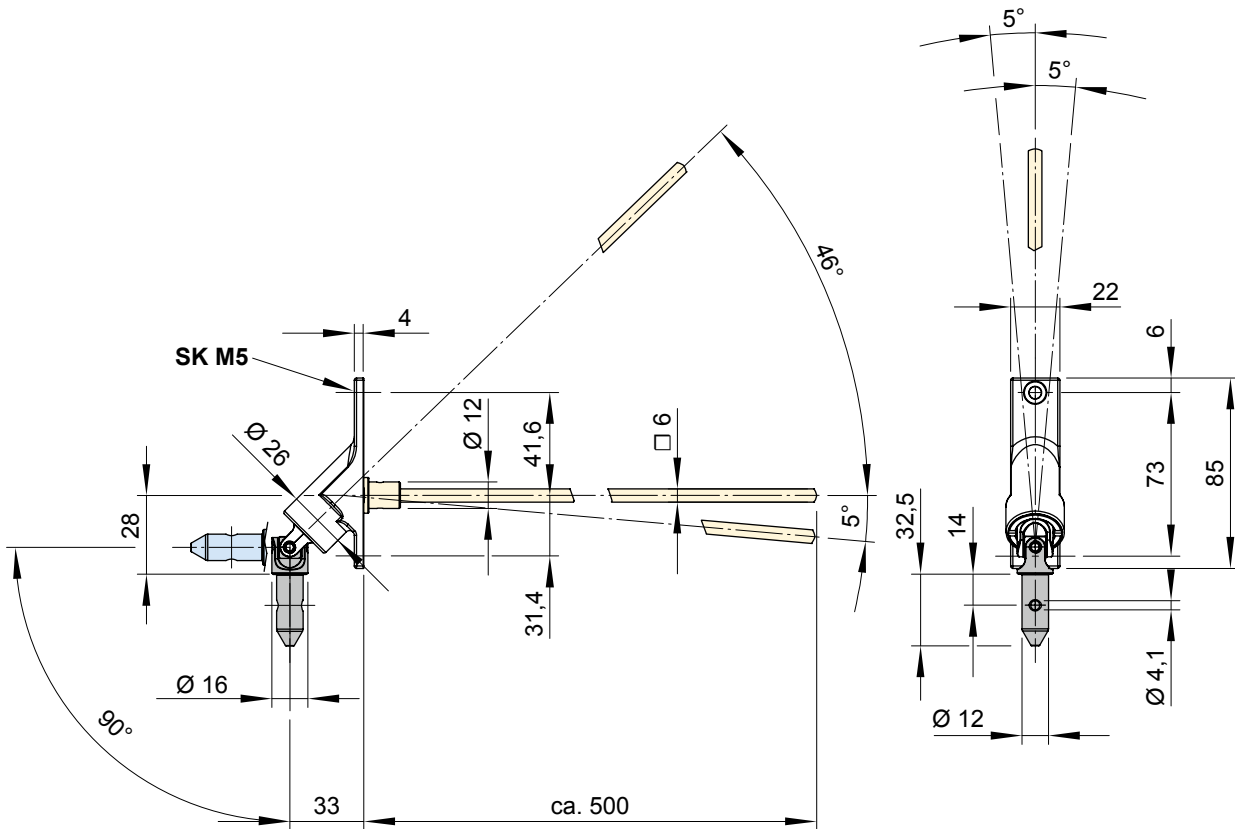
01 **markilux 810**

02 Face fixture, manual operation with interior operation



10

11  
12  
13 Handle for interior operation

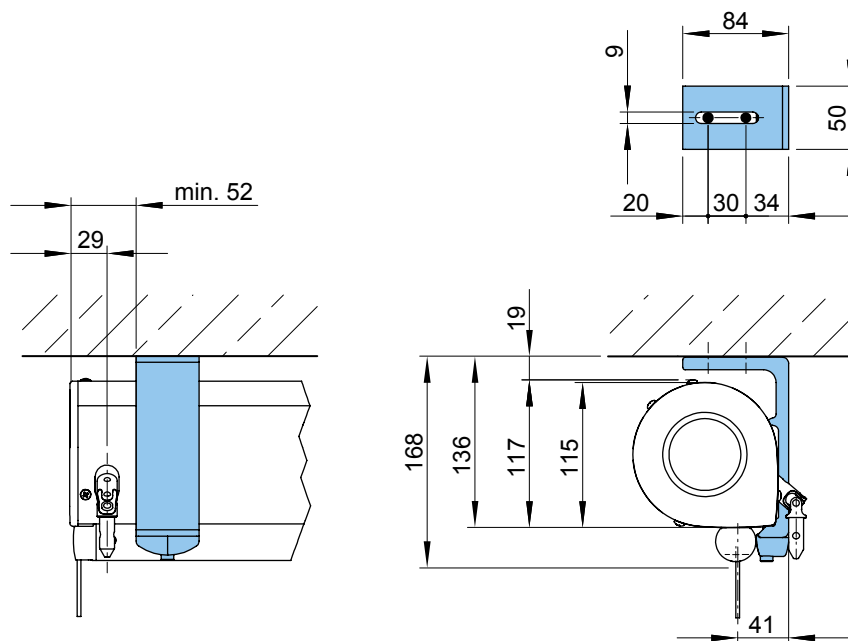


BD = horizontal drill hole  
SK = countersunk srew hole M5

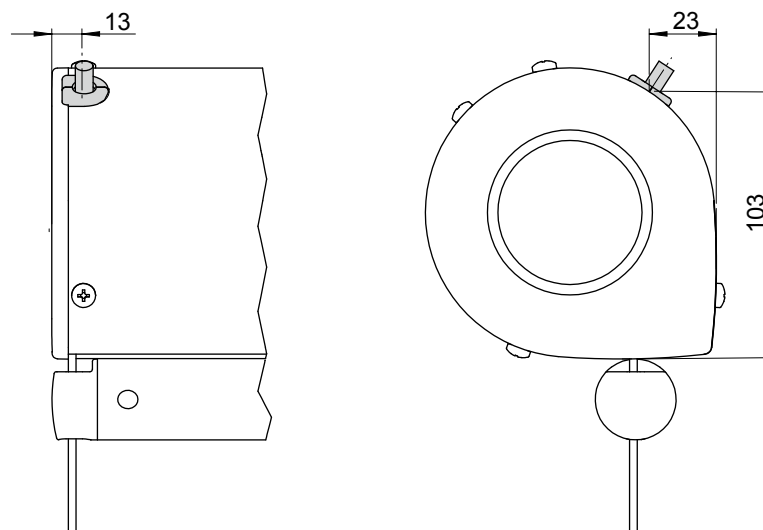
dimensions in mm

# markilux 810

Crank handle, operation from the rear



Motor cable exit point



dimensions in mm

01  
02  
03  
04  
05  
06  
07  
08  
09  
**10**  
11  
12  
13  
14  
15  
16  
17  
18  
19  
20



01

02

03

04

05

06

07

08

09

**10**

11

12

13

14

15

16

17

18

19

20