

***markilux* 730/830**

Drop-arm cassette awnings with gas piston tensioned arms.
Made-to-measure shading, as and where you require it



markilux 730/830

Drop-arm cassette awnings with gas piston tensioned arms
Adjust the awning so you get just the amount of shade you need.

- design features**
- compact, square and discreet the cassette profile made of extruded aluminium is only 95 mm in height
 - when retracted the cover is protected from the weather by the cassette, which encloses it completely.
 - for long-lasting attractiveness the awning has been powder coated.
 - one-piece covers made from widely woven, plain awning fabrics make it possible to do away with seams entirely.
 - in the case of manual operation with a markilux stainless steel winding handle - quality to get to grips with
- technical highlights**
- sturdy, self-supporting cassette made of extruded aluminium
 - extremely solid, stainless steel side plate sheathed in plastic and powder coated
 - operation by means of a smooth gearbox and universal joint
 - sturdy, attractive front profile with spring-assisted closing mechanism - closes the cassette automatically as the awning is retracted
 - gas pistons in the arms ensure that the cover stays taut
- optional accessories**
- awning covers made of acrylic material or sunsilk snc with self-cleaning effect. The cover joints are ultrasonically bonded to give a neater appearance without unsightly stitching.
 - hard-wired motor drive (optionally with automatic controls) for simple, relaxed operation.
 - radio-controlled motor with radio remote control for ease of use
 - an easily installed, radio control sun and wind sensor guarantees comfort and a degree of safety.
 - the telescopic accro bars allow fixture on balconies where there is nowhere to fix the arms
- Larger widths can be supplied as coupled units
 - The many combinations available in arm and cover length make it possible to adjust the amount of shading to individual requirements
 - Interior operation. For manual operation from within the building



markilux 830



markilux 730



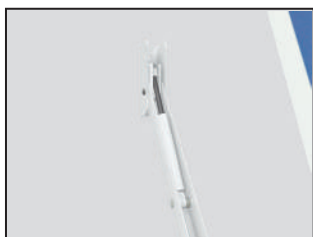
Reveal fixture, round cassette



Reveal fixture, square cassette



Two telescopic aluminium wedge-in accro bars are optional (for heights from 220 cm to 320 cm)



Gas pistons in the drop arms



RAL colours:



optional accessories:



dimensions and configuration options

Cover length	Arm length	Overall blind width																		
		75	100	125	150	175	200	225	250	275	300	350	400	450	500	550	600	650		
120	80	75	76 - 100	101 - 125	126 - 150	151 - 175	176 - 200	201 - 225	226 - 250	251 - 275	276 - 300	301 - 350	351 - 400	401 - 450	451 - 500	501 - 550	551 - 600	601 - 650		
160		160	100	200	200	120	250	250	150	250	250	150	250	250	150	250	250	150	250	
200	200	250		250	250		250	250		250	250		250	250		250	250		250	250
200	120	200	200	120	250	250	150	250	250	150	250	250	150	250	250	150	250	250	150	250
250		200	200		250	250		250	250		250	250		250	250		250	250		250
200	150	200	200	150	250	250	150	250	250	150	250	250	150	250	250	150	250	250	150	250
250		200	200		250	250		250	250		250	250		250	250		250	250		250

dimensions in cm

- = available with 2 cassette brackets
- = available with 3 cassette brackets
- = available with 3 drop arms, 3 cassette brackets and a nylon roller support (split cover)

operation type	
manual operation; handle with bayonet fitting	●
manual operation from inside the building	○
manual operation from the rear	○
motor	○
radio-controlled motor	○
covers	
acrylic 34 (fabric series 341xx-347xx)	○
sunsilk SNC (fabric series 324xx/329xx)	○
transolair (fabric series 339xx)	○
oversized acrylic (fabric series 349xx)	●
signature (fabric series 369xx)	○
Soltis 92	○ ⁹
perfortex (fabric series 333xx)	○
transilk FR (fabric series 319xx)	○
perla FR (fabric series 374xx/379xx)	○
miscellaneous	
sun and wind sensor	○
cover profiles for gap between tracks and cover	-
Wedge-in accro bars	○ ¹⁷
coupled units	
coupled unit 2 fields	○
coupled unit 3 fields	-

- = fitted as standard
- = optional accessory
- = not available
- ⁹ = cover seamless; from an overall width of 178 cm and a cover length of 171 cm with horizontal seam
- ¹⁷ = Wedge-in accro bars may be used up to a maximum width of 400 cm

Standard manual operation with bayonet fitting and universal joint made of stainless steel is operated from outside the building (winding handle lengths 110, 140, 160, 180 or 220 cm).

Manual interior operation with universal joint: This type of operation requires exact fixture, usually means high (labour) costs for the end consumer and can only be employed on single units. We therefore recommend the use of a radio-controlled motor.

Manual operation using a universal joint and from the rear: This operation type should be used with top fixture when the system can be approached from the rear (e.g. on balconies).

In the case of manual operation it takes approximately 24 turns per metre of overall unit height to extend the system.





Extension when using a motor takes approximately 15 seconds per metre.

N.B! If the motor is used continuously it will stop automatically after 3 to 4 minutes to prevent overheating.

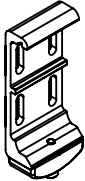
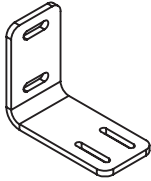
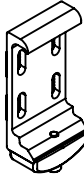
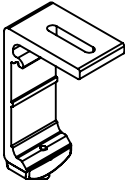
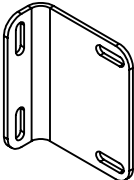
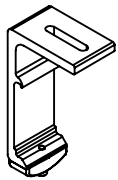
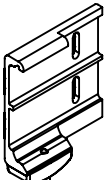
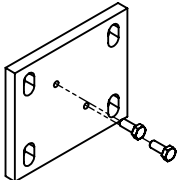
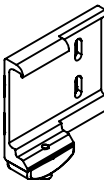
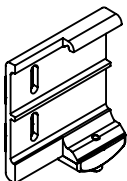
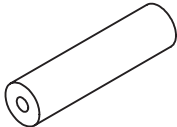
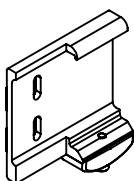
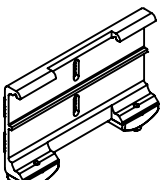
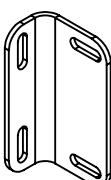
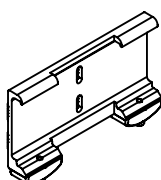
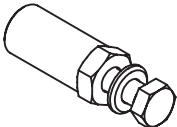
In the case of a **bank of awnings operating simultaneously**, the same speed of rotation of the motors cannot be guaranteed because of the tolerances within the motors themselves.

A maximum of two single units may be joined to make a coupled unit, which may have a maximum of 4 arms and will only be supplied with a motor (surcharge).

Maximum width of a coupled awning: 2 x 400 cm

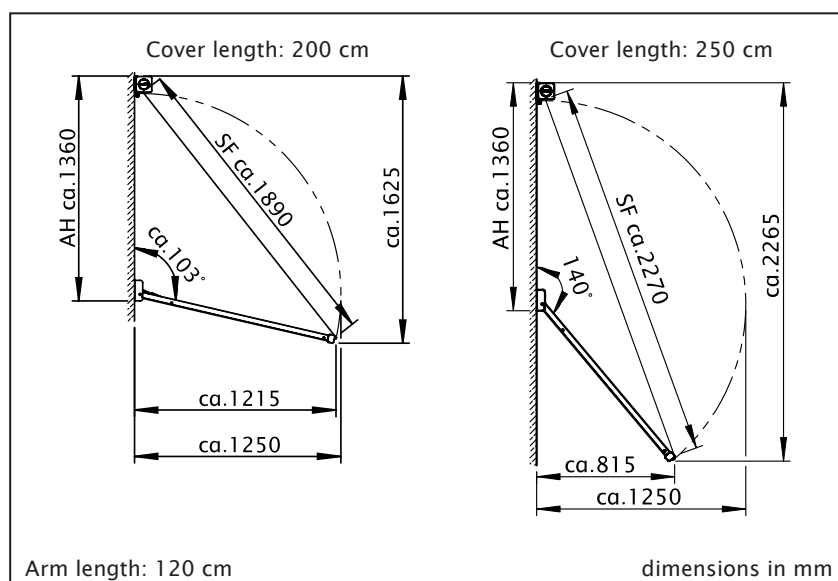
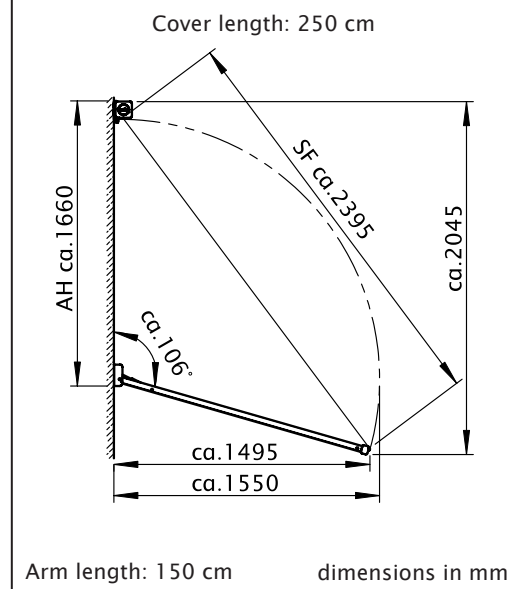
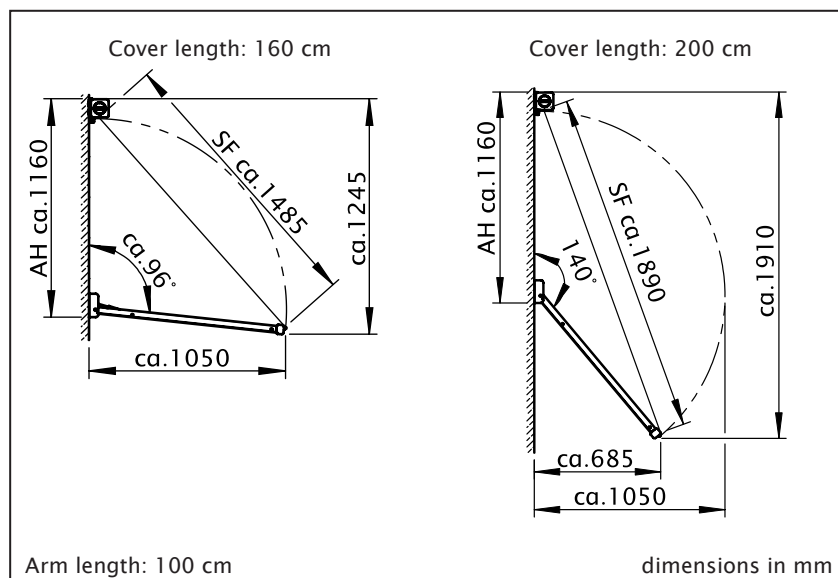
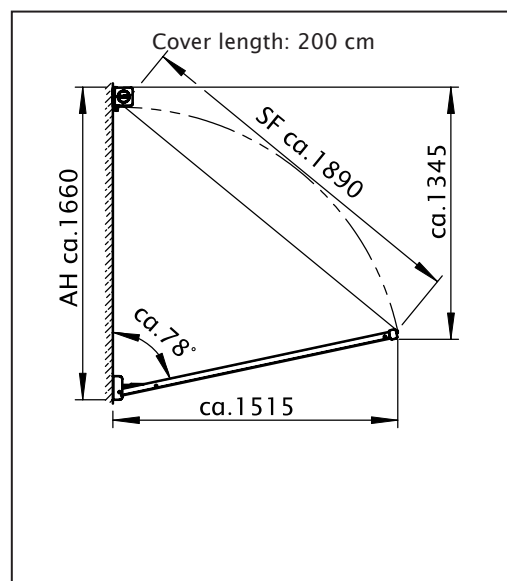
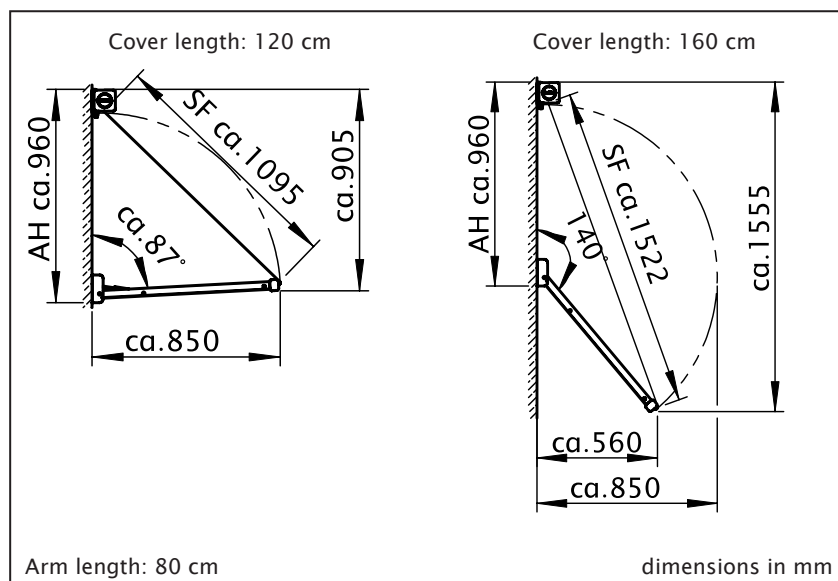
frame colours		
	RAL 9016 traffic white	●
	RAL 8019 grey brown	●
	RAL 9006 metallic aluminium	●
	non-standard RAL colour	○

fixings and accessories

markilux 730	markilux 730/830	markilux 830
 Face fixture bracket assembly 50 mm 78797.	 Additional angled plate for reveal fixture 120x100x60 mm 77220.	 Face fixture bracket assembly 50 mm 78726.
 Top fixture bracket assembly 50 mm 78859.	 Additional angled plate for lateral arm fixture 100x40x125 mm Gearbox side 78913.	 Top fixture bracket assembly 50 mm 78727.
 Face fixture bracket assembly with plate "right" for lateral fixture N.B! Not for the operation side: - Interior operation - operation from the rear 78920.	 Fixture plate assembly for face/universal brackets 100x120x10 mm 78982.	 Face fixture bracket assembly with plate "right" for lateral fixture N.B! Not for the operation side: - Interior operation - operation from the rear 78748.
 Face fixture bracket assembly with plate "left" for lateral fixture N.B! Not for the operation side: - Interior operation - operation from the rear 78921.	 Stand-off fixing tube 30x10x1000 mm N.B! stack to a max. of 120 mm 701668	 Face fixture bracket assembly with plate "left" for lateral fixture N.B! Not for the operation side: - Interior operation - operation from the rear 78749.
 Face fixture bracket assembly for coupled units for central fixture 78922.	 Additional angled plate for lateral arm fixture 65x40x125 mm Bearing/motor drive side 78912.	 Face fixture bracket assembly for coupled units for central fixture 78745.
 Reduction assembly M 10 - M 6 / SW 13 30mm length (e.g. in the case of external insulation, instructions for use v. the chapter "Technical Information") 753211		

. = insert RAL colour code no.

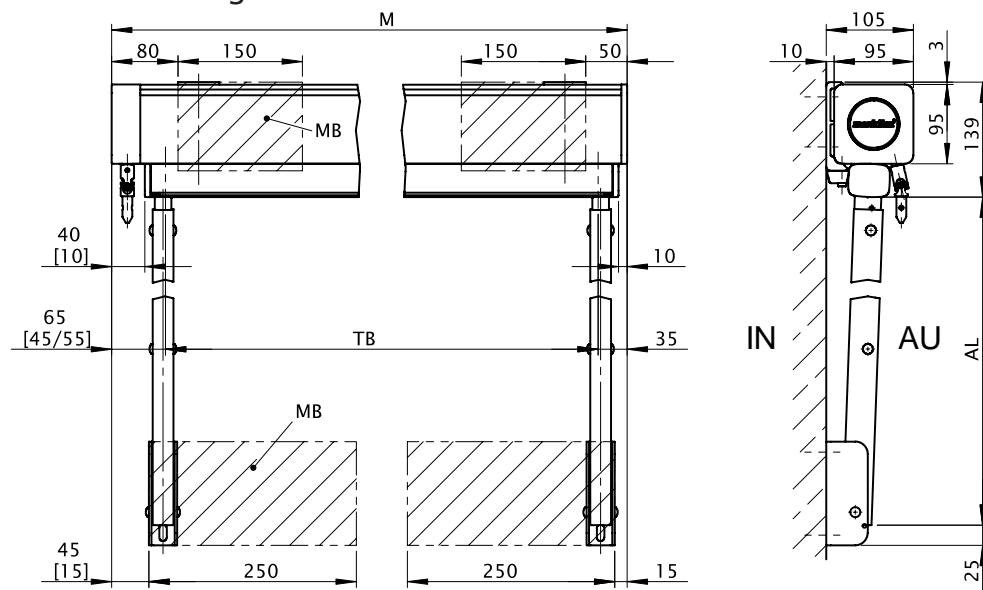
Window coverage at different standard cover and arm lengths



AH = overall unit height
SF = visible cover length

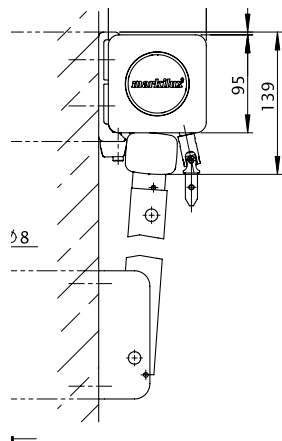
How to fit the markilux 730

Schematic diagram of the dimensions



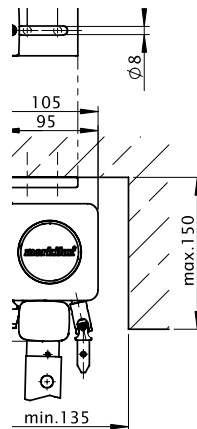
dimensions in mm

Face fixture



dimensions in mm

Top and reveal fixture

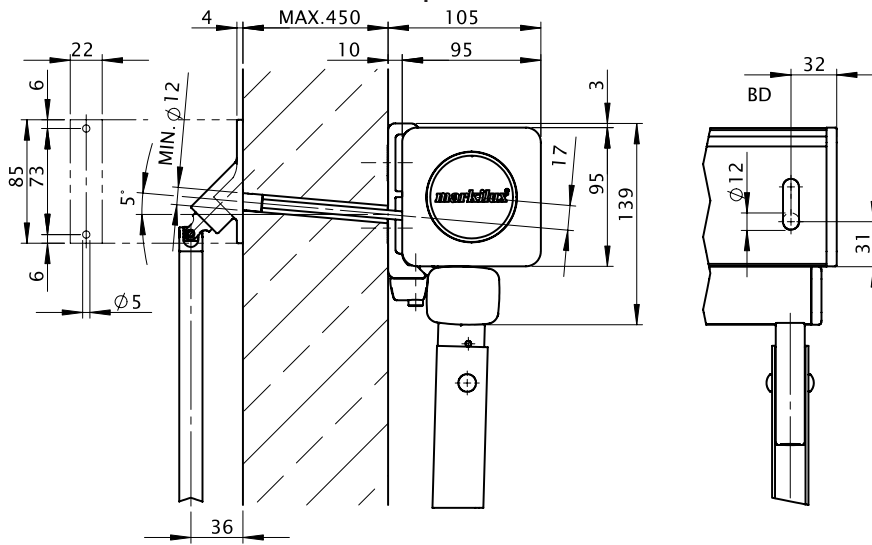


dimensions in mm

- M = overall awning width
- MB = fixture position
- TB = cover width
- IN = interior
- AU = exterior
- AL = arm length
- [] = dimensions in the case of operation by motor or using a handle for interior use

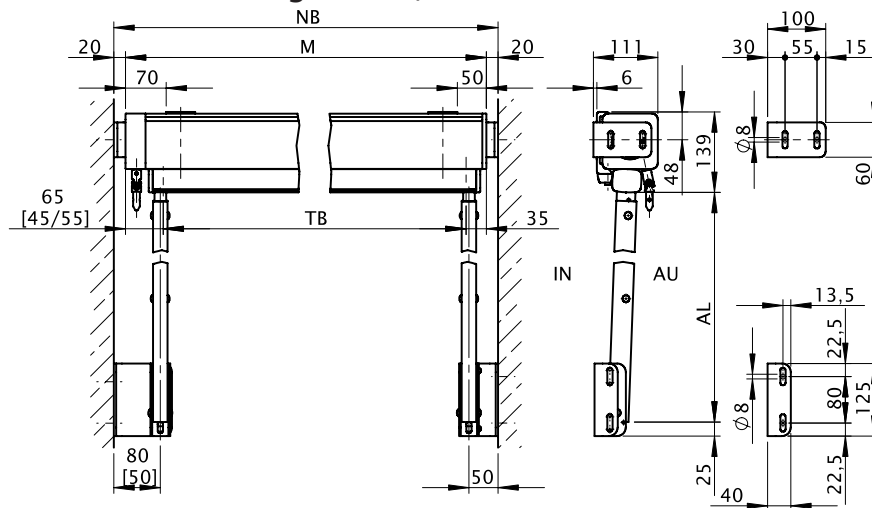
How to fit the markilux 730

Face fixture with interior operation



dimensions in mm

Reveal fixture for gearbox/motor

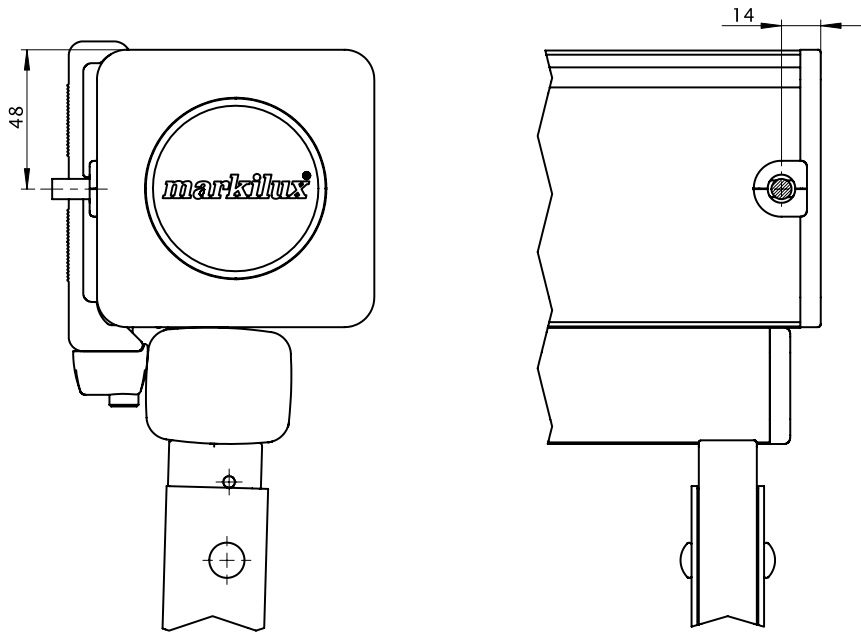


dimensions in mm

- NB = reveal width
- M = overall awning width
- TB = cover width
- [] = dimensions in the case of operation by motor or using a handle for interior use
- IN = interior
- AU = exterior
- AL = arm length
- BD = horizontal drill hole

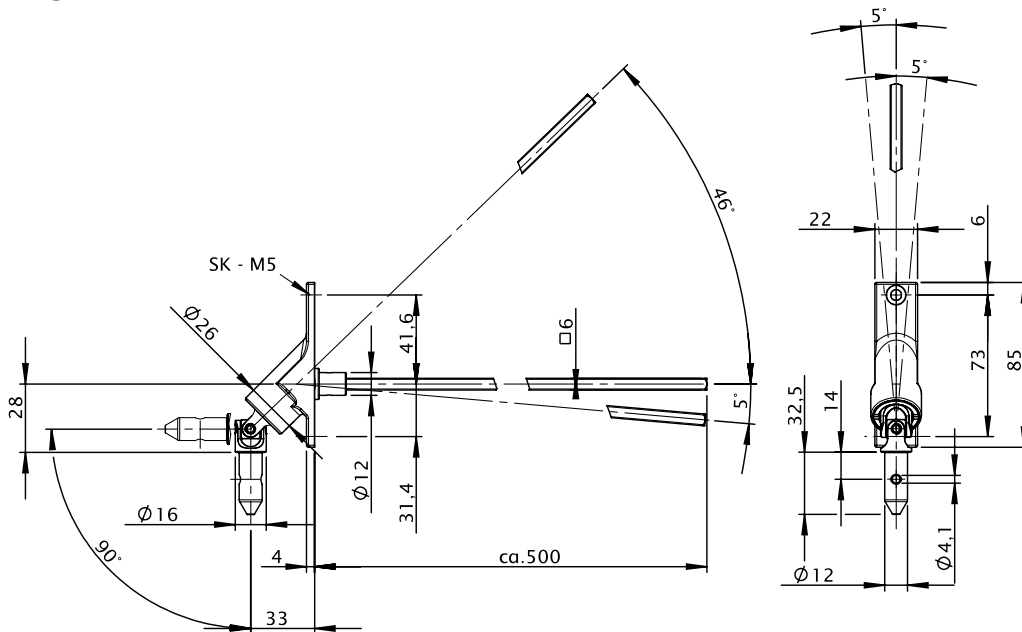
How to fit the markilux 730

Cable exit on motor-driven units



dimensions in mm

Handle for interior operation \varnothing 16 mm up to a vertical angle of 90° and a horizontal angle of 5°

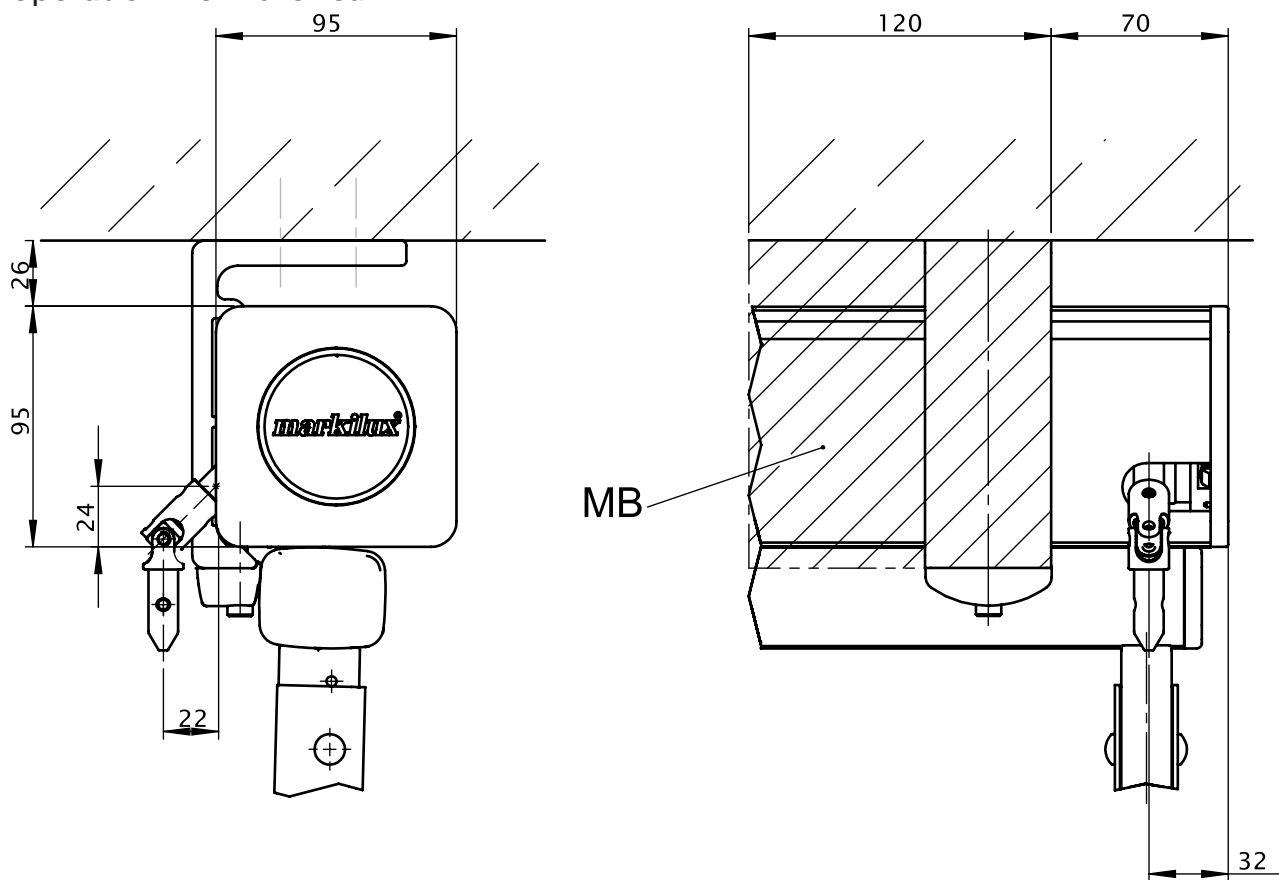


dimensions in mm

SK = drop

How to fit the markilux 730

operation from the rear

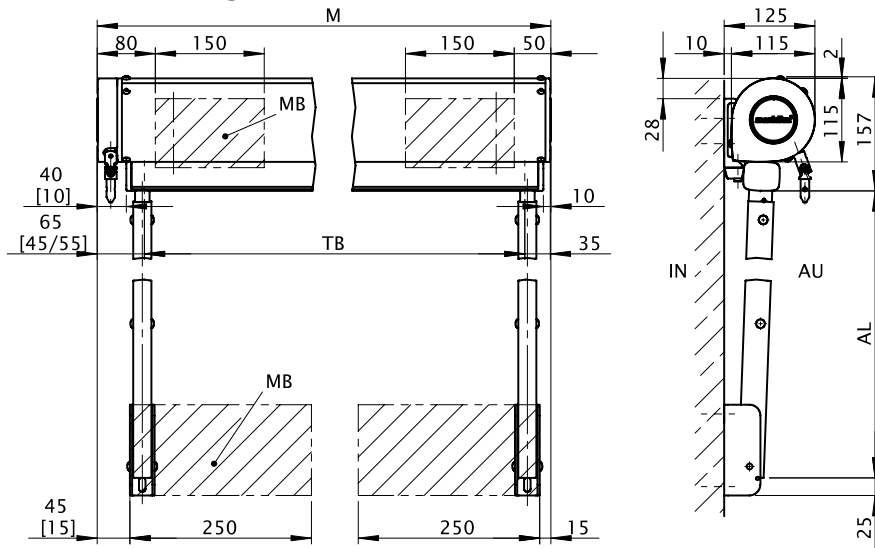


dimensions in mm

MB = fixture position

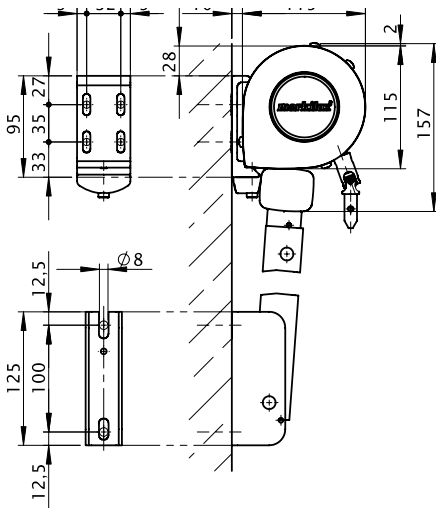
How to fit the markilux 830

Schematic diagram of the dimensions



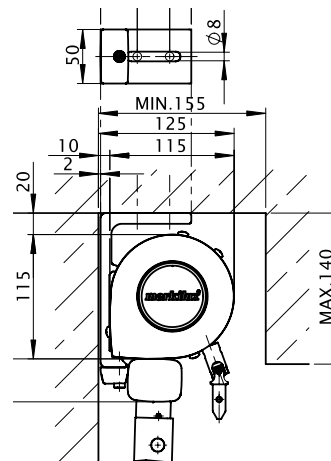
dimensions in mm

Face fixture



dimensions in mm

Top and reveal fixture

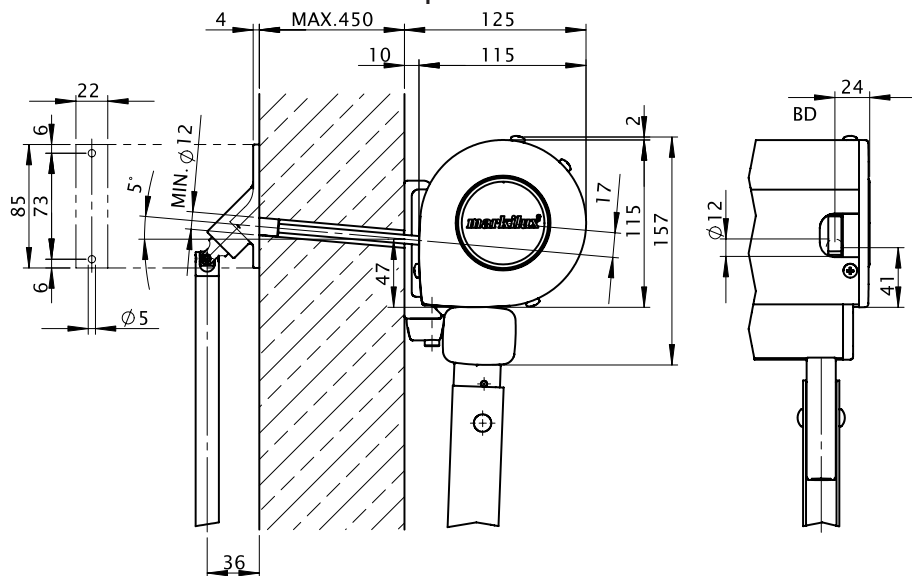


dimensions in mm

- M = overall awning width
- MB = fixture position
- TB = cover width
- IN = interior
- AU = exterior
- AL = arm length
- [] = dimensions in the case of operation by motor or using a handle for interior use

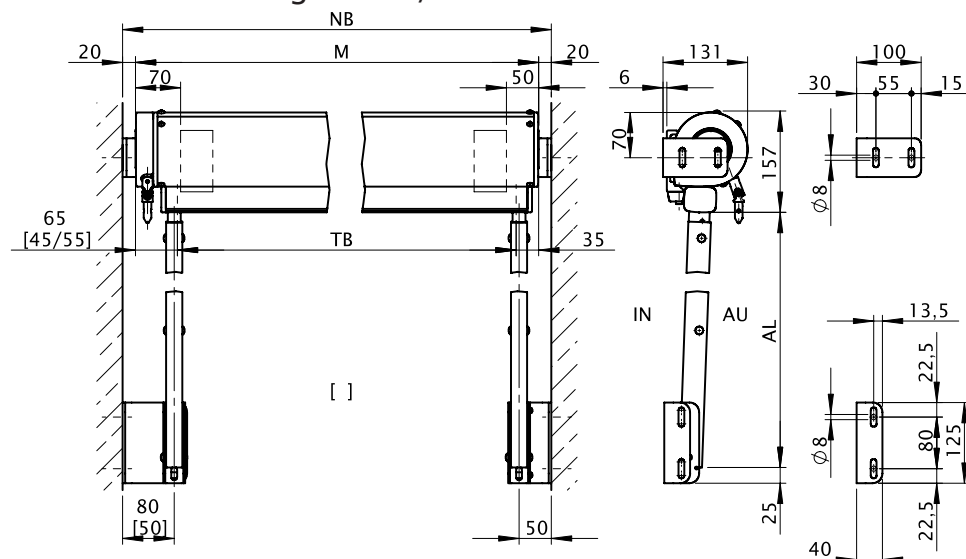
How to fit the markilux 830

Face fixture with interior operation



dimensions in mm

Reveal fixture for gearbox/motor

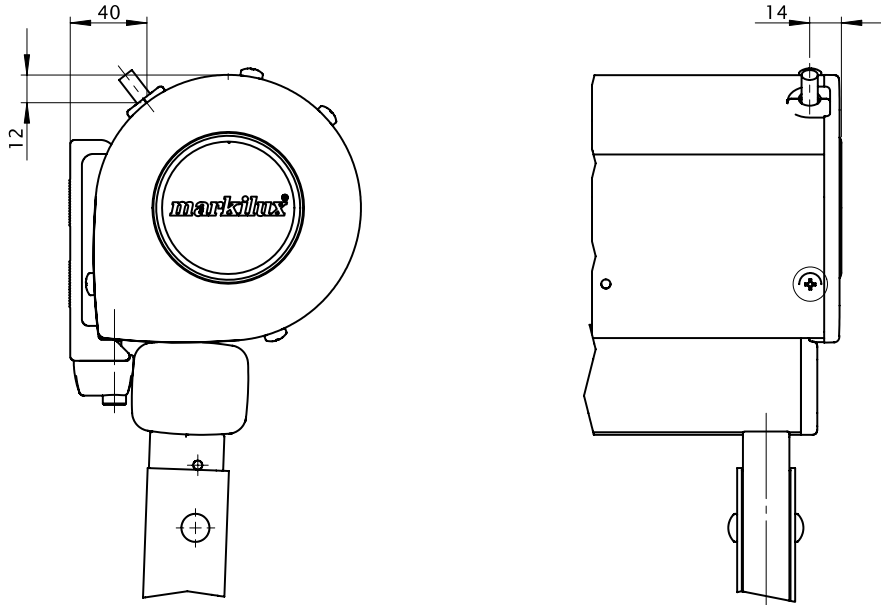


dimensions in mm

- NB = reveal width
- M = overall awning width
- TB = cover width
- [] = dimensions in the case of operation by motor or using a handle for interior use
- IN = interior
- AU = exterior
- AL = arm length
- BD = horizontal drill hole

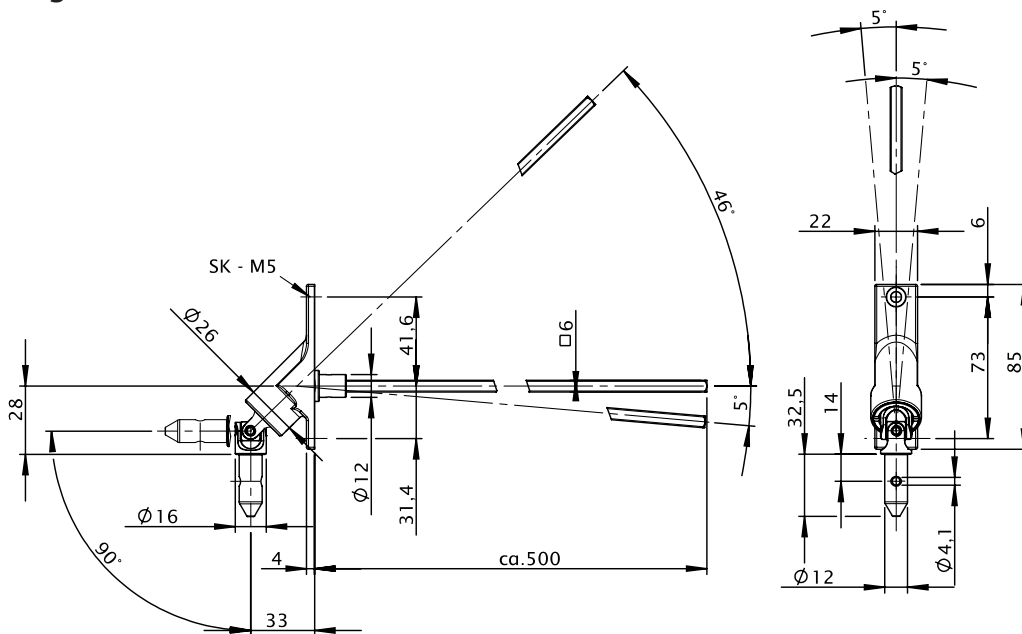
How to fit the markilux 830

Cable exit on motor-driven units



dimensions in mm

Handle for interior operation \varnothing 16 mm up to a vertical angle of 90° and a horizontal angle of 5°

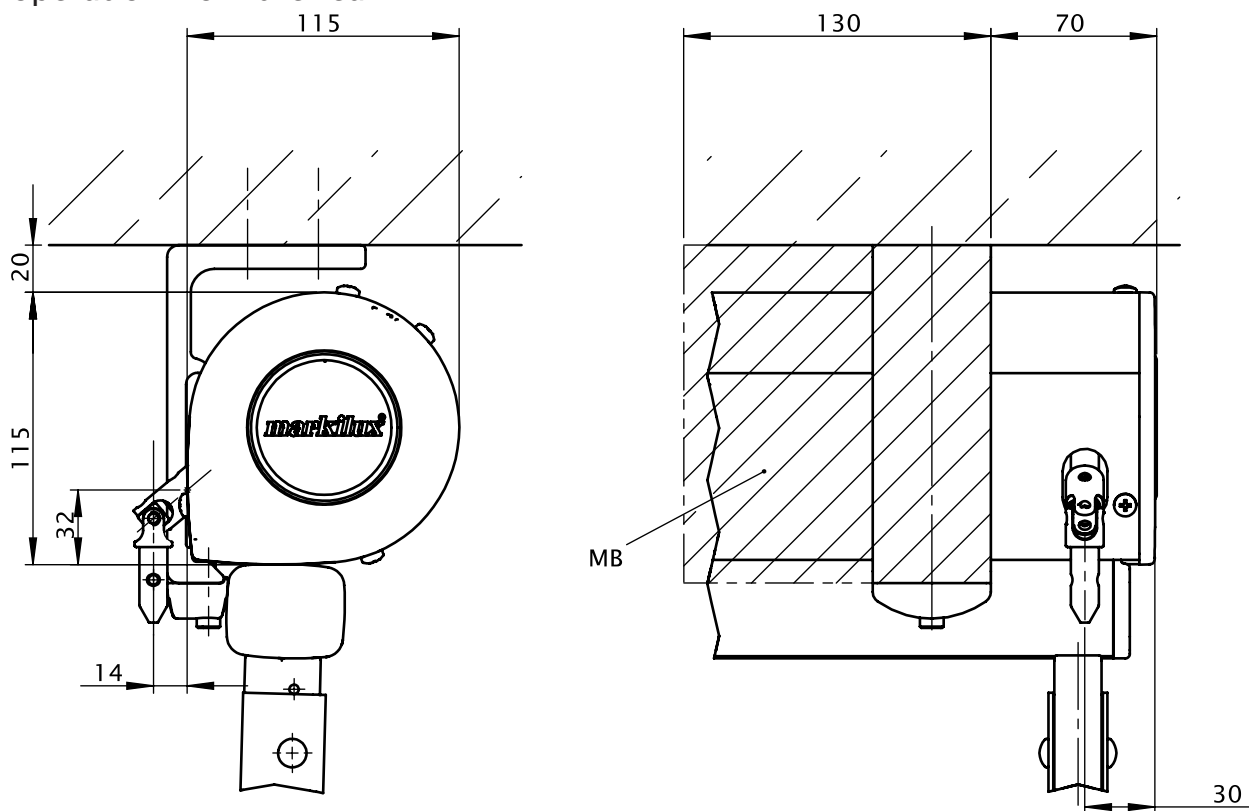


dimensions in mm

SK = drop

How to fit the markilux 830

operation from the rear



dimensions in mm

MB = fixture position