



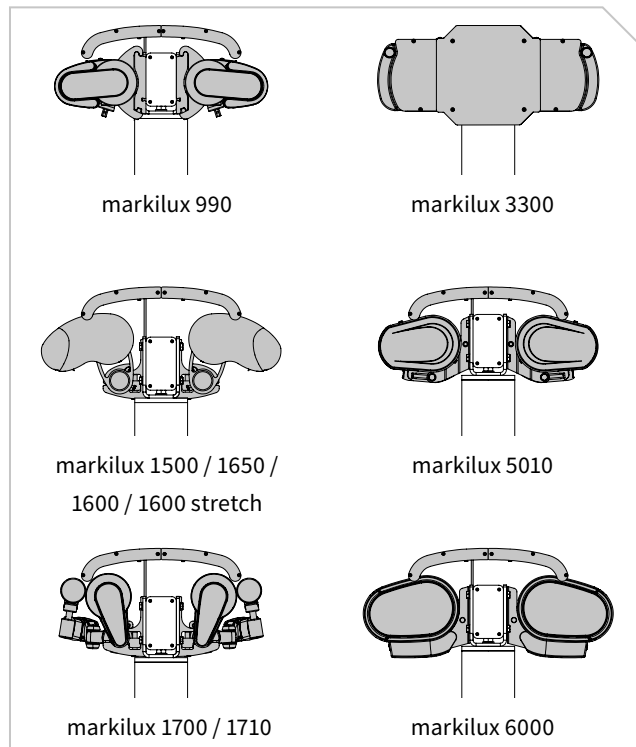
markilux syncra 2 flex / syncra 2 uno flex

Stylish solar shading and weather protection for large areas
Sleek, slender and attractive

rated to wind resistance class 2
(corresponds to Beaufort 5)

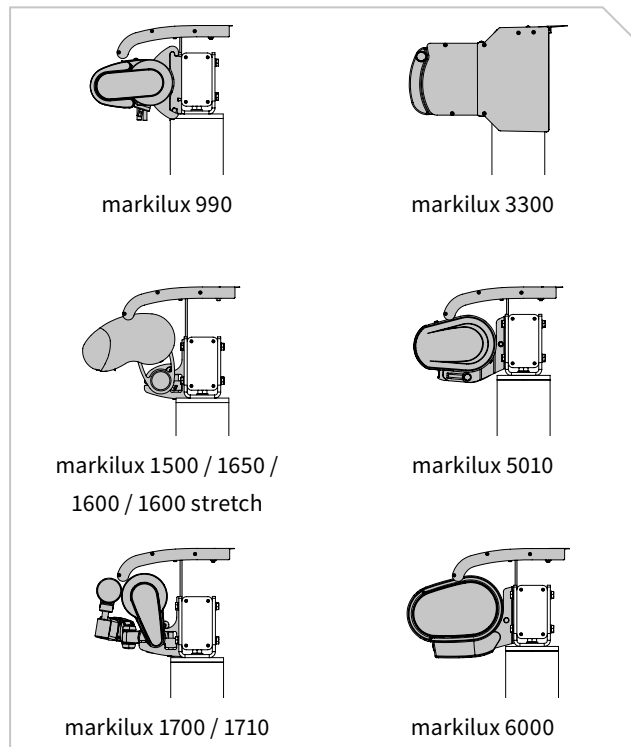
markilux syncra 2 flex

with two folding-arm awnings



markilux syncra 2 uno flex

with one folding-arm awning



Design Features

sturdy awning stand system made of steel, purist in style

the appearance of the markilux syncra 2 harmonises perfectly with the design of the various awning models

protection from the sun and the rain in exposed areas (water drainage is guaranteed by the 15° pitch, at which the folding-arm awnings are permanently set)

instead of weighing down the stabilisation boxes with ballast, they could also be filled with soil and used as planters (open standard version)

optionally the stabilisation boxes can be fitted with wooden tops or aluminium covers

Technical Specification

free-standing awning frame system with round aluminium support posts and new cross member for the installation of folding-arm awnings (in the case of the syncra 2 – flex two folding-arm awnings, in the case of the syncra 2 uno flex – one folding-arm awning)

easily erected, weigh the stabilisation boxes down on site with sand, gravel, pebbles or soil

independent use of the individual awnings

can be placed wherever you like, no foundations required

especially well suited to properties, to which it is impossible (inadequate substrate) to fit an awning

can be positioned on the patio or in your favourite spot out in the open

Optional Accessories

polyester powder coating in non-standard colours is available to individual order (prices on request, longer lead time)

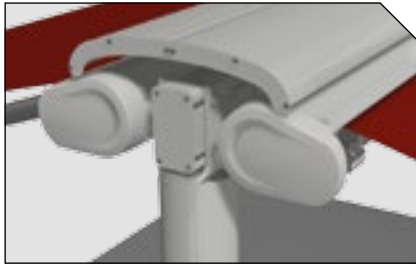
folding-arm awnings are optionally available with hard-wired or radio-controlled motor with markilux remote control

for model specifications as well as configuration options, colours and dimensions, please consult the relevant sections of the sales manual for each individual awning type

please ask us about awning dimensions which have been excluded from the dimension matrix

markilux syncra 2 flex
with two folding-arm awnings

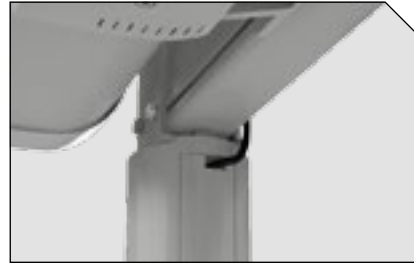
coverboard system – illustrated by way of the markilux 5010



markilux syncra 2 uno flex
with one folding-arm awning



internal cavity for convenient storage and protection of any cabling



fill each of the stabilisation boxes on site with at least 625 kg of sand, gravel, pebbles or soil.



the new cross member ensures easy and flexible fixture of any markilux folding-arm awning

illustrated by way of example with the face fixture bracket of the markilux 6000

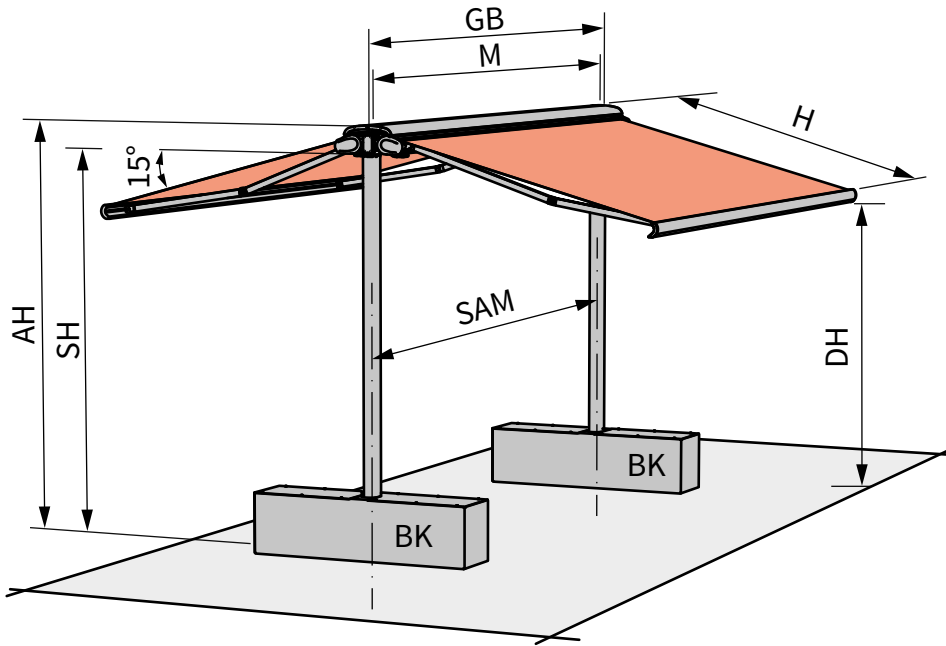
stabilisation box options shown by way of example with the markilux syncra 2 uno flex: open (standard, illustration on the left), with wooden top (optional, illustration in the centre) or with an aluminium cover (optional, illustration on the right),



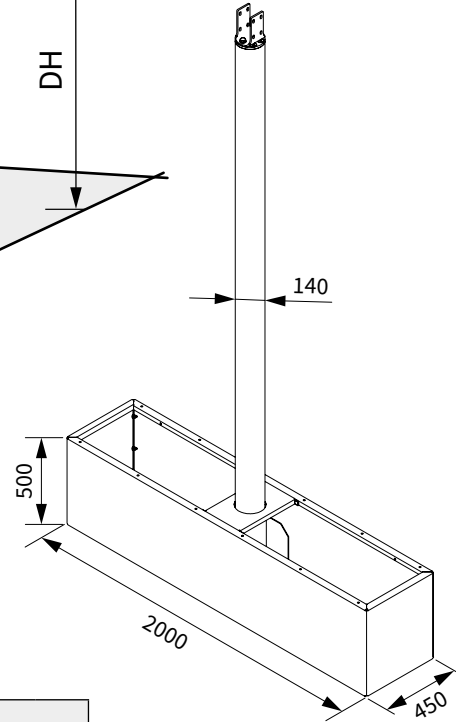
For configuration options, colours and dimensions please consult the relevant sections of the sales manual for each individual awning type or the section referring to the pergola 110 / 210.

Installation dimensions

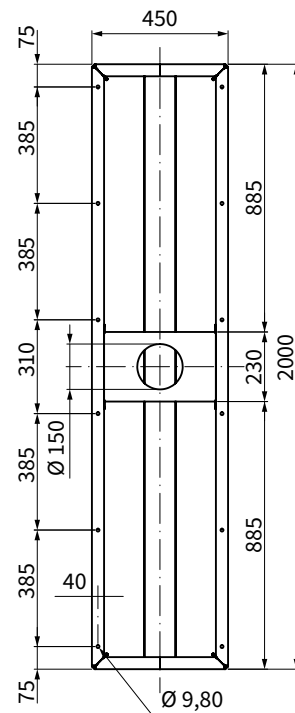
syncra 2 flex with two folding-arm awnings



Fill each of the stabilisation boxes on site with at least **625 kg of sand, gravel, pebbles or soil**



	AH	SAM	GB	DH					
				2930	2790	2660	2520	2390	
markilux 6000	3400	M - 140	M	2930	2790	2660	2520	2390	
markilux 5010									2380
markilux 3300									-
markilux 990	3420	M - 162	M	2920	2780	2650	2510	-	
markilux 1700 / 1700 stretch									2430
markilux 1710 / 1710 stretch	3480	M - 140	M	2970	2830	2700	2560	-	
markilux 1600 / 1600 stretch / 1650								2430	
markilux 1500								-	
				2000	2500	3000	3500	4000	
				H					

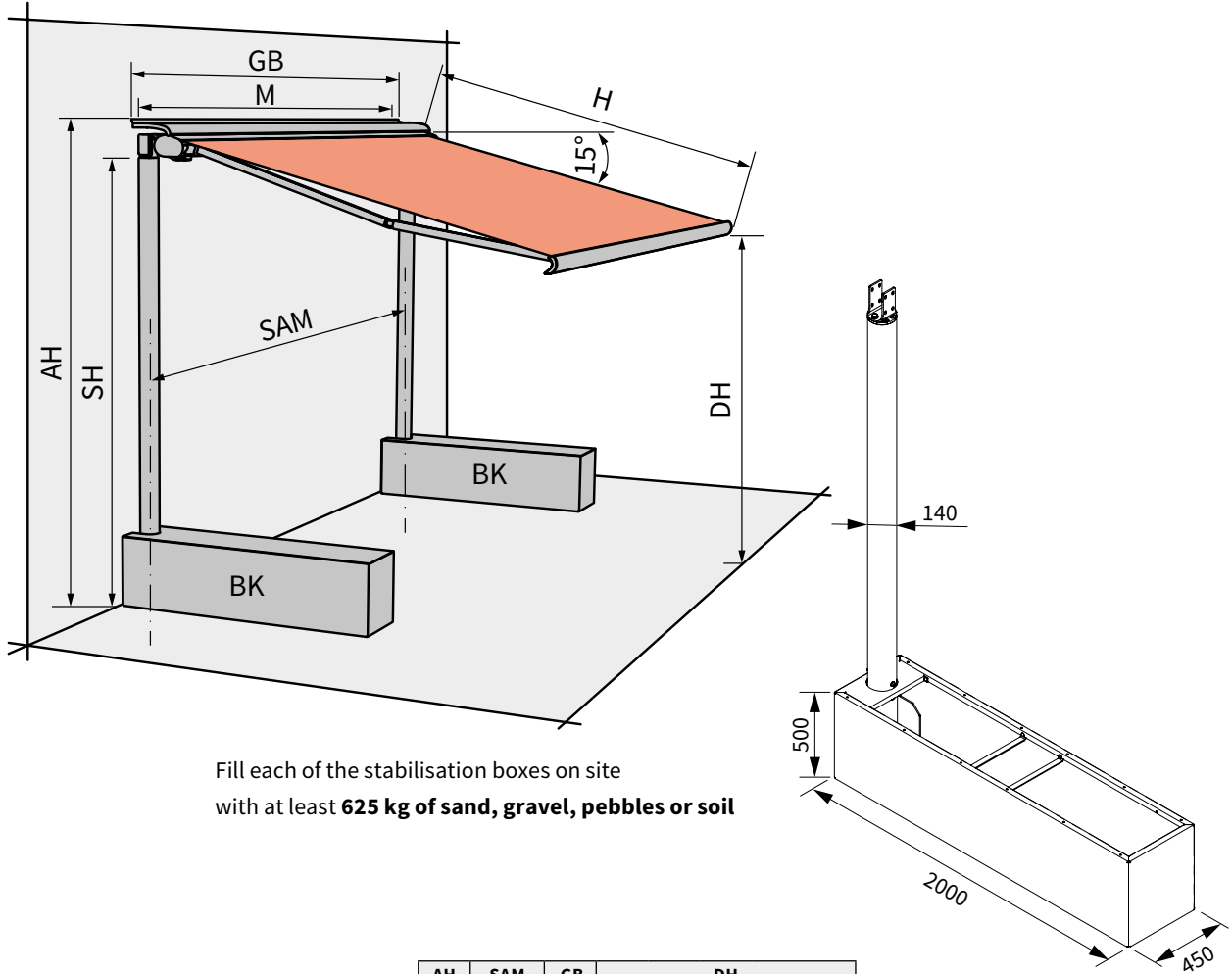


- BK = stabilisation box
- TW = overall width of the unit (depends on the awning model)
- H = projection (depends on the awning model)
- UD = unit height (depends on the awning model)
- DH = headroom (depends on the awning model, dimensions rounded)
- SAM = post separation, centre to centre (depends on the awning model)
- M = awning width
- SH = post height = 3200 mm

dimensions in mm

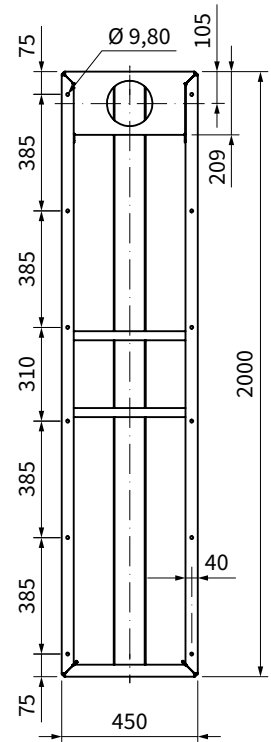
Installation dimensions

syncra flex 2 with one folding-arm awning



Fill each of the stabilisation boxes on site with at least **625 kg of sand, gravel, pebbles or soil**

	AH	SAM	GB	DH				
markilux 6000	3400	M - 140	M	2930	2790	2660	2520	2390
markilux 5010								2510
markilux 3300	3420	M - 162		2920	2780	2650	-	-
markilux 990								-
markilux 1700 / 1700 stretch	3480	M - 140						2430
markilux 1710 / 1710 stretch								-
markilux 1600 / 1600 stretch / 1650							2430	
markilux 1500							-	
				2000	2500	3000	3500	4000
				H				



- BK = stabilisation box
- TW = overall width of the unit (depends on the awning model)
- H = projection (depends on the awning model)
- UD = unit height (depends on the awning model)
- DH = headroom (depends on the awning model, dimensions rounded)
- SAM = post separation, centre to centre (depends on the awning model)
- M = awning width
- SH = post height = 3200 mm

dimensions in mm

01
02
03
04
05
06
07
08
09
10
11
12
13
14
15
16
17
18
19
20
21
22
23

