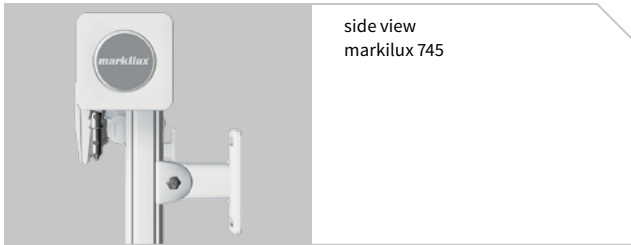




## **markilux** 745 / 845

**The marquisolette in a cassette with guide tracks and innovative gas piston-tensioned sliding arm technology – the ideal combination: half vertical blind, half drop-arm awning and variable stand-off fixture**

**rated to wind resistance class 2  
(corresponds to Beaufort 5)**



side view  
markilux 745



side view  
markilux 845



decorative cap assembly  
for track bracket (optional)



markilux 845  
retracted



markilux 745

reveal fixture  
square cassette, markilux 745



markilux 845

reveal fixture  
round cassette, markilux 845



### Design Features

the markilux 745: compact, square and discreet, the cassette profile made of extruded aluminium is only 95 mm in height

stand-off fixture from the façade. This embellishes the building still further

for long-lasting attractiveness the blind has been powder coated

when retracted the cover is protected from the weather by the cassette, which encloses it completely

### Technical Specification

robust, self-supporting cassette made of extruded aluminium

extremely sturdy, stainless steel side cheek, sheathed in plastic and powder coated

operation by means of a smooth gearbox and universal joint

to simplify fixture a broad selection of brackets is available

an automatic locking device in the guide tracks prevents the arm mechanism from lifting in windy conditions

also available as a coupled unit to span large widths

### Optional Accessories

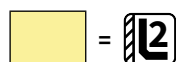
hard-wired motor operation (optionally with automatic weather controls) for straightforward and easy operation

radio-controlled motor with radio remote control for ease of use

an easily installed, radio control light and wind sensor guarantees comfort and a degree of safety – even in your absence

### Dimensions and configuration options

		75	100	150	200	250	300		
		75	76 — 100	101 — 150	151 — 200	201 — 250	251 — 300		
	120							74.5	73.5
	160								
	200								
	240								
	280								
	300								



dimensions in cm

#### Operation / Drive unit

	standard	optional
winding handle operation	<input checked="" type="checkbox"/>	—
manual operation from the rear	—	<input checked="" type="checkbox"/>
hard-wired motor	—	<input checked="" type="checkbox"/>
radio-controlled motor (433 MHz)	—	<input checked="" type="checkbox"/>
io radio-controlled motor	—	<input checked="" type="checkbox"/>

#### Covers

	fabric range no.	standard	optional
sunsilk snc	324 xx / 328 xx / 369 xx	<input checked="" type="checkbox"/>	—
sunvas snc	310 xx / 311 xx 313 xx — 315 xx	<input checked="" type="checkbox"/>	—
perfortex	332 xx	<input checked="" type="checkbox"/> <sup>1)</sup>	—
sunsilk perla FR	374 xx	—	<input checked="" type="checkbox"/> <sup>2)</sup>
transolair	338 xx	—	<input checked="" type="checkbox"/> <sup>3)</sup>
vuscreen ALU	317 xx	—	<input checked="" type="checkbox"/> <sup>4)</sup>
sunvas perla	370 xx	—	<input checked="" type="checkbox"/> <sup>2)</sup>

- 1) stitched seams; in the case of the markilux 745 only up to a maximum unit height of 250 cm
- 2) in the case of the markilux 745 up to a maximum unit height of 250 cm; with vertical, bonded seams
- 3) depending on the width and unit height with horizontal, bonded seam(s)
- 4) in the case of the markilux 745 only seamless and up to a maximum unit height of 250 cm; depending on the width and unit height with horizontal, bonded seam(s)

#### Coupled units

	standard	optional
2 fields	—	<input checked="" type="checkbox"/>





#### Miscellaneous

	standard	optional
light and wind sensor	—	<input checked="" type="checkbox"/>

= hard-wired motor     
 = no. of brackets per track     
 MA = fixture width / order width  
 = radio-controlled motor (433 MHz)     
 MA min. = minimum width  
 AH = unit height

01  
02  
03  
04  
05  
06  
07  
08  
09  
10  
11  
12  
13  
14  
15  
16  
17  
18  
19  
20  
21

**Frame colours**

		standard	optional
traffic white	RAL 9016		
metallic aluminium	RAL 9006		
grey brown, similar to	RAL 8019		
non-standard powder-coated finish			

Colours similar to those in the RAL chart. Colours may differ slightly from those depicted in both hue and finish.

**Dimensions and tolerances**

	width	drop
housing tolerances	+ 5 / - 10	
blind cover width = blind fixture width	- 110	
blind cover length = unit height		+ 200

dimensions in mm

**Additional information**

The width of the blind cover is always **less** than that of the blind. Please ask us about the cover sizes of coupled units.

**Standard manual operation** with bayonet fitting and universal joint made of stainless steel is operated from outside the building (winding handle lengths 110, 140, 160, 180 or 220 cm).

**Manual operation** using a universal joint and **from the rear:** This operation type should be used in installations when the system can be approached from the rear (e.g. on balconies).

In the case of manual operation it takes approximately 24 turns per metre of overall unit height to extend the system.

In the case of **motor operation** the blind will take approx. **15 seconds per metre to extend.**

**N.B!** If the **motor is used continuously** it will stop automatically after 3 to 4 minutes **to prevent overheating.**

In the case of a **bank of blinds operating simultaneously**, the same speed of rotation of the motors cannot be guaranteed because of the internal tolerances of the motors.

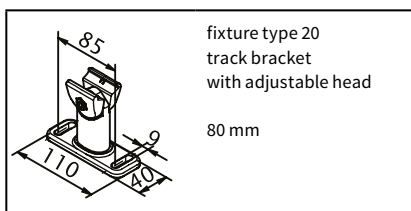
Depending on the size of the blind, deflection may be in evidence in individual profiles and sections of profile which is completely unavoidable. This affects neither the functionality nor the durability of the awning.

In the case of asymmetrical, coupled units, the larger field may be no more than twice as large as the smaller field.

Coupled units are only available with motor (surcharge).

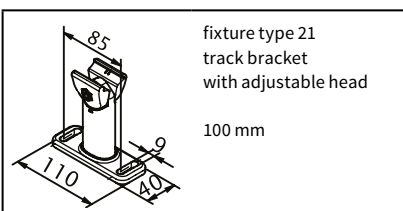
The maximum width of coupled units is 2 × 250 cm.

**Fixtures, fittings and accessories**



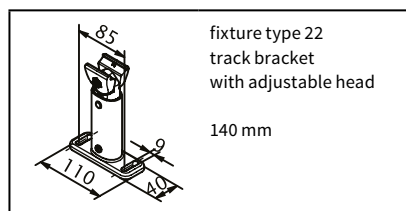
fixture type 20 track bracket with adjustable head  
80 mm

**78451.**



fixture type 21 track bracket with adjustable head  
100 mm

**78538.**

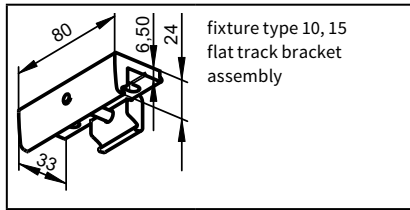


fixture type 22 track bracket with adjustable head  
140 mm

**78539.**

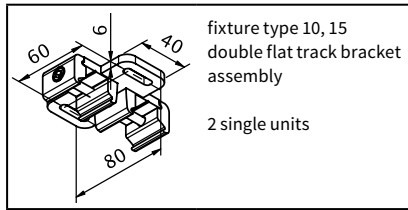
. = insert RAL colour code no.

Fixtures, fittings and accessories



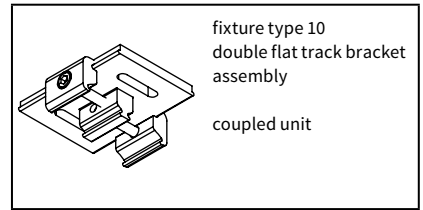
fixture type 10, 15  
flat track bracket  
assembly

**78548.**



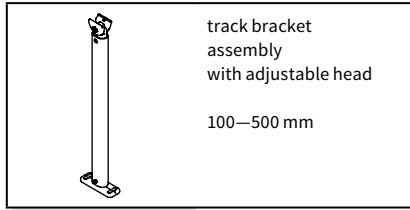
fixture type 10, 15  
double flat track bracket  
assembly  
2 single units

**78671.**



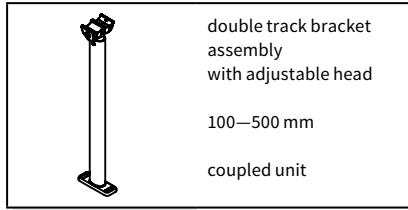
fixture type 10  
double flat track bracket  
assembly  
coupled unit

**78660.**



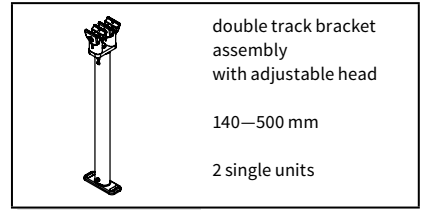
track bracket  
assembly  
with adjustable head  
100—500 mm

**78540.**



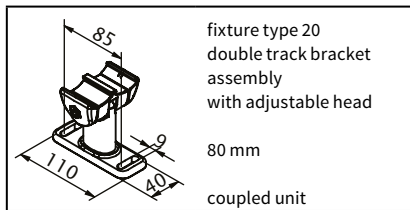
double track bracket  
assembly  
with adjustable head  
100—500 mm  
coupled unit

**78665.**



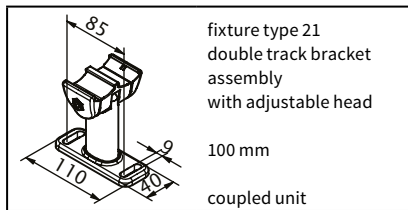
double track bracket  
assembly  
with adjustable head  
140—500 mm  
2 single units

**78685.**



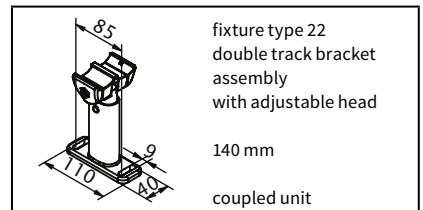
fixture type 20  
double track bracket  
assembly  
with adjustable head  
80 mm  
coupled unit

**78454.**



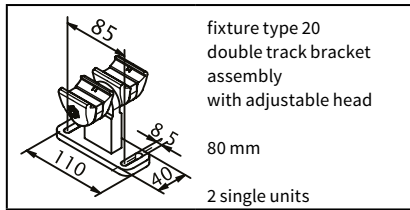
fixture type 21  
double track bracket  
assembly  
with adjustable head  
100 mm  
coupled unit

**78663.**



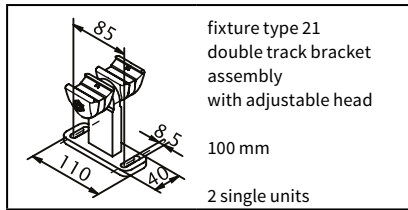
fixture type 22  
double track bracket  
assembly  
with adjustable head  
140 mm  
coupled unit

**78664.**



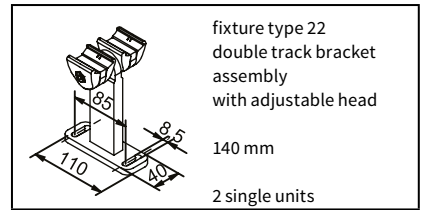
fixture type 20  
double track bracket  
assembly  
with adjustable head  
80 mm  
2 single units

**78654.**



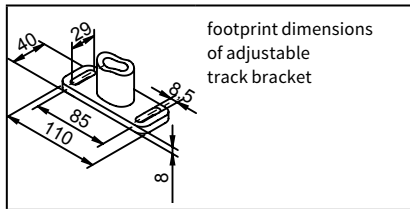
fixture type 21  
double track bracket  
assembly  
with adjustable head  
100 mm  
2 single units

**78658.**



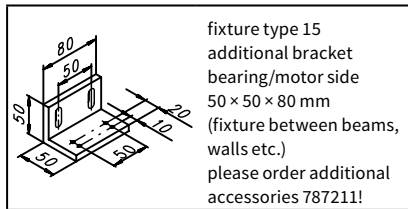
fixture type 22  
double track bracket  
assembly  
with adjustable head  
140 mm  
2 single units

**78683.**



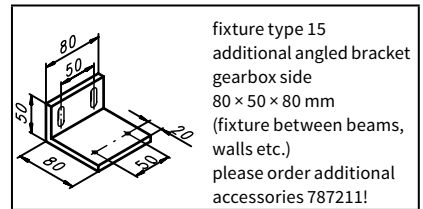
footprint dimensions  
of adjustable  
track bracket

**78719.**



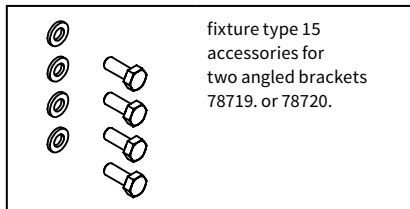
fixture type 15  
additional bracket  
bearing/motor side  
50 × 50 × 80 mm  
(fixture between beams,  
walls etc.)  
please order additional  
accessories 787211!

**78719.**



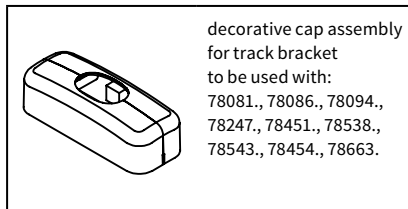
fixture type 15  
additional angled bracket  
gearbox side  
80 × 50 × 80 mm  
(fixture between beams,  
walls etc.)  
please order additional  
accessories 787211!

**78720.**



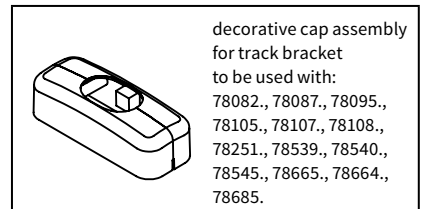
fixture type 15  
accessories for  
two angled brackets  
78719. or 78720.

**787211**



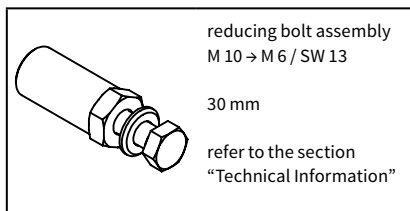
decorative cap assembly  
for track bracket  
to be used with:  
78081., 78086., 78094.,  
78247., 78451., 78538.,  
78543., 78454., 78663.

**76603.**



decorative cap assembly  
for track bracket  
to be used with:  
78082., 78087., 78095.,  
78105., 78107., 78108.,  
78251., 78539., 78540.,  
78545., 78665., 78664.,  
78685.

**76604.**



reducing bolt assembly  
M 10 → M 6 / SW 13  
30 mm  
refer to the section  
“Technical Information”

**753211**

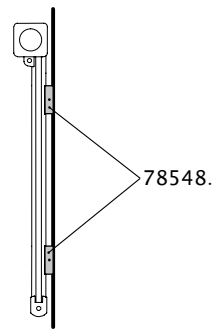
. = insert RAL colour code no.

01  
02  
03  
04  
05  
06  
07  
08  
09  
10  
11  
12  
13  
14  
15  
16  
17  
18  
19  
20  
21

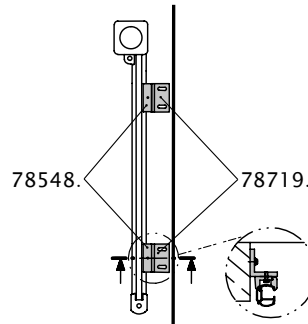
## Fixture combinations / Fixture types

All brackets incur a surcharge

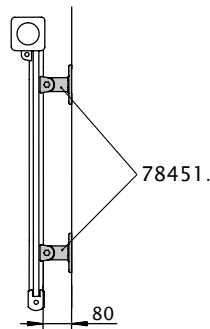
Fixture type  
**10**



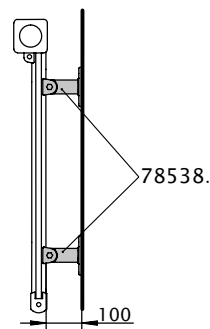
Fixture type  
**15**



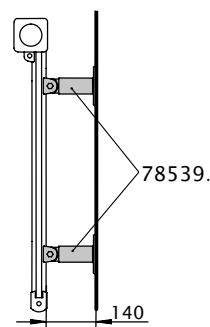
Fixture type  
**20**



Fixture type  
**21**



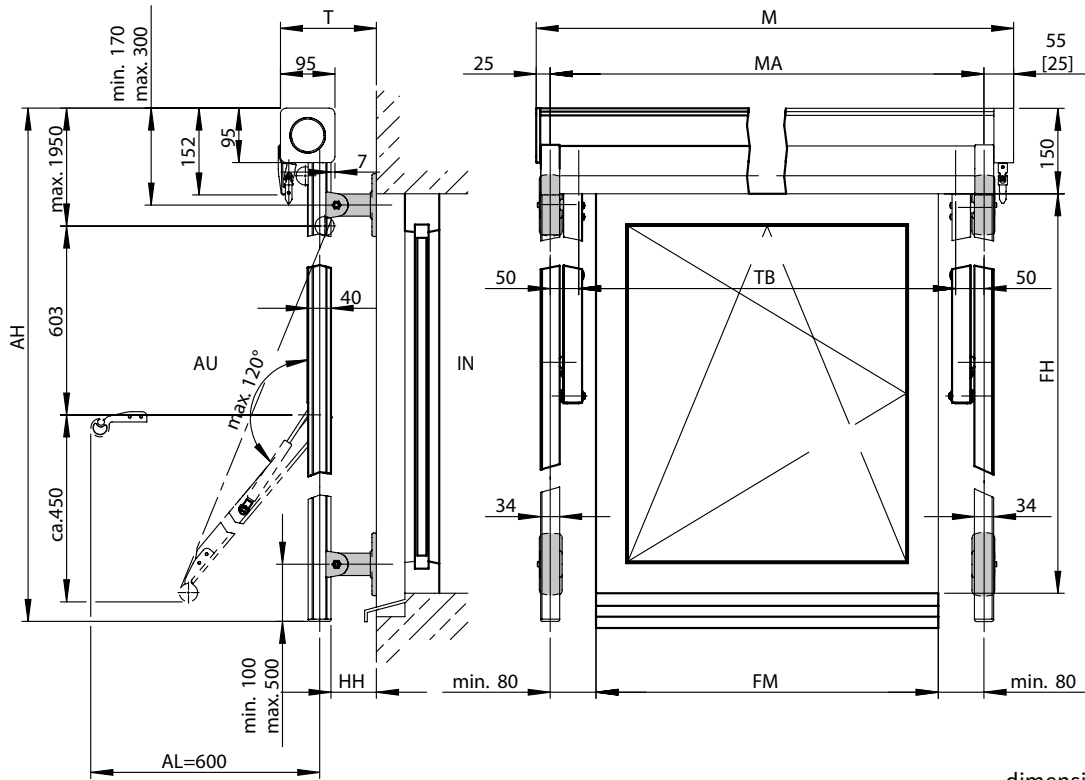
Fixture type  
**22**



Individual bracket combinations – see "Fixtures, fittings and accessories". Please note the minimum quantity required for the width and unit height you intend to order!

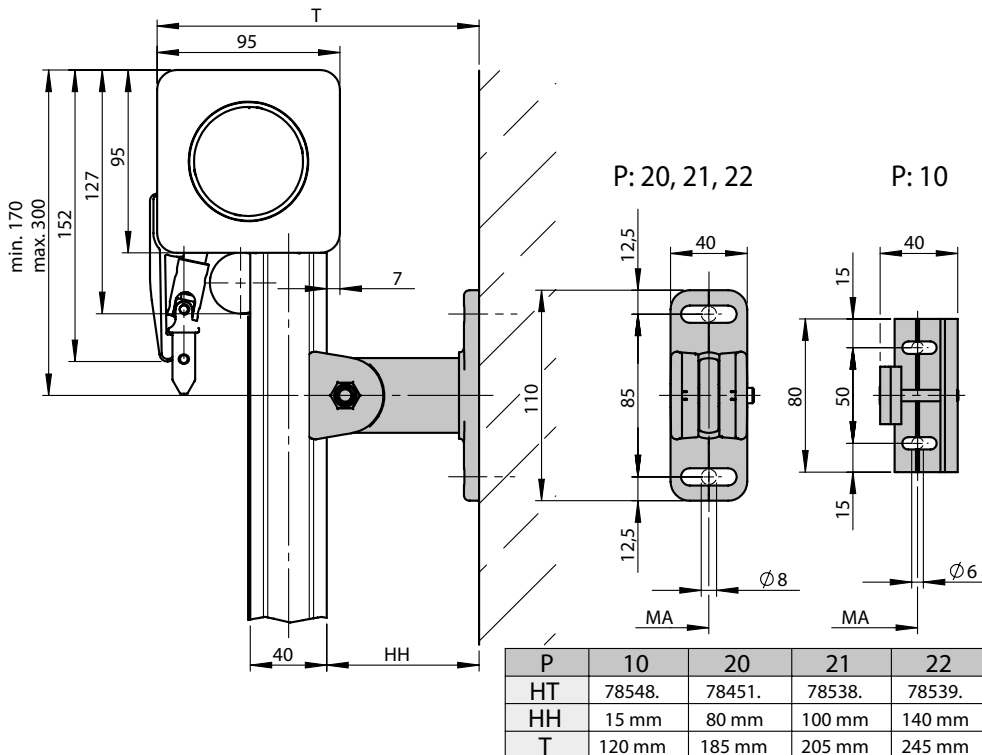


Dimension overviews markilux 745



dimensions in mm

Face fixture



dimensions in mm

AH = unit height

T = depth

AU = exterior

IN = interior

AL = arm length

HH = fixture bracket height

M = overall blind width

MA = blind fixture width = blind width between fixture points

TB = cover width

FM = façade width

FH = façade height

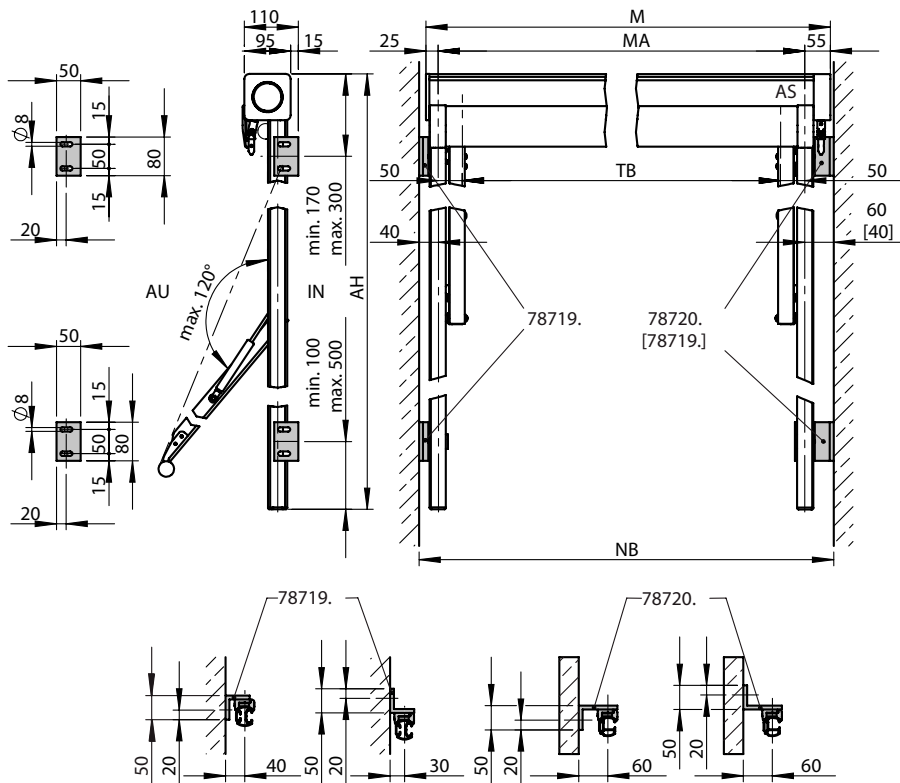
[...] = dimensions in the case of motor operation

P = fixture type

- 01
- 02
- 03
- 04
- 05
- 06
- 07
- 08
- 09
- 10
- 11
- 12
- 13
- 14
- 15
- 16
- 17
- 18
- 19
- 20
- 21

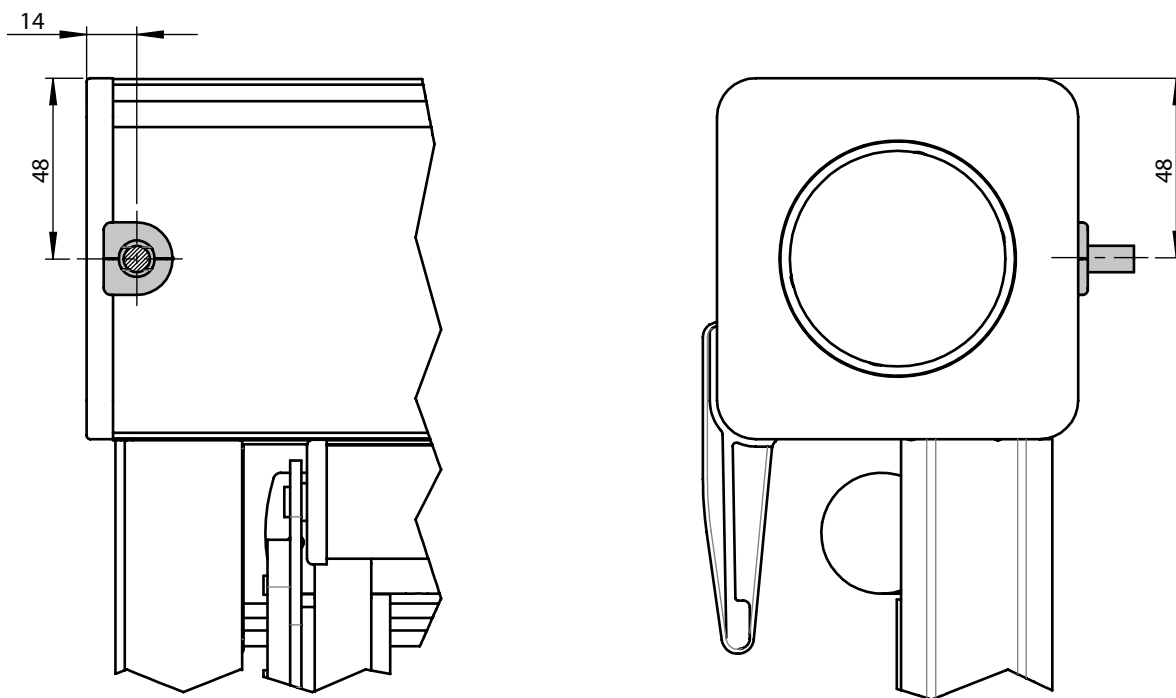
### Dimension overviews markilux 745

Reveal fixture in the case of gearbox / motor operation (fixture type 15)



dimensions in mm

### Cable exit point in the case of motor-driven units



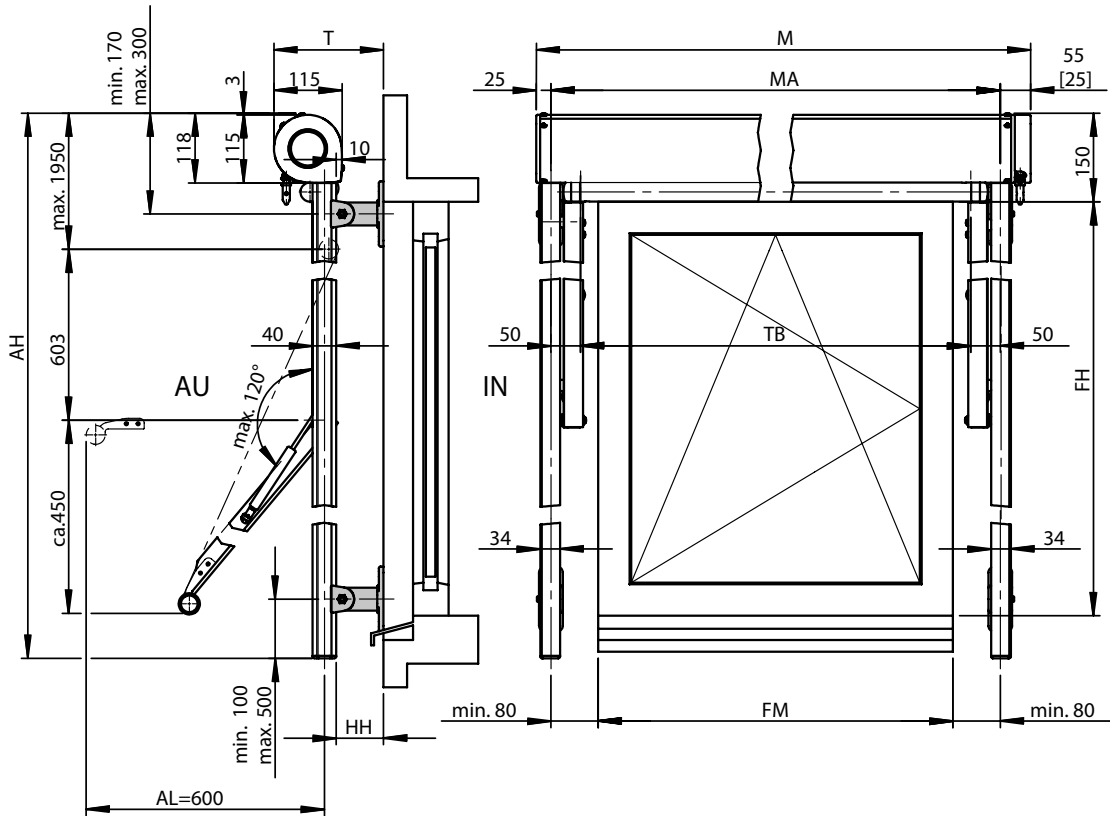
dimensions in mm

- AH = unit height
- AU = exterior
- IN = interior
- AS = operation side
- M = overall blind width
- MA = blind fixture width = blind width between fixture points

- TB = cover width
- NB = reveal width
- HT = bracket
- [...] = dimensions in the case of motor operation
- 78719. = additional angled bracket bearing / motor side
- 78720. = additional angled bracket gearbox side

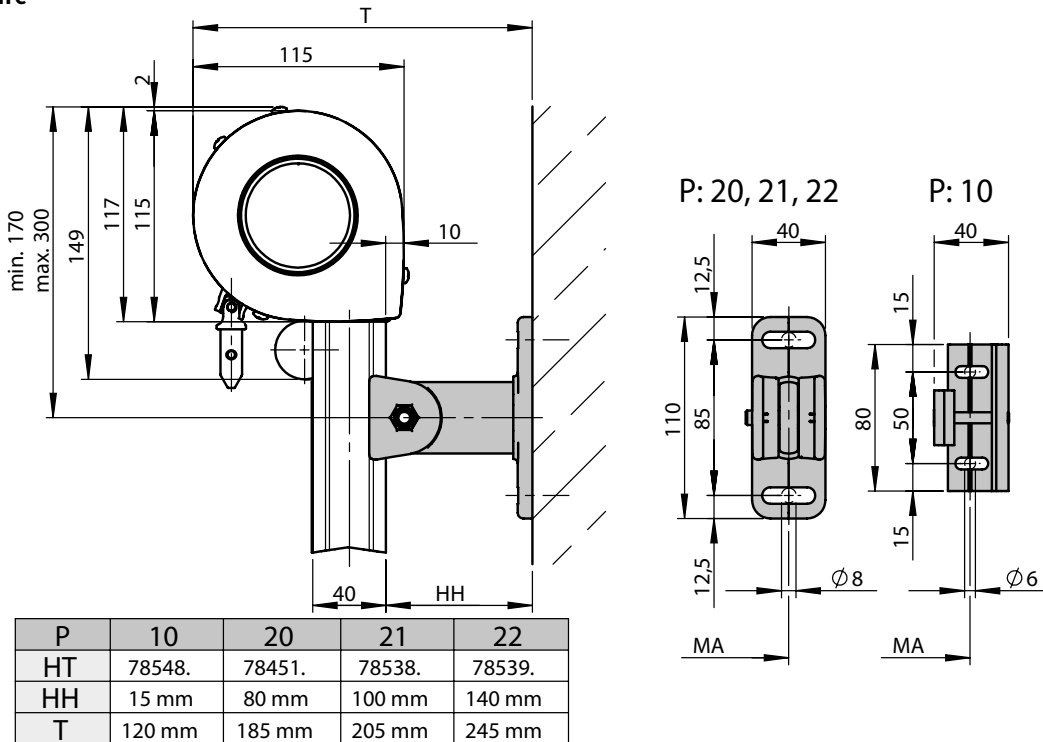


Dimension overviews markilux 845



dimensions in mm

Face fixture



dimensions in mm

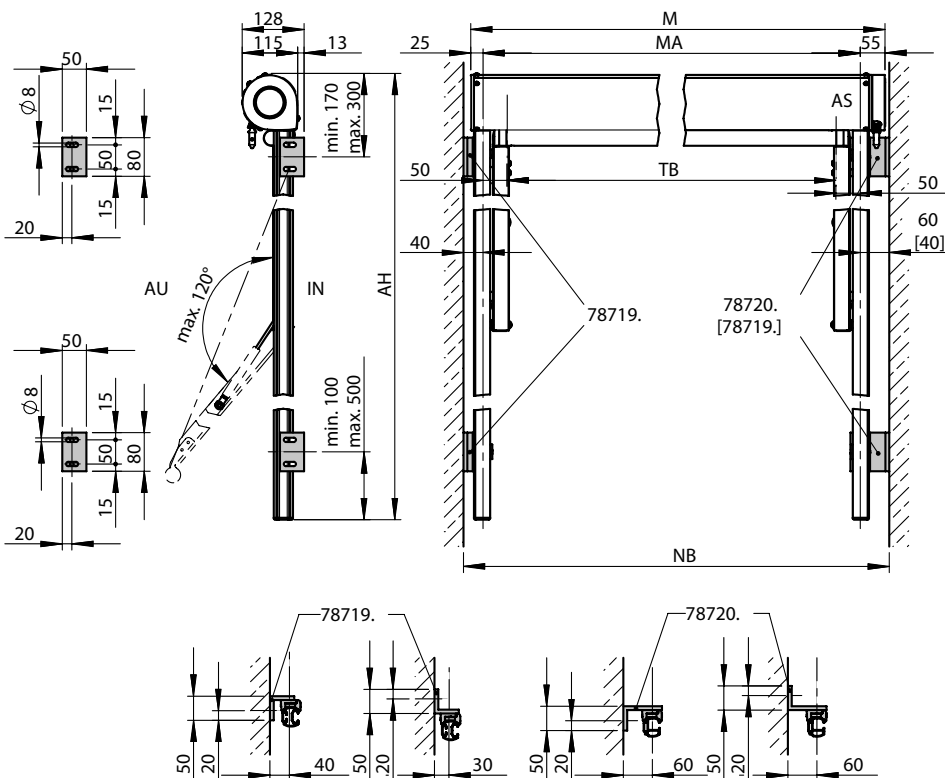
- AH = unit height
- T = depth
- AU = exterior
- IN = interior
- AL = arm length
- HH = fixture bracket height
- M = overall blind width

- MA = blind fixture width = blind width between fixture points
- TB = cover width
- FM = façade width
- FH = façade height
- [...] = dimensions in the case of motor operation
- P = fixture type

- 01
- 02
- 03
- 04
- 05
- 06
- 07
- 08
- 09
- 10
- 11
- 12
- 13
- 14
- 15
- 16
- 17
- 18
- 19
- 20
- 21

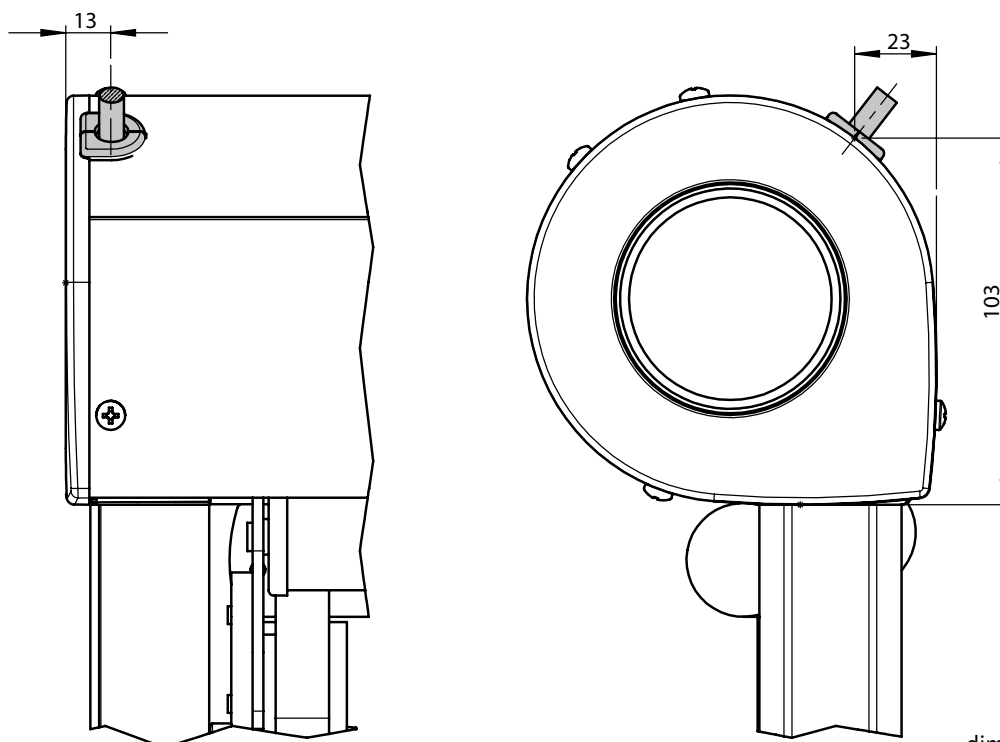
### Dimension overviews markilux 845

Reveal fixture in the case of gearbox / motor operation (fixture type 15)



dimensions in mm

#### Cable exit point in the case of motor-driven units



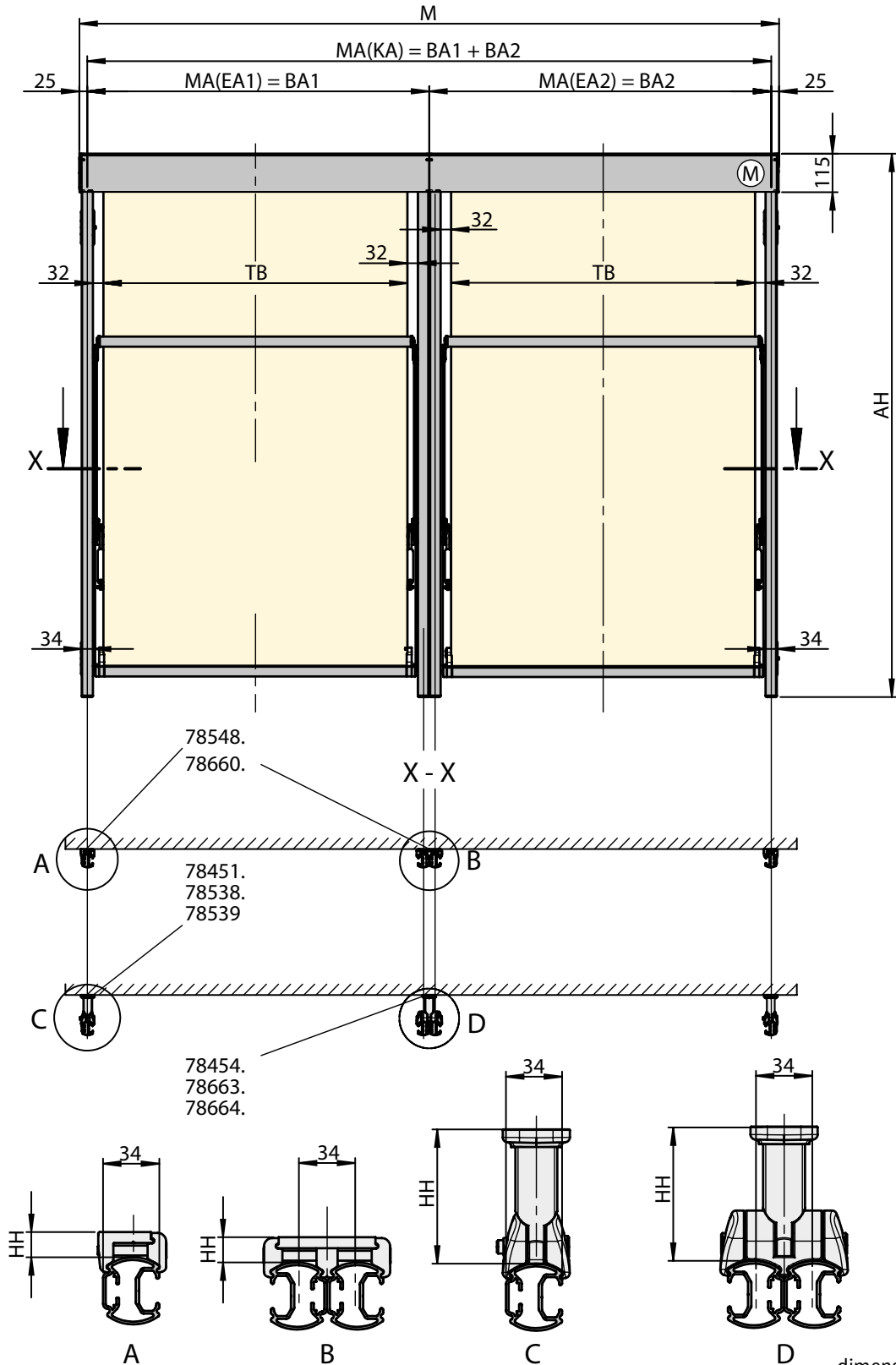
dimensions in mm

- AH = unit height
- AU = exterior
- IN = interior
- AS = operation side
- M = overall blind width
- MA = blind fixture width = blind width between fixture points

- TB = cover width
- NB = reveal width
- HT = bracket
- [...] = dimensions in the case of motor operation
- 78719. = additional angled bracket bearing / motor side
- 78720. = additional angled bracket gearbox side

### Dimension overviews markilux 845

Coupled unit 2 fields, 1 motor



dimensions in mm

- MA (EA1) = BA1 = blind fixture width, unit 1 = order width, unit 1
- MA (EA2) = BA2 = blind fixture width, unit 2 = order width, unit 2
- MA (KA) = BA1 + BA2 = blind fixture width, coupled unit = order width, coupled unit
- M = overall blind width
- MA = blind fixture width
- EA = single unit

- KA = coupled unit
- BA = order dimension
- TB = cover width
- M = motor operation

- 01
- 02
- 03
- 04
- 05
- 06
- 07
- 08
- 09
- 10
- 11
- 12
- 13
- 14
- 15
- 16
- 17
- 18
- 19
- 20
- 21

