



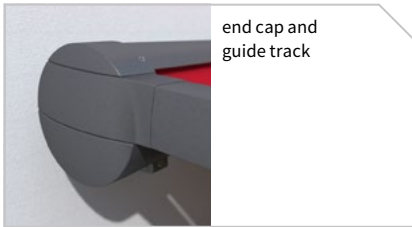
## **markilux** pergola 110 / pergola 110 **tracfix**

round, square, functional –

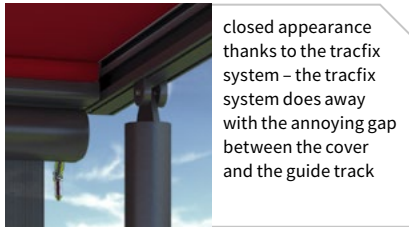
protection from the sun and inclement weather for large areas

The markilux 8800 conservatory awning system with slender support posts –  
optionally with tracfix system

rated to wind resistance class 3  
(corresponds to Beaufort 6)



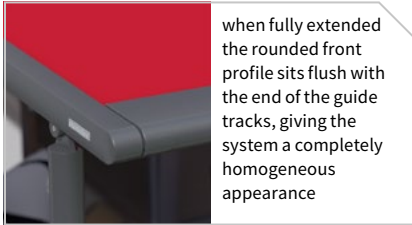
end cap and guide track



closed appearance thanks to the tracfix system – the tracfix system does away with the annoying gap between the cover and the guide track



coupled unit with coupling guide track



when fully extended the rounded front profile sits flush with the end of the guide tracks, giving the system a completely homogeneous appearance



coupled unit – up to 3 fields are available



shadeplus / drop valance gearbox with universal joint and stainless steel winding handle with bayonet fitting



optional: manual shadeplus / drop valance (stainless steel winding handle)

## Design Features

the cassette profile, the guide tracks, the front profile and the front support posts complement one another perfectly and result in a large but nevertheless very elegant patio shading system

large scale awning system resting on slender posts with unobtrusive lateral guide tracks

for long-lasting attractiveness the awning is powder coated in the standard colours traffic white, metallic aluminium, grey brown or anthracite metallic

when fully extended the rounded front profile sits flush with the end of the guide tracks, giving the system a completely homogeneous appearance

## Technical Specification

especially large extensions provide generous shade with high wind stability (wind resistance class 3)

simple installation: fixture of the cassette to the wall and the posts to a concrete footings by means of base plates

standard height of the front support posts 250 cm, other heights (from 36 cm to 250 cm) on request

the round, front support posts further stabilise the awning in addition to the fixture points on the façade – this reduces the pull-out forces on the façade

water drainage is guaranteed at a minimum pitch of 14° to the horizontal, the maximum possible pitch is 45°

## Optional Accessories

coupled units up to 3 fields wide are available in the markilux pergola 110

vertical solar protection and more privacy is optionally available with the 230 cm high shadeplus / drop valance

radio-controlled motor with markilux remote control – ergonomically shaped

polyester powder coating in non-standard colours is available to individual order (prices on request, longer lead time)

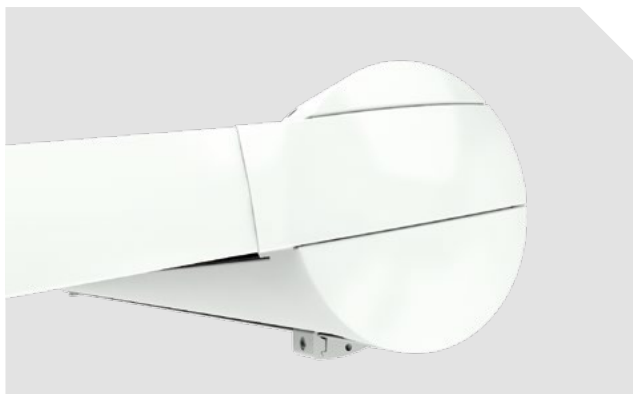
wall sealing profile to cover the gap between awning and wall; effective up to an awning pitch of 25°

closed appearance thanks to tracfix system (optional) without the annoying gap between the cover and the guide track

### Frame colours

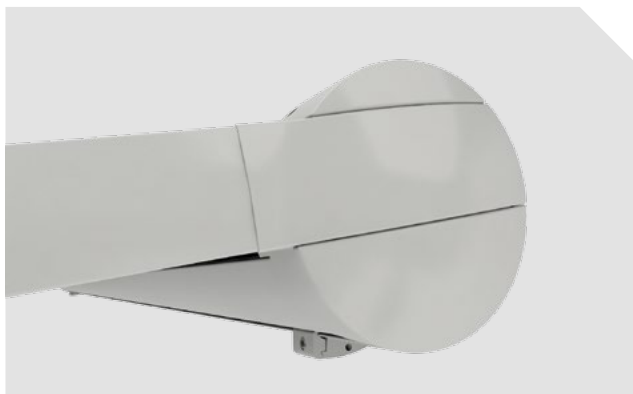
traffic white

RAL 9016



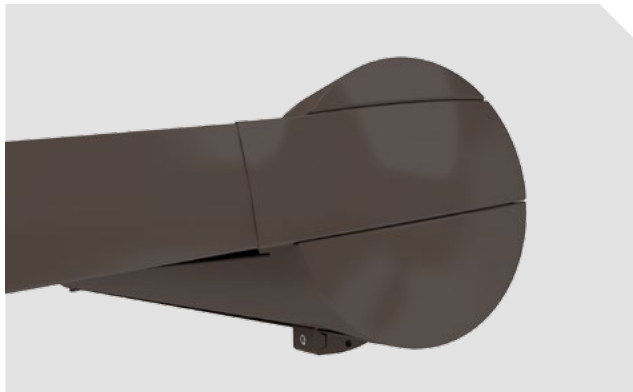
metallic aluminium

RAL 9006



grey brown, similar to

RAL 8019



anthracite metallic

5204



- 01
- 02
- 03
- 04
- 05
- 06
- 07
- 08
- 09
- 10
- 11
- 12
- 13
- 14
- 15
- 16
- 17
- 18
- 19**
- 20
- 21
- 22
- 23

Colours similar to those in the RAL chart. Colours may differ slightly from those depicted in both hue and finish.

## Dimensions and configuration options

Single unit 1 field, 1 motor

	150	200	250	300	350	400	450	500	550	600
	74 150	151 200	201 250	251 300	301 350	351 400	401 450	451 500	501 550	551 600
M →	+ 10 cm									

	150									
	200									
	250									
	300									
	350									
	400									
	450									
	500									—
	550								—	—
	600								—	—

HT →	2
------	---

= tracfix (optional)

### Operation / Drive

	standard	optional
hard-wired motor	<input checked="" type="checkbox"/>	—
io radio controls	—	<input checked="" type="checkbox"/>
silentec	—	<input checked="" type="checkbox"/> <sup>1)</sup>
radio-controlled motor (433 MHz)	—	<input checked="" type="checkbox"/>

1) only 1 field and 2 fields, 2 motors

### Dimensions and tolerances

	width	extension
housing tolerances	+ 5 / - 10 mm	
awning cover width = awning fixture width	- 90 mm <sup>2)</sup>	
awning cover length		on request

2) standard specification; with tracfix on request

### Covers

	fabric range no.	standard	optional
sunsilk snc	324 .. / 328 .. / 369 ..	<input checked="" type="checkbox"/>	—
sunsilk perla FR	374 ..	—	<input checked="" type="checkbox"/> <sup>4)</sup>
transolair	338 ..	—	<input checked="" type="checkbox"/>
perfortex	332 ..	<input checked="" type="checkbox"/> <sup>3)</sup>	—
sunvas snc	310 .. / 311 .. 313 .. — 315 ..	<input checked="" type="checkbox"/>	—
sunvas perla	370 ..	—	<input checked="" type="checkbox"/> <sup>4)</sup>

3) not available in tracfix units

4) only available in tracfix units; from a fixture width of 501 cm, maximum extension 450 cm

### coupled units

	standard	optional
2 fields	—	<input checked="" type="checkbox"/>
3 fields	—	<input checked="" type="checkbox"/>

= tracfix

MA = awning fixture width

M = overall awning width

H = extension

HT = no. of brackets

## Frame colours

		standard	optional
traffic white	RAL 9016		
metallic aluminium	RAL 9006		
grey brown, similar to	RAL 8019		
light ivory	RAL 1015		
anthracite metallic	5204		
stone grey metallic	5215		
off-white textured finish	5233		
Havanna brown textured finish	5229		
non-standard powder-coated finish			

## Miscellaneous

	standard	optional
shadeplus / drop valance	—	<input checked="" type="checkbox"/> <sup>1)</sup>
wall sealing profile	—	<input checked="" type="checkbox"/> <sup>2)</sup>
tracfix	—	<input checked="" type="checkbox"/>
light and wind sensor	—	<input checked="" type="checkbox"/>

1) height: 230 cm

2) possible up to a maximum awning pitch of 15°

Holes have been punched in the internal gutter area of the front profile at regular intervals to improve the water drainage from the front profile. This may lead to very slight indentations in the front profile at those points; as these are unavoidable, they do not form the basis for complaint.

## Additional information

The width of the awning cover is always **less** than that of the awning.

**Pitch adjustment range:** from 5° to 45° (to the horizontal).

**Water drainage** can only be guaranteed at a minimum awning pitch of 14° to the horizontal. If the markilux pergola is to be used as rain protection and the pitch is less than 14°, we recommend the markilux pergola 210 be used.

**Definition of fixture width/order width:** The fixture width is the measurement centre to centre from guide track to guide track. The overall width of the cassette is 100 mm greater than the fixture width of the awning. The tolerance in the fixture width is + 0 mm / - 20 mm.

**Definition of the extension / order extension:** The extension is measured with the awning extended from the back of the cassette to the leading edge of the front profile. The tolerance in the extension is + 40 mm / - 40 mm.

**Definition of Shadeplus drop:** The Shadeplus drop is measured from the bottom edge of the Shadeplus profile to the bottom edge of the valance profile. Due to fabric thickness tolerances the actual drop may be shorter than the nominal drop by up to 5 cm.

**Definition of operating side:** the operating side is always given as if standing in front of the awning (right or left).

**N.B!** In the case of continuous motor usage, the motor may stop after 3 to 4 minutes to prevent overheating.

**N.B!** In the case of a bank of awnings operating simultaneously, the same speed of rotation of the motors cannot be guaranteed because of the internal tolerances of the motors.

**The rate of extension** of a single unit with hard-wired motor is approximately **11 seconds per metre**.

The front support posts are made of aluminium, standard height 2500 mm, other heights on request.

Colours similar to those in the RAL chart. Colours may differ slightly from those depicted in both hue and finish.

## Dimensions and configuration options

Coupled unit, 2 fields, 1 or 2 motors

		600	700	800	900	1000	1100	1200
		551 600	601 700	701 800	801 900	901 1000	1001 1100	1101 1200
M →		+ 10 cm						

	150												
	200												
	250												
	300												
	350												
	400												
	450												
	500												—
	550										—	—	—
	600										—	—	—

= tracfix (optional) dimensions in cm

Coupled unit, 3 fields, 2 motors

		600	700	800	900	1000	1100	1200	1300	1400	1500	1600	1700	1800
		551 600	601 700	701 800	801 900	901 1000	1001 1100	1101 1200	1201 1300	1301 1400	1401 1500	1501 1600	1601 1700	1701 1800
M →		+ 10 cm												

	150														
	200														
	250														
	300														
	350														
	400														
	450														
	500													—	—
	550												—	—	—
	600												—	—	—

= tracfix (optional) dimensions in cm

= tracfix

**MA** = awning fixture width  
**M** = overall awning width  
**H** = extension



### Additional information

**Coupled pergolas** are available up to a **max. width of 3 single units** (3 fields) sided by side.

In the case of coupled units with 2 or 3 fields and 2 motors, **unequal running speeds** due to tolerances within the motors may occur.

In the case of **coupled units** with **fields of differing sizes** smooth rolling-up behaviour of the covers cannot be guaranteed. This has no bearing on the functionality or the durability of either the cover or the pergola itself.

The matrices above assume equal field widths in coupled awnings.

In the case of coupled units up to a **fixture width of 700 cm** the **cassette will be supplied in one piece**. If, for reasons of transportation or fixture, the cassette needs to be split, please note this explicitly when ordering.

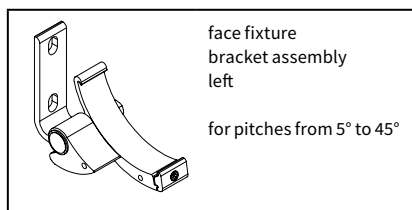
The rate of extension of coupled units with **2 fields, 1 Motor** and **3 fields, 2 motors** is approximately **16 to 18 seconds per metre**. In the case of coupled units with **2 fields, 2 motors** extension takes as long as with single awnings i.e. approximately **12 to 14 seconds per metre**. In the case of coupled units with **3 fields, 2 motors the coupled unit** will run more slowly than **the single unit**.

In the case of **2 motors**, the individual motors can be operated independently of one another.

Maximum awning size: please refer to the table for single units! Please also refer to the matrix for single units, for the optional **tracfix system!**

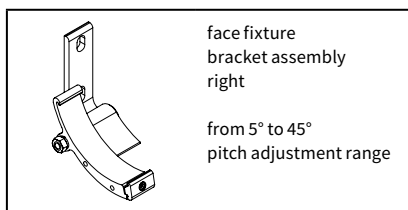
If coupled pergolas are fitted into a **recess or reveal** the overall width of the coupled awning must be at least 6 cm less than the width of the opening to allow the pergola to be coupled.

### Fixtures, fittings and accessories



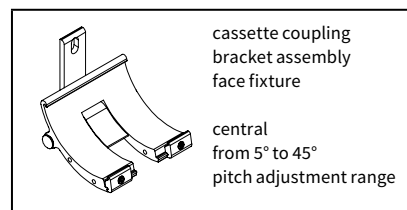
face fixture bracket assembly left  
for pitches from 5° to 45°

76063.



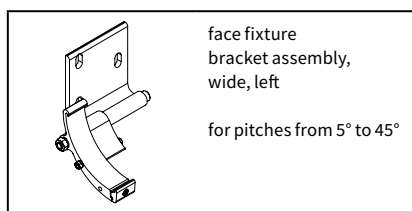
face fixture bracket assembly right  
from 5° to 45° pitch adjustment range

76064.



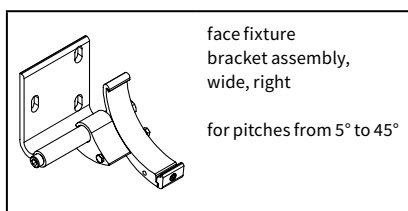
cassette coupling bracket assembly face fixture  
central from 5° to 45° pitch adjustment range

76181.



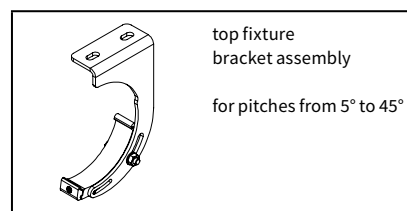
face fixture bracket assembly, wide, left  
for pitches from 5° to 45°

76231.



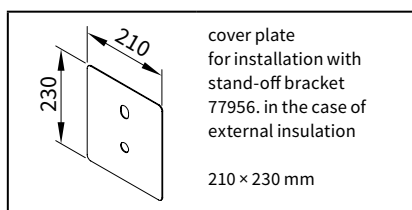
face fixture bracket assembly, wide, right  
for pitches from 5° to 45°

76232.



top fixture bracket assembly  
for pitches from 5° to 45°

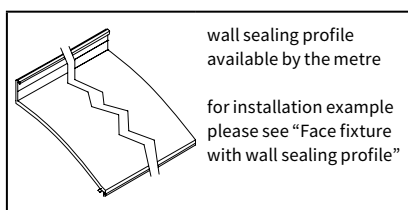
77058.



cover plate for installation with stand-off bracket 77956. in the case of external insulation

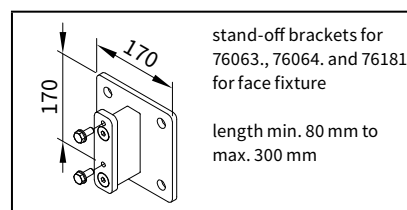
210 × 230 mm

71844.



wall sealing profile available by the metre  
for installation example please see "Face fixture with wall sealing profile"

77780.



stand-off brackets for 76063., 76064. and 76181. for face fixture

length min. 80 mm to max. 300 mm

77956.

. = insert RAL colour code no

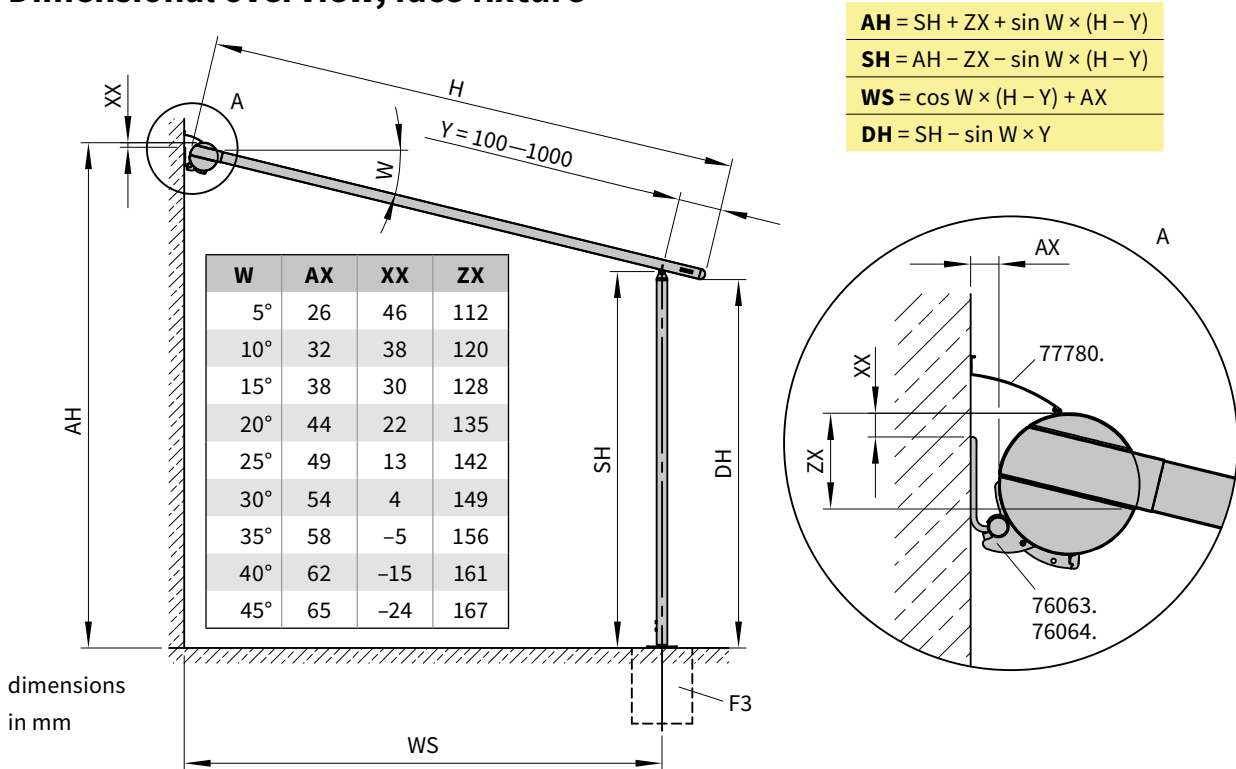
01  
02  
03  
04  
05  
06  
07  
08  
09  
10  
11  
12  
13  
14  
15  
16  
17  
18  
19  
20  
21  
22  
23

## Installation dimensions

Water drainage can only be guaranteed at a minimum awning pitch of 14° to the horizontal.

In contrast to the markilux 110, one of the front support posts of the markilux 210 can be lowered. This is an advantage especially when the installation height is restricted and ensures water drainage at a minimum basic pitch of at least 7°. By lowering the height of one support post by between 20 cm and 40 cm (depends on the awning size) water drainage can be guaranteed in rain.

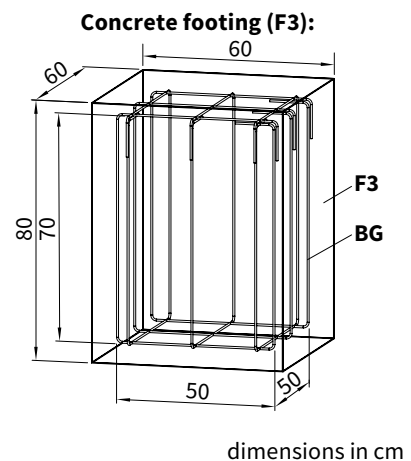
### Dimensional overview, face fixture



A concrete footing (F3) has to be laid on site in accordance with the technical drawing for each support post:

- construct a base of armoured concrete with a compressive strength of C25/30 (previously known as B25) using 6 pieces of shaped steel rebar matting, Ø 6 mm
- the front base plates (F3) are to be fixed using Fischer stainless steel anchor bolts FAZ II 10/30 and washers certified to DIN 9021 (or equivalent)

- H = extension
- AH = fixture height
- W = pitch
- WS = distance from wall to support post centre
- SH = support post height, standard height 2500 mm (special heights on request)
- Y = the support post can be moved back by min. 100 mm and max. 1000 mm
- DH = headroom
- AX = calculation value for the distance wall to support post centre WS (see table)
- XX = distance from the top edge of the fixture bracket to the top edge of the cassette (see table)
- ZX = calculation value for installation height AH (see table)
- 77780. = wall sealing profile (optional), effective up to a maximum awning pitch of 15°
- 76063. = face fixture cassette bracket assembly, left
- 76064. = face fixture cassette bracket assembly, right
- BG = armour matting basket made of 6 pieces of steel rebar, Ø 6 mm
- F3 = concrete footing

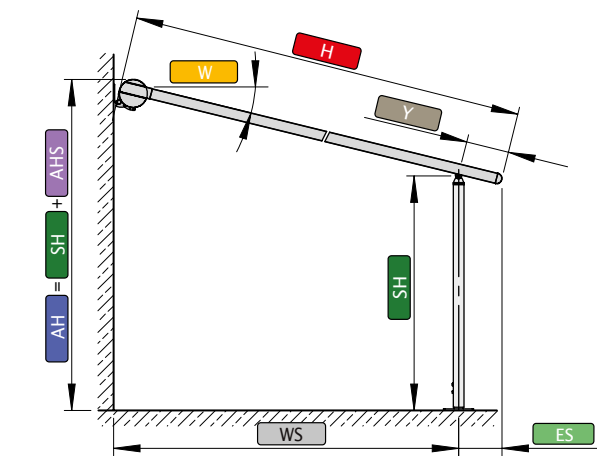




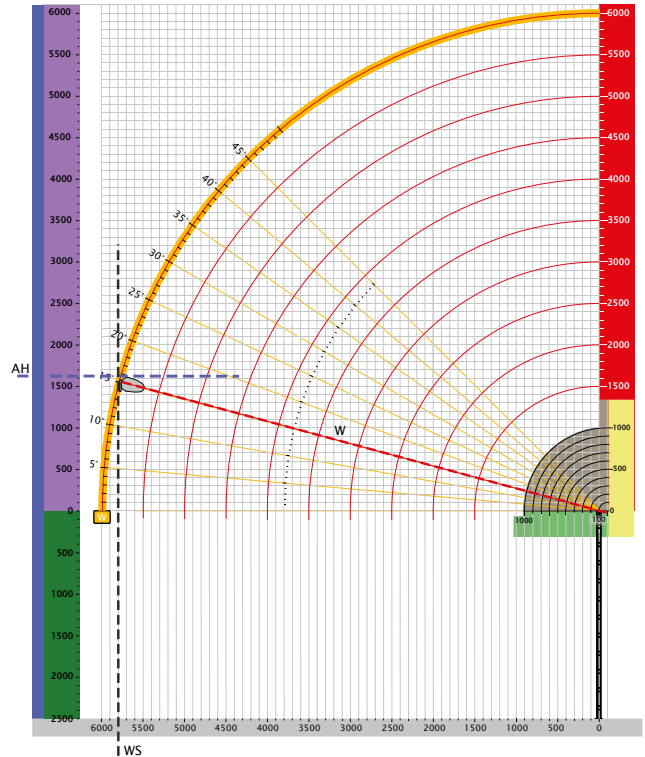
### Installation dimensions

Calculation of the approximate fixture height, examples

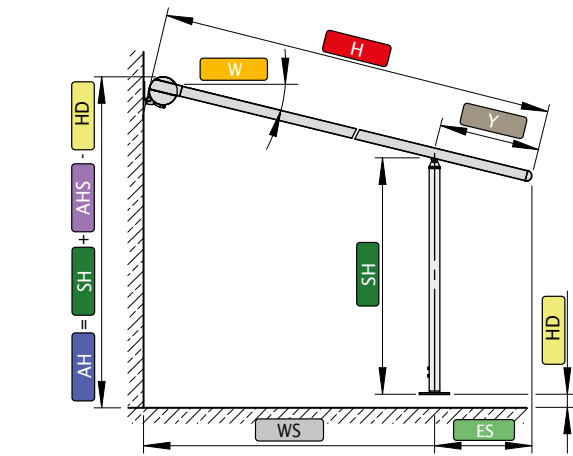
#### Example 1: front support posts pushed as far forward as possible, Y = 100 mm



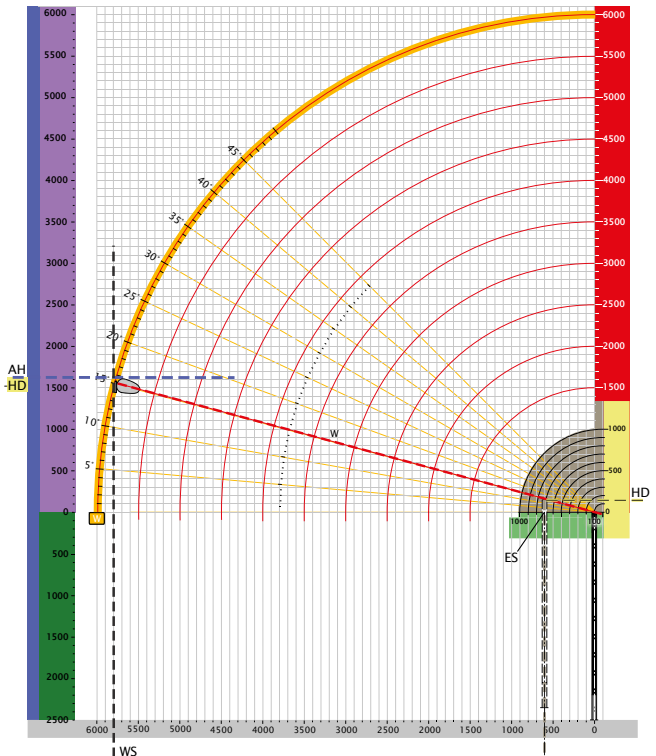
- dimensions in mm
- ES = 100
  - W = 15°
  - H = 6000
  - WS = 5800
  - Y = 100
  - SH = 2500
  - AHS = 1620
  - AH = SH + AHS = 2500 + 1620 = 4120



#### Example 2: front support posts pushed back, Y ≥ 100 mm and ≤ 1000 mm



- dimensions in mm
- ES = 700
  - W = 15°
  - H = 6000
  - WS = 5200
  - Y = 700
  - HD = 130
  - SH = 2500
  - AHS = 1620
  - AH = SH + AHS - HD = 2500 + 1620 - 130 = 3990

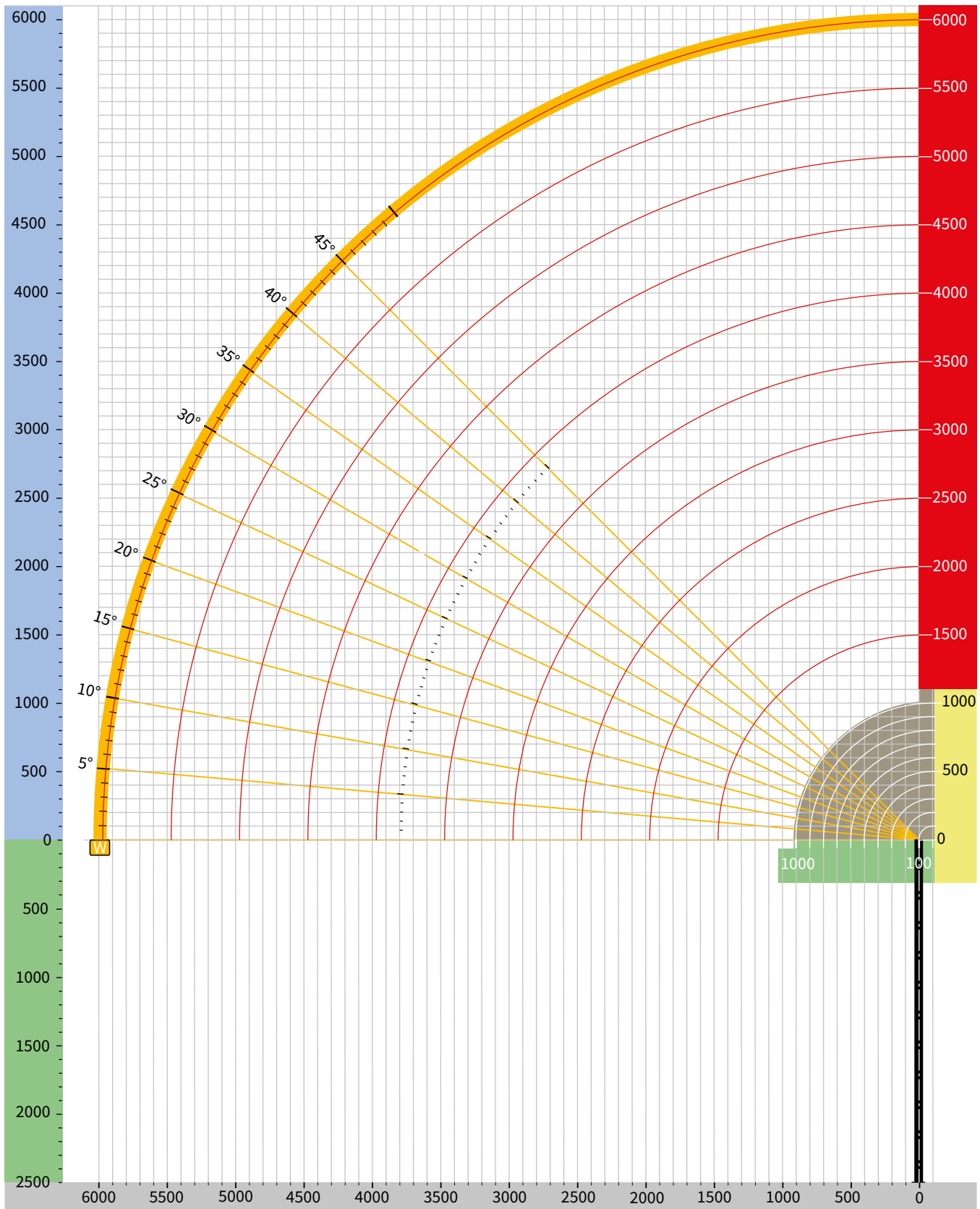


- ES = end of the guide track – central support post
- W = pitch
- H = extension
- WS = distance from wall to support post
- Y = distance front support posts have been moved back
- HD = difference to the fixture height
- SH = support post height, standard height 2500 mm
- AHS = fixture height from the top edge of the support post
- AH = fixture height

01  
02  
03  
04  
05  
06  
07  
08  
09  
10  
11  
12  
13  
14  
15  
16  
17  
18  
19  
20  
21  
22  
23

# Calculation graph, installation dimensions

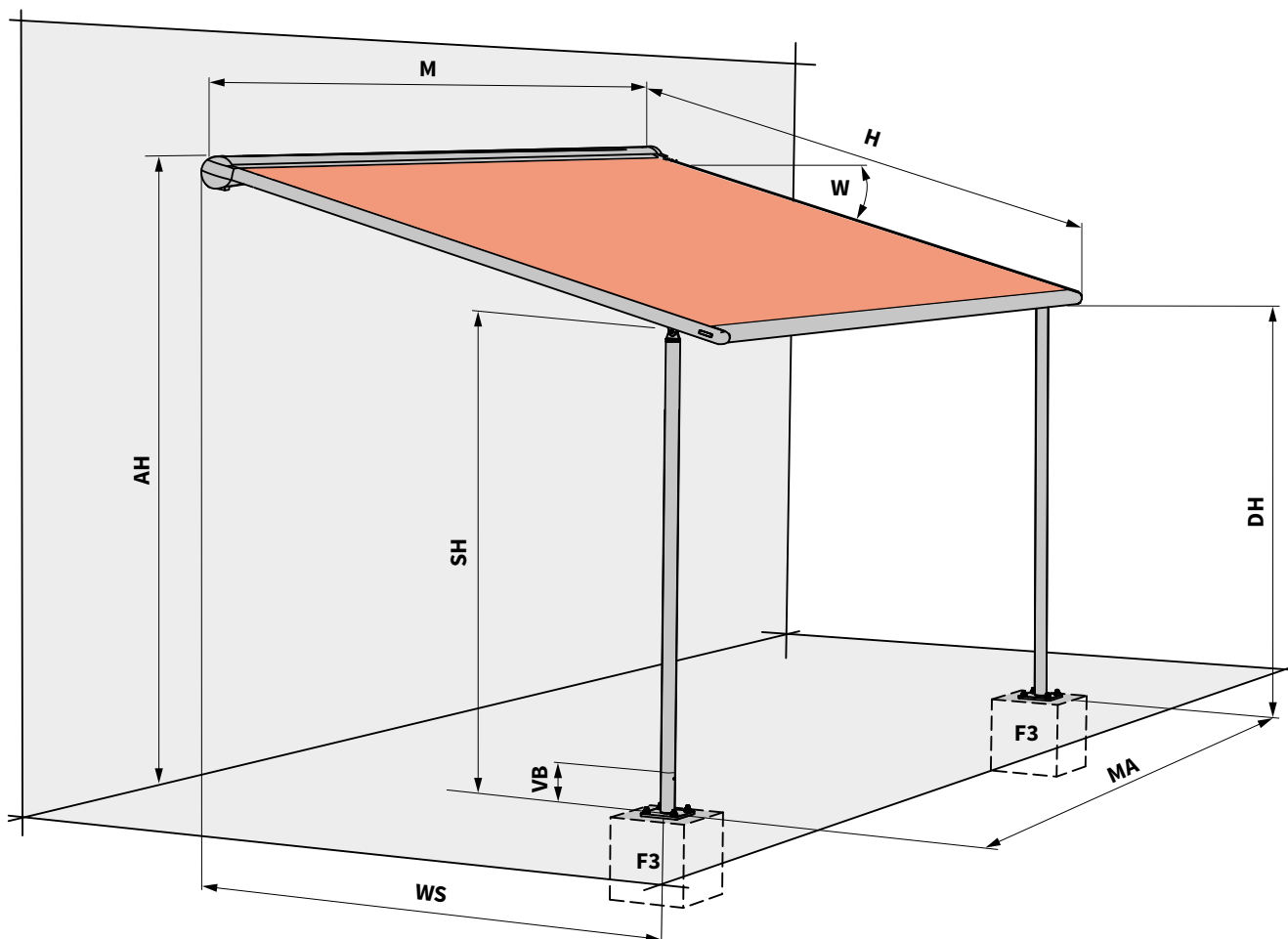
calculation of the approximate fixture height



dimensions in mm

## Installation dimensions

Single unit 1 field, 1 motor



M = overall awning width = MA + 10 cm

MA = awning fixture width = order width

H = extension

AH = fixture height

SH = support post height, standard height 2500 mm (special heights on request)

DH = headroom

W = awning pitch = 5° to 45°

VB = height adjustment 10 cm

WS = distance from wall to support post

F3 = concrete footings (refer to section "Dimensional overview, face fixture")

01

02

03

04

05

06

07

08

09

10

11

12

13

14

15

16

17

18

19

20

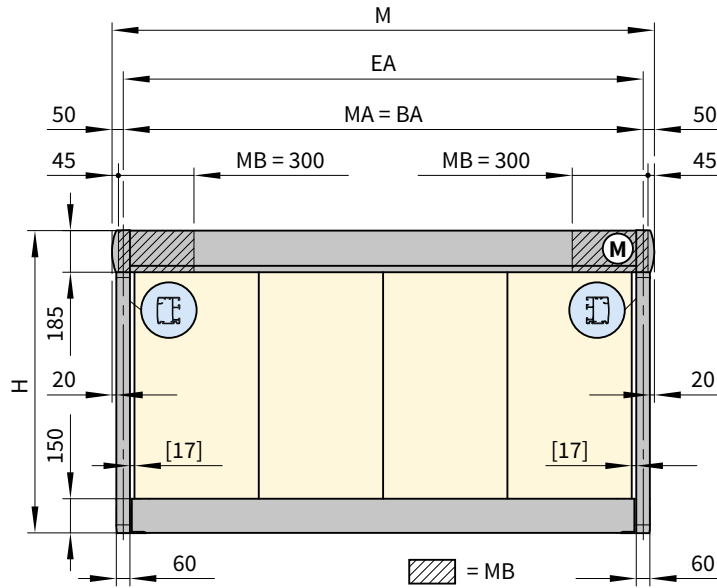
21

22

23

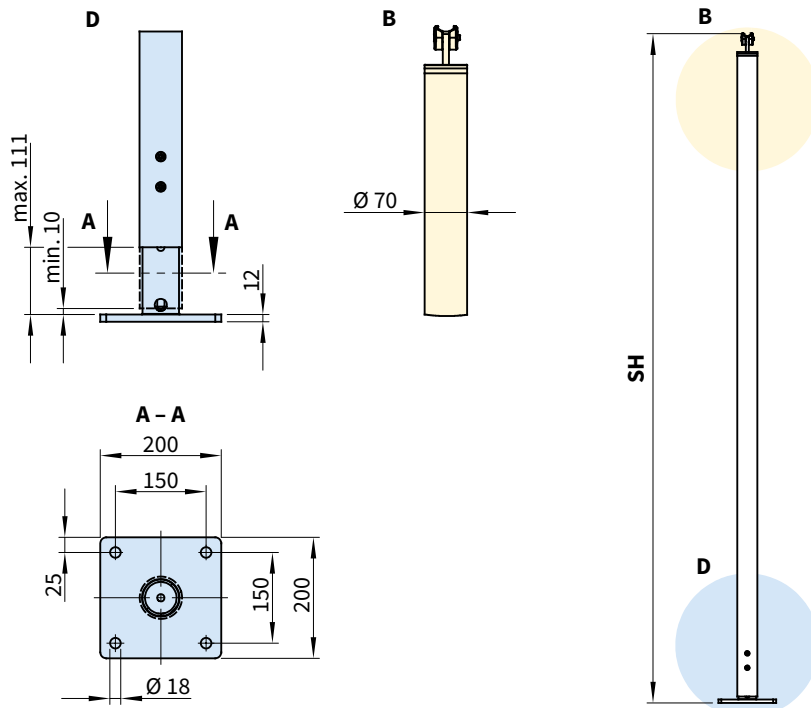
## Installation dimensions

Single unit 1 field, 1 motor



dimensions in mm

### Front support posts



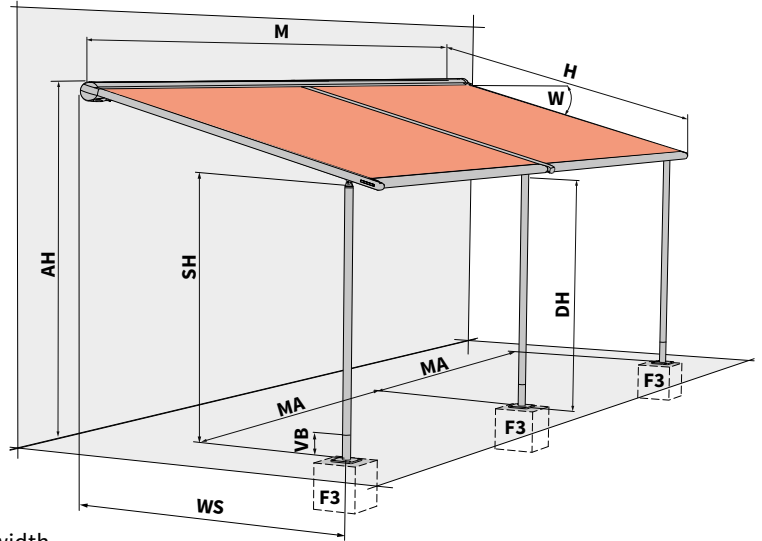
dimensions in mm

- M = overall awning width = MA + 10 cm
- MA = awning fixture width = order width
- H = extension
- SH = support post height, standard height 2500 mm (special heights on request)
- EA = single unit
- BA = fixture width = awning fixture width = order width
- MB = bracket fixture range
- (M) = operation side, motor drive
- [...] = the cover gap dimension on non-tracfix units; there is no cover gap in units with the tracfix system
- D = height adjustment at the base of both the front support posts during installation approximately 100 mm
- B = support post dimensions

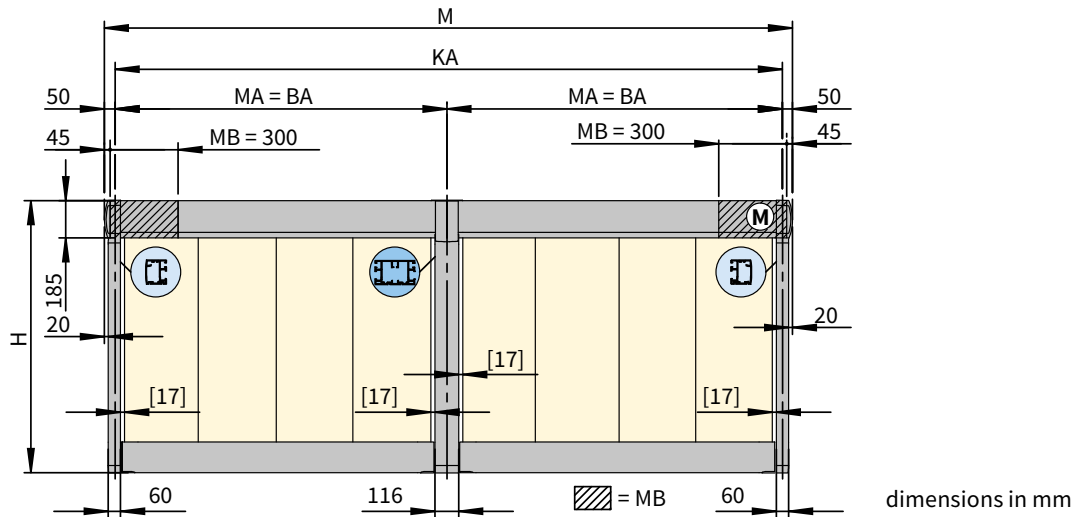
## Installation dimensions

### Coupled units

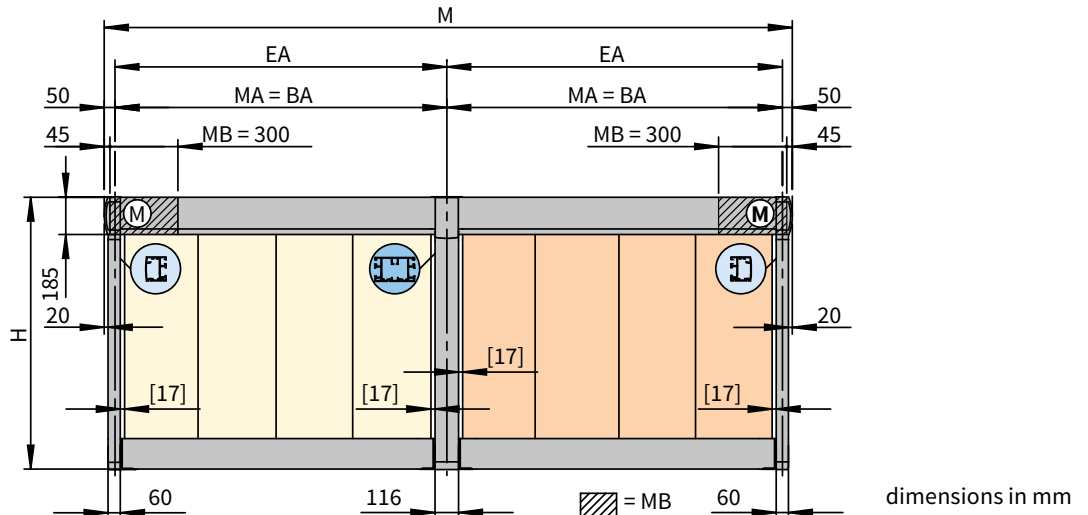
- M = overall awning width = MA + 10 cm
- MA = awning fixture width = order width
- H = extension
- AH = fixture height
- SH = standard support post height 2500 mm,  
(bespoke heights on request)
- DH = headroom
- W = awning pitch = 5° to 45°
- VB = height adjustment 10 cm
- WS = distance from wall to support post
- F3 = concrete foundation  
(see dimensional overview, face fixture)
- EA = single unit
- KA = coupled unit
- BA = fixture width = awning fixture width = order width
- MB = bracket fixture range
- Ⓜ = operation side, motor drive
- [...] = the cover gap dimension on non-tracfix units; there is no cover gap in units with the tracfix system



### Coupled units, 2 fields, 1 motor

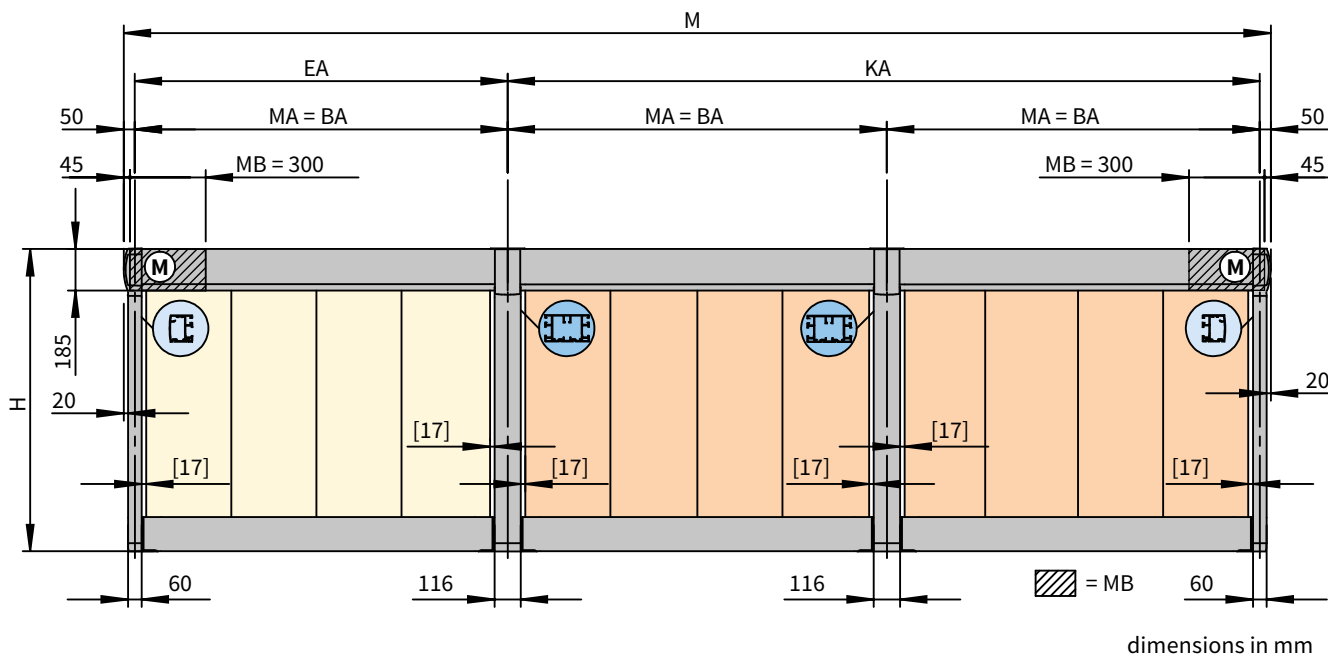


### Coupled units 2 fields, 2 motors

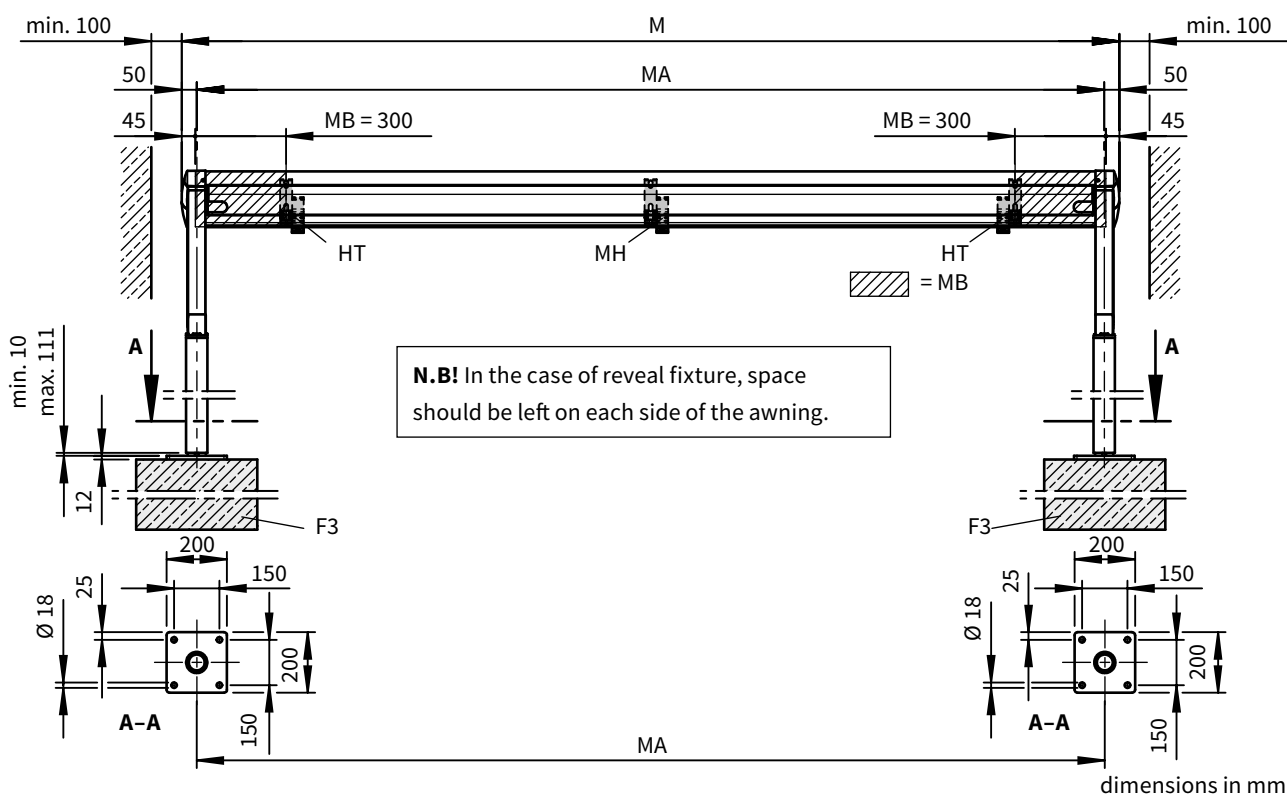


## Installation dimensions

Coupled units 3 fields, 2 motors



### Face fixture bracket range / dimensions in the case of reveal fixture (single and coupled units)



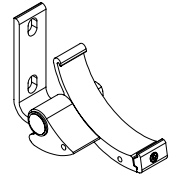
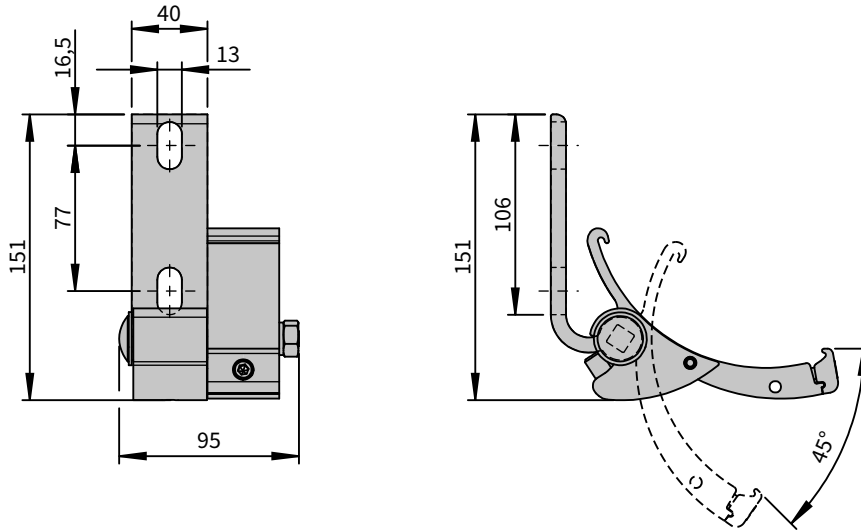
- M = overall awning width = MA + 10 cm
- MA = awning fixture width = order width
- H = extension
- EA = single unit
- KA = coupled unit
- BA = fixture width = awning fixture width = order width
- MB = bracket fixture range
- Ⓜ = operation side, motor drive

- [..] = the cover gap dimension in standard units; there is no cover gap in units with the tracfix system
- HT = bracket type
- MH = from an awning width of 601 cm an additional face fixture bracket (76063.) is required
- F3 = concrete footing (see dimensional overview, face fixture)



### Installation dimensions

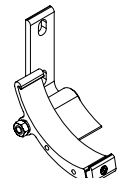
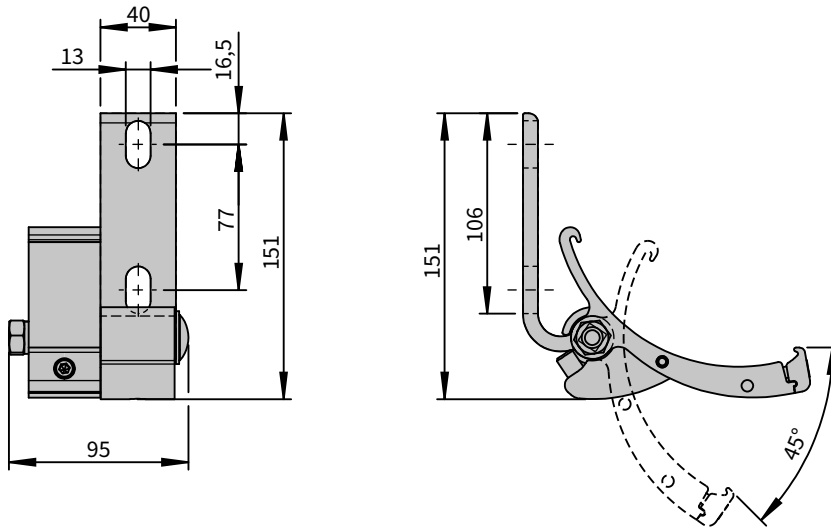
Face fixture cassette bracket assembly, left



76063.

dimensions in mm

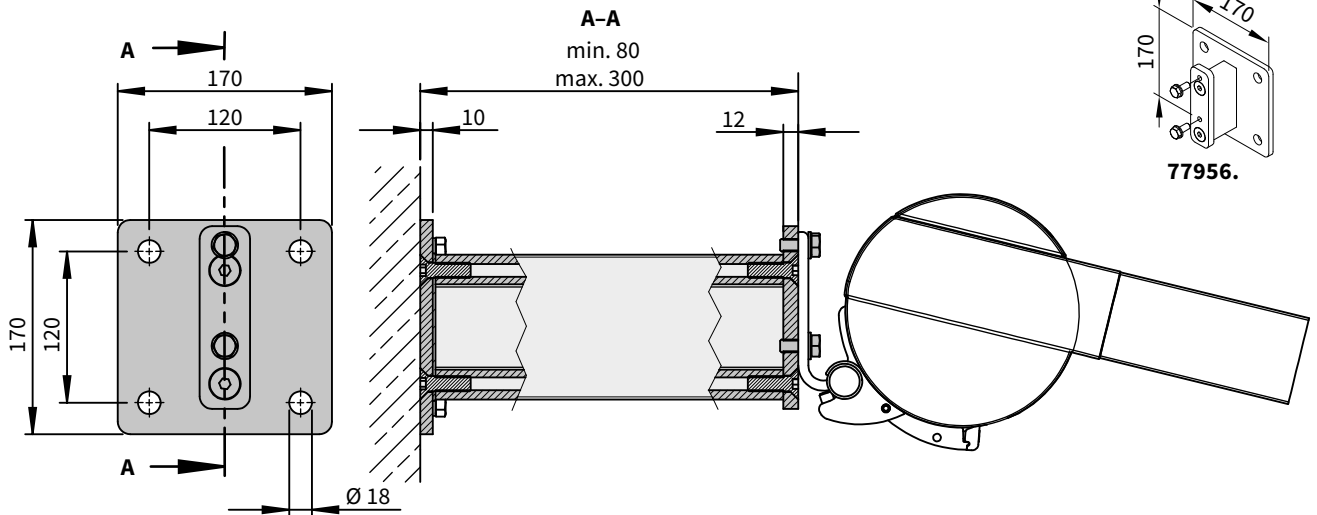
Face fixture cassette bracket assembly, right



76064.

dimensions in mm

Face fixture with stand-off brackets



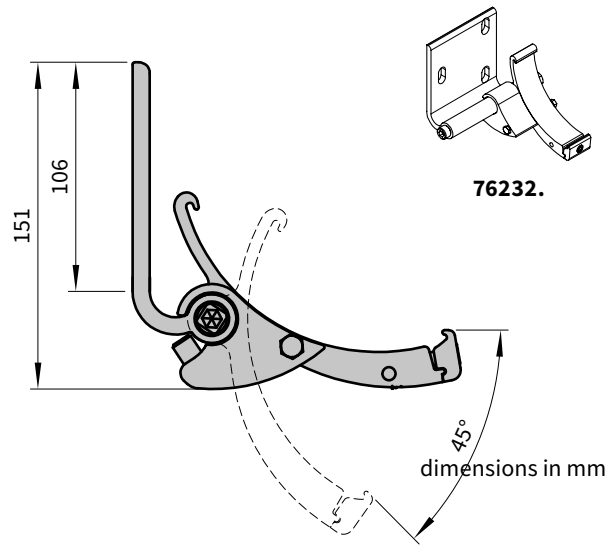
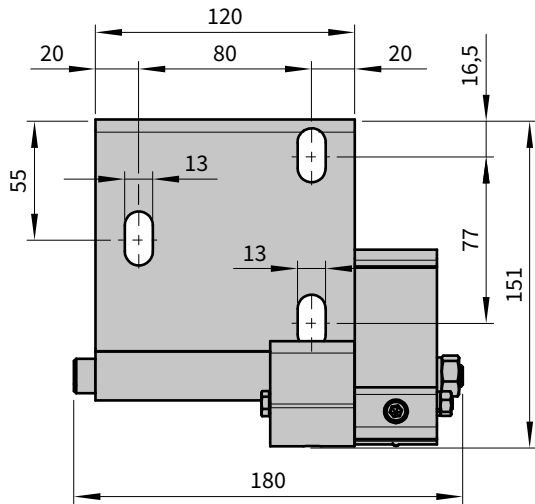
77956.

dimensions in mm

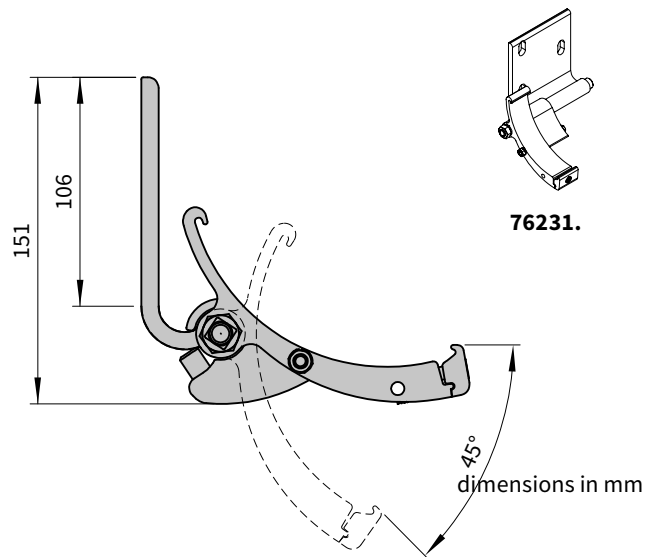
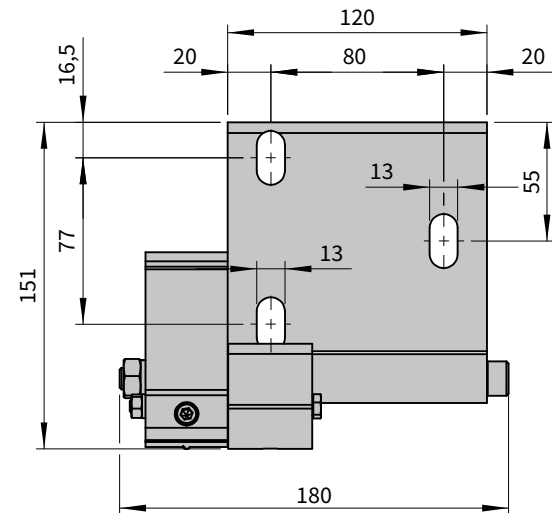
- 01
- 02
- 03
- 04
- 05
- 06
- 07
- 08
- 09
- 10
- 11
- 12
- 13
- 14
- 15
- 16
- 17
- 18
- 19
- 20
- 21
- 22
- 23

### Installation dimensions

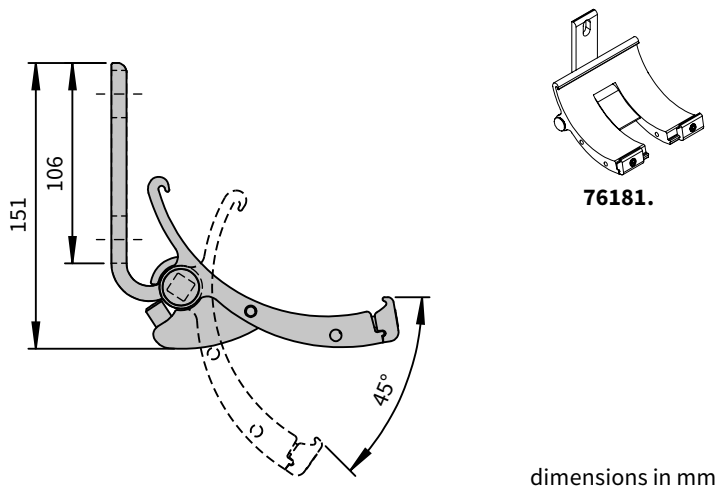
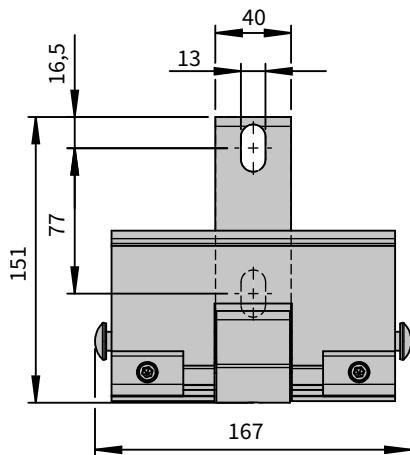
Face fixture bracket assembly, wide, right



Face fixture bracket assembly, wide, left

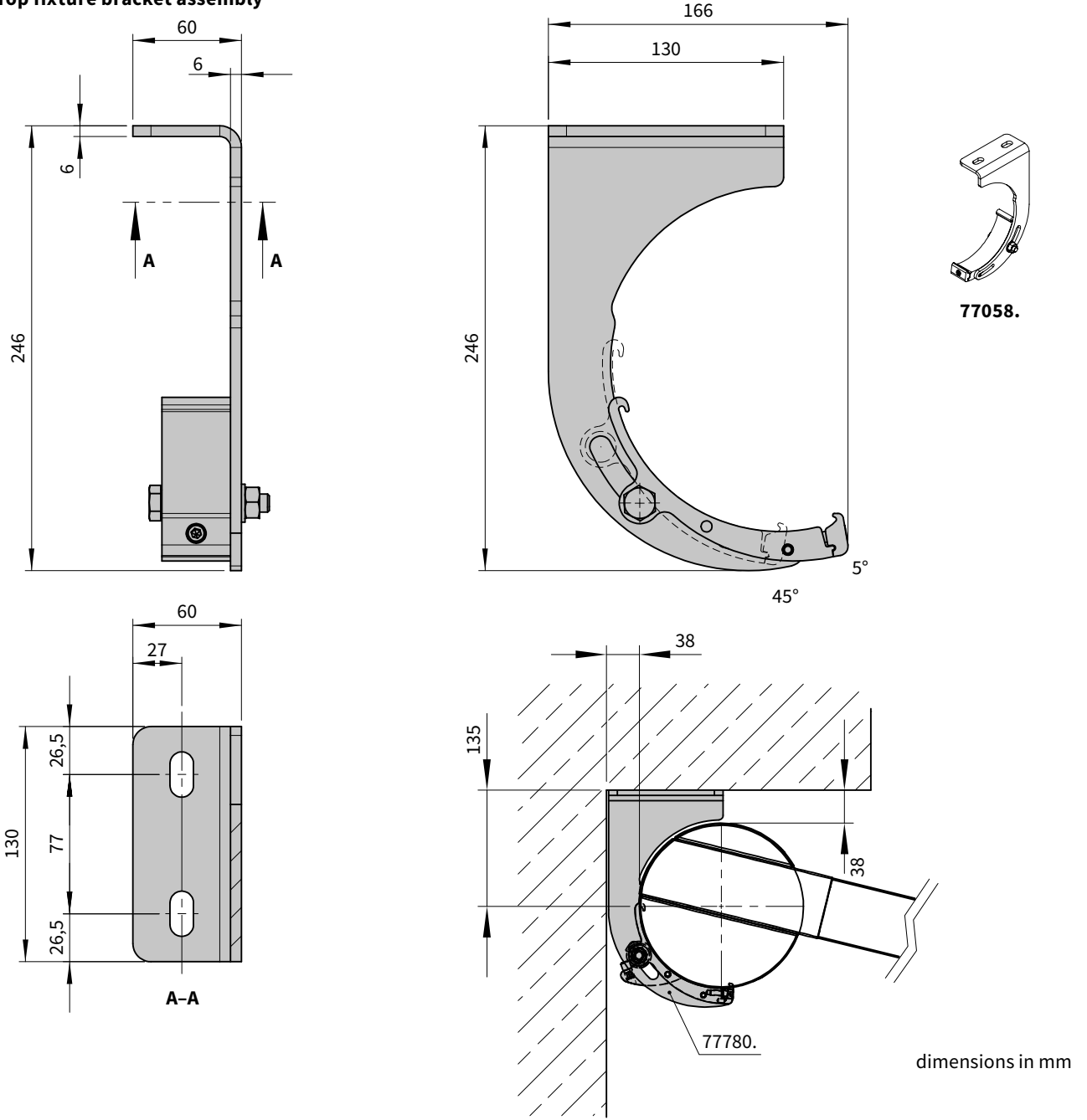


Cassette coupling bracket assembly (central in the case of coupled units)



# Installation dimensions

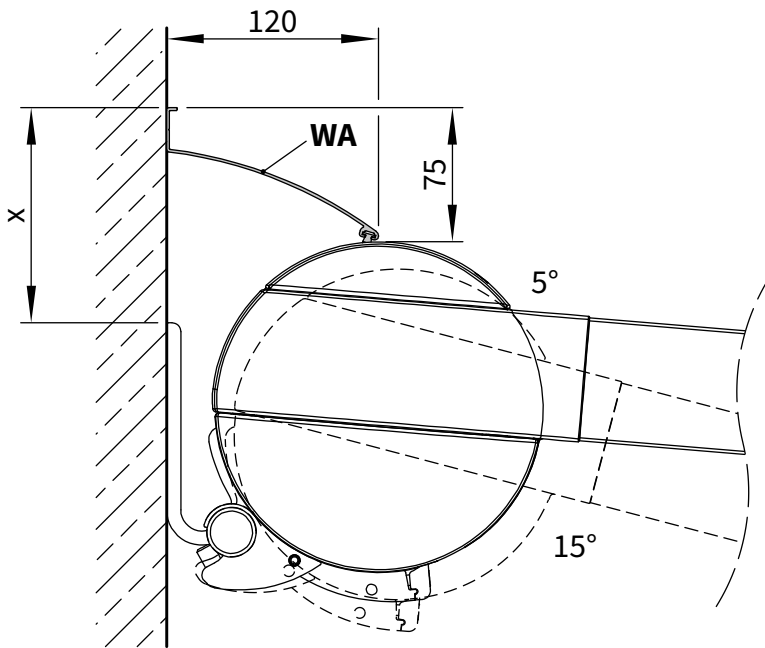
## Top fixture bracket assembly



- 01
- 02
- 03
- 04
- 05
- 06
- 07
- 08
- 09
- 10
- 11
- 12
- 13
- 14
- 15
- 16
- 17
- 18
- 19**
- 20
- 21
- 22
- 23

### Installation dimensions

Face fixture with wall sealing profile



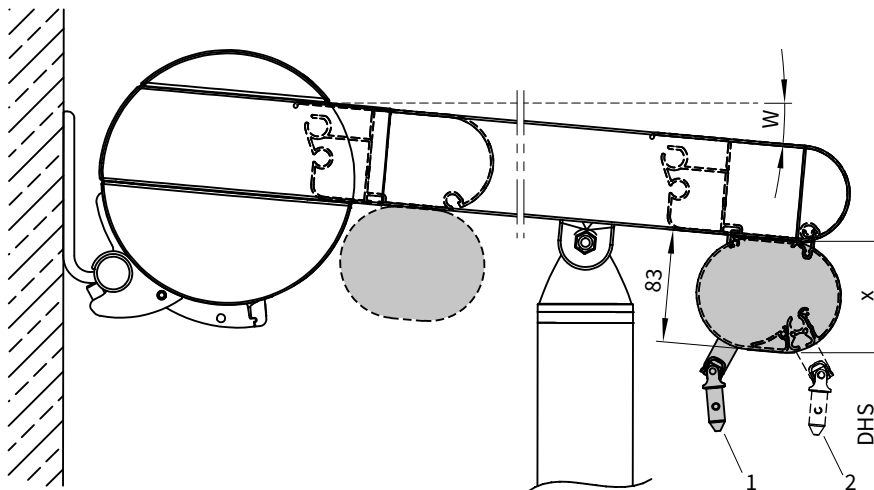
W	x
5°	122
10°	114
15°	105

dimensions in mm

WA = wall sealing profile

W = pitch (measured from the horizontal)

### Shadeplus (optional) operation



W	x
5°	82
10°	81
15°	80
20°	78
25°	75
30°	72
35°	68
40°	63
45°	58

dimensions in mm

1 = shadeplus operation from the rear

2 = shadeplus operation from the front (optional)

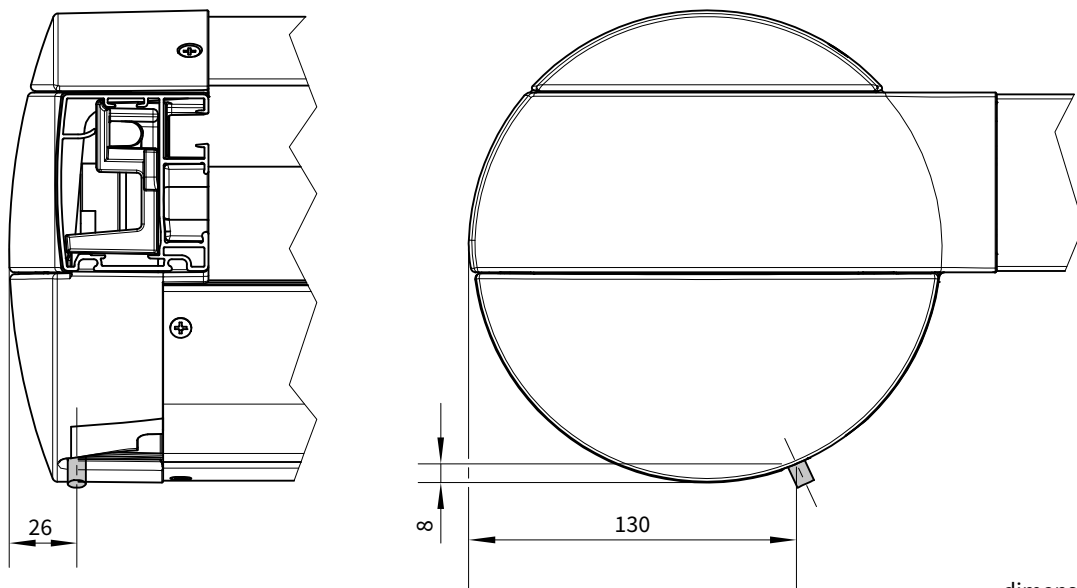
DH = headroom (without shadeplus)

DHS = headroom with shadeplus = DH - x

W = pitch (measured from the horizontal)

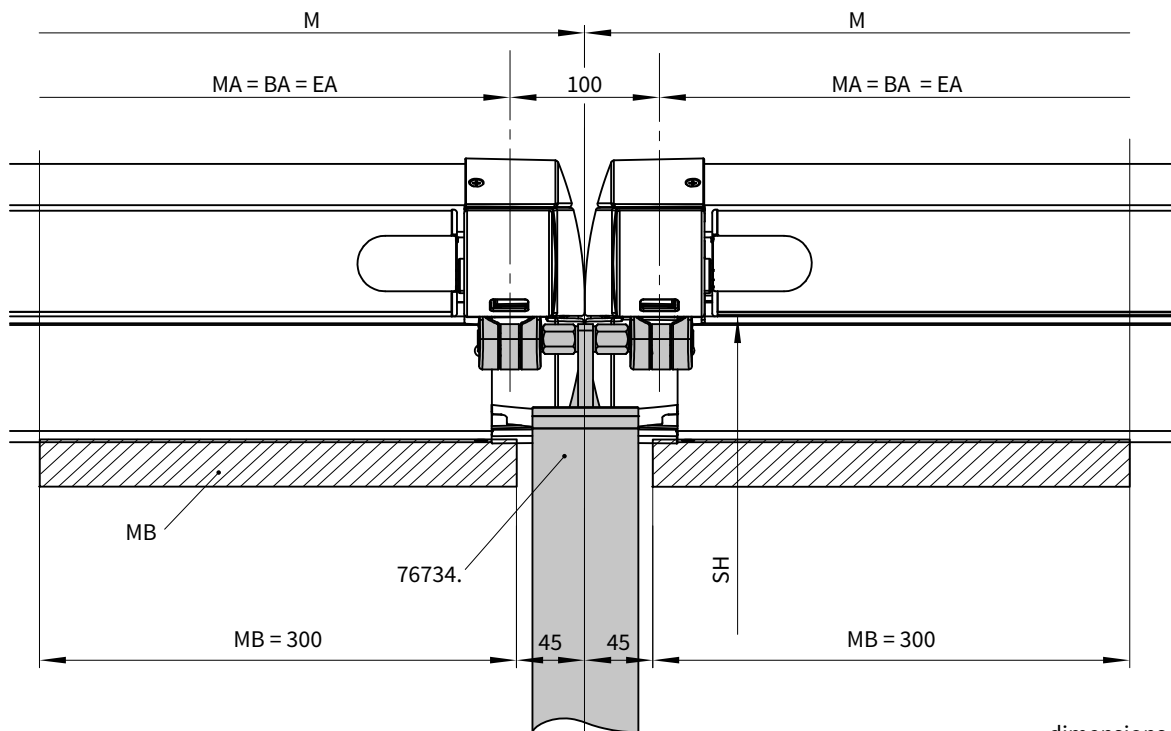
## Installation dimensions

Cable exit point in the case of motor-driven units



dimensions in mm

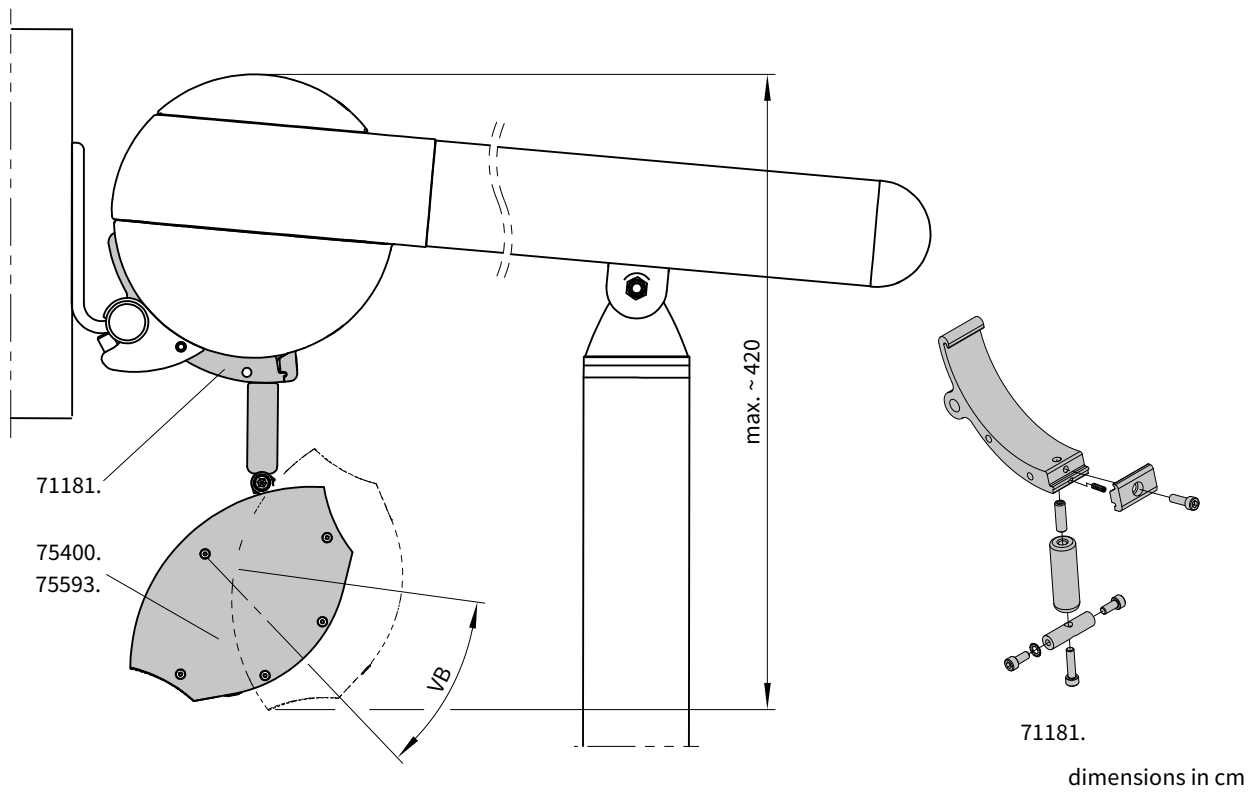
Support post with double track bracket for two single guide tracks



dimensions in mm

- M = overall awning width = MA + 10 cm
- MA = awning fixture width = width between fixing points
- BA = fixture width = awning fixture width
- EA = single unit
- MB = bracket fixture range
- SH = support post height
- 76734. = support post with double track bracket

### Brackets for the markilux infrared heater



- 71181. = brackets for infrared heaters
- 75400. = infrared heater 1400 W
- 75593. = infrared heater 2000 W
- VB = adjustment range