



markilux 740 / 840

**The marquisolette in a cassette with guide rails using innovative arm technology and gas pistons – the ideal combination:
half vertical blind, half drop-arm awning, highly practical**

**rated to wind resistance class 2
(corresponds to Beaufort 5)**



side view
markilux 740



side view
markilux 840



gas pistons
in the drop arms



markilux 840
retracted



markilux 740



markilux 840

Design Features

the markilux 740: compact, square and discreet, the cassette profile made of extruded aluminium is only 95 mm in height

when closed the blind cover is protected from the weather by the fully encompassing cassette

an additional cassette profile gives a cleaner appearance and reduces the amount of mechanics visible

for long-lasting attractiveness the blind has been powder coated

Technical Specification

robust, self-supporting cassette made of extruded aluminium

extremely sturdy, stainless steel side cheek, sheathed in plastic and powder coated

operation by means of a smooth gearbox and universal joint

an automatic locking device in the guide rails prevents the arm mechanism from lifting in windy conditions

gas pistons in the arms ensure that the cover stays taut

also available as a coupled unit to span large widths

Optional Accessories

hard-wired motor operation (optionally with automatic weather controls) for straightforward and easy operation

radio-controlled motor with radio remote control for ease of use

an easily installed, radio control light and wind sensor guarantees comfort and a degree of safety – even in your absence

Dimensions and configuration options

		75	100	150	200	250	300		
		75	76 100	101 150	151 200	201 250	251 300		
	120						74.5	73.5	
	160								
	200								
	240								
	280								
	300								

Operation / Drive unit

	standard	optional
winding handle operation	<input checked="" type="checkbox"/>	—
interior manual operation	—	<input checked="" type="checkbox"/>
manual operation from the rear	—	<input checked="" type="checkbox"/>
hard-wired motor	—	<input checked="" type="checkbox"/>
radio-controlled motor (433 MHz)	—	<input checked="" type="checkbox"/>
io radio-controlled motor	—	<input checked="" type="checkbox"/>

Coupled units

	standard	optional
2 fields	—	<input checked="" type="checkbox"/>

Dimensions and tolerances

	width	drop
housing tolerances	+5 / -10	
blind cover width = blind width	-100 ⁶⁾ -125 ⁷⁾	
blind cover length = unit height		+200

6) motor dimensions in mm

7) manual operation

Miscellaneous

	standard	optional
light and wind sensor	—	<input checked="" type="checkbox"/>

Covers

dimensions in cm

	fabric range no.	standard	optional
sunsilk snc	324 xx / 328 xx / 369 xx	<input checked="" type="checkbox"/>	—
sunvas snc	310 xx / 311 xx 313 xx — 315 xx	<input checked="" type="checkbox"/>	—
perfortex	332 xx	<input checked="" type="checkbox"/> ¹⁾	—
sunsilk perla FR	374 xx	—	<input checked="" type="checkbox"/> ²⁾
transolair	338 xx	—	<input checked="" type="checkbox"/> ³⁾
vuscreen ALU	317 xx	—	<input checked="" type="checkbox"/> ⁴⁾
sunvas perla	370 xx	—	<input checked="" type="checkbox"/> ²⁾

- 1) stitched seams; in the case of the markilux 740 only up to a maximum unit height of 250 cm
- 2) in the case of the markilux 740 up to a maximum unit height of 250 cm with vertical bonded seams
- 3) depending on the width and unit height with horizontal, bonded seam(s)
- 4) in the case of the markilux 740 only seamless and up to a maximum unit height of 250 cm; depending on the width and unit height with horizontal, bonded seam(s)

Frame colours

	standard	optional
traffic white RAL 9016	<input type="checkbox"/>	
metallic aluminium RAL 9006	<input type="checkbox"/>	
grey brown, similar to RAL 8019	<input type="checkbox"/>	
non-standard powder-coated finish		

Colours similar to those in the RAL chart. Colours may differ slightly from those depicted in both hue and finish.

= hard-wired motor

= radio-controlled motor (433 MHz)

M = overall blind width

M min. = minimum width

AH = unit height

01
02
03
04
05
06
07
08
09
10
11
12
13
14
15
16
17
18
19
20
21

Additional information

The width of the blind cover is always **less** than that of the blind. Please ask us about the cover sizes of coupled units.

Standard manual operation with bayonet fitting and universal joint made of stainless steel is operated from outside the building (winding handle lengths 110, 140, 160, 180 or 220 cm).

Manual interior operation with universal joint:

This operation type requires exact fixture, usually means high (labour) costs for the end consumer and can only be employed on single units. We therefore recommend the use of a radio-controlled motor.

Manual operation using a universal joint and **from the rear**:

This operation type should be used in installations when the system can be approached from the rear (e.g. on balconies).

In the case of manual operation it takes approximately 24 turns per metre of overall unit height to extend the system.

In the case of **motor operation** the blind will take approx. **15 seconds per metre to extend**.

N.B! If the **motor is used continuously** it will stop automatically after 3 to 4 minutes **to prevent overheating**.

In the case of a **bank of awnings operating simultaneously**, the same speed of rotation of the motors cannot be guaranteed because of the internal tolerances of the motors.

Depending on the size of the blind, deflection may be in evidence in individual profiles and sections of profile which is completely unavoidable. This affects neither the functionality nor the durability of the awning.

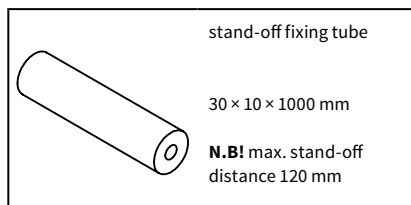
In the case of asymmetrical, coupled units, the larger field may be no more than twice as large as the smaller field.

Coupled units are only available with motor (surcharge).

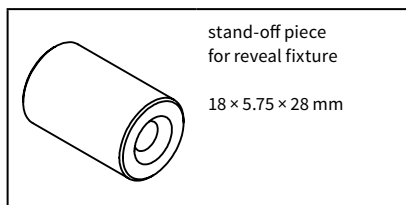
The maximum width of coupled units is 2 × 250 cm.

Fixtures, fittings and accessories

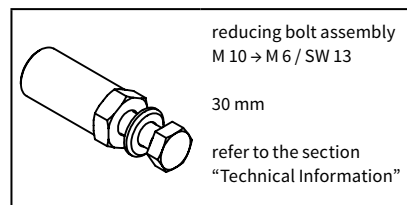
markilux 740 / 840



701668



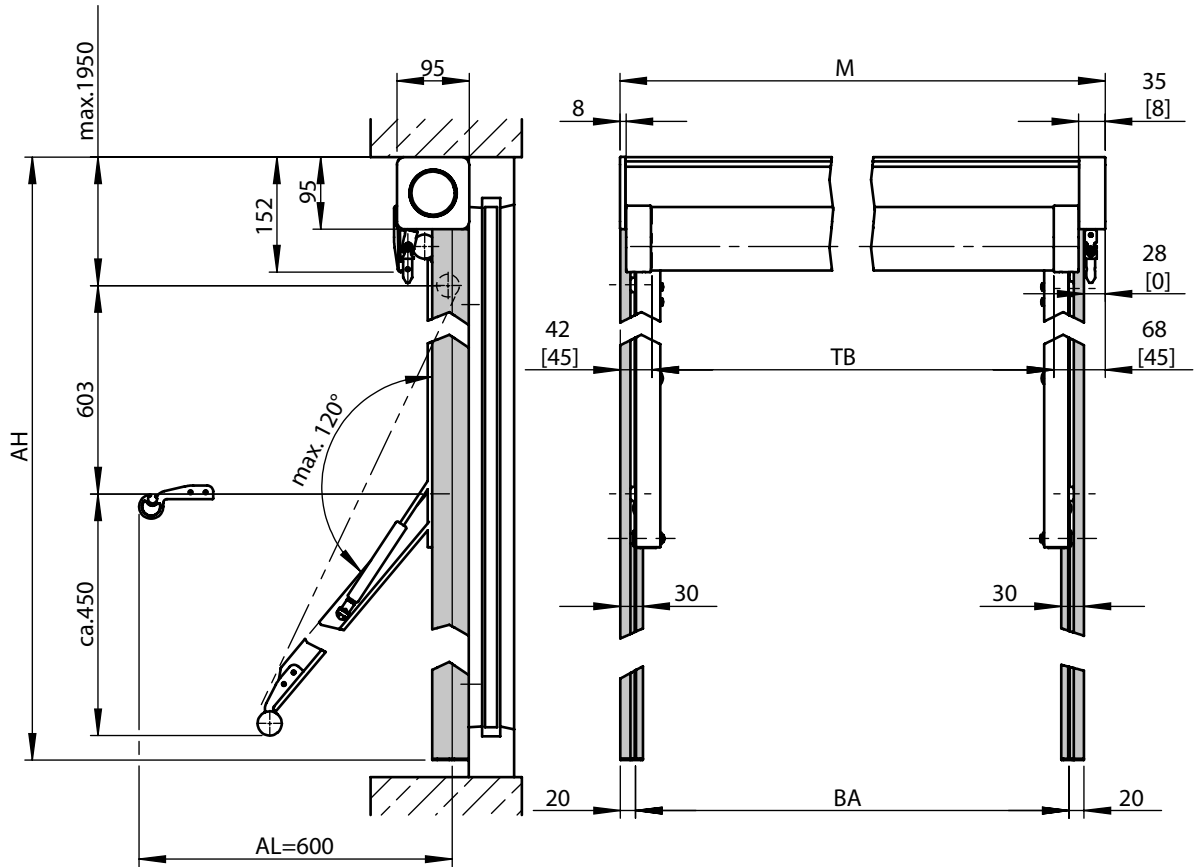
78643.



753211

. = insert RAL colour code no.

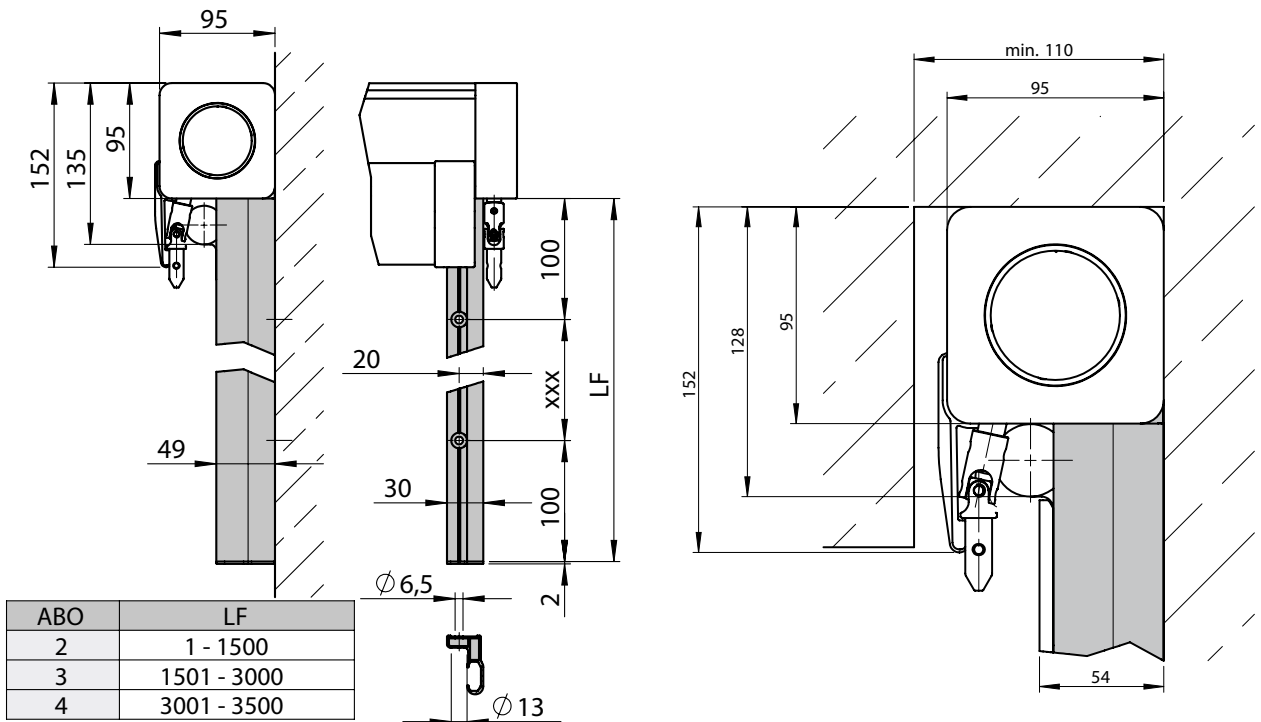
Dimension overviews markilux 740



Face fixture

Reveal fixture

dimensions in mm



AH = unit height

AL = arm length

M = blind width

TB = cover width

FW = width between fixture points

[...] = dimensions in the case of motor / interior operation

ABO = no. of drill holes

LF = length of the guide rail

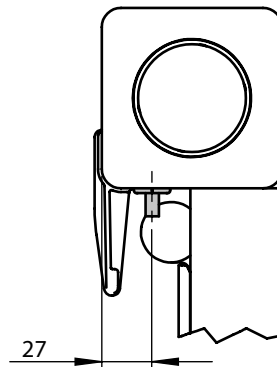
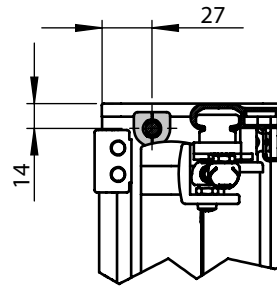
xxx = even drill hole distribution

dimensions in mm

- 01
- 02
- 03
- 04
- 05
- 06
- 07
- 08
- 09
- 10
- 11
- 12
- 13
- 14
- 15
- 16
- 17
- 18
- 19
- 20
- 21

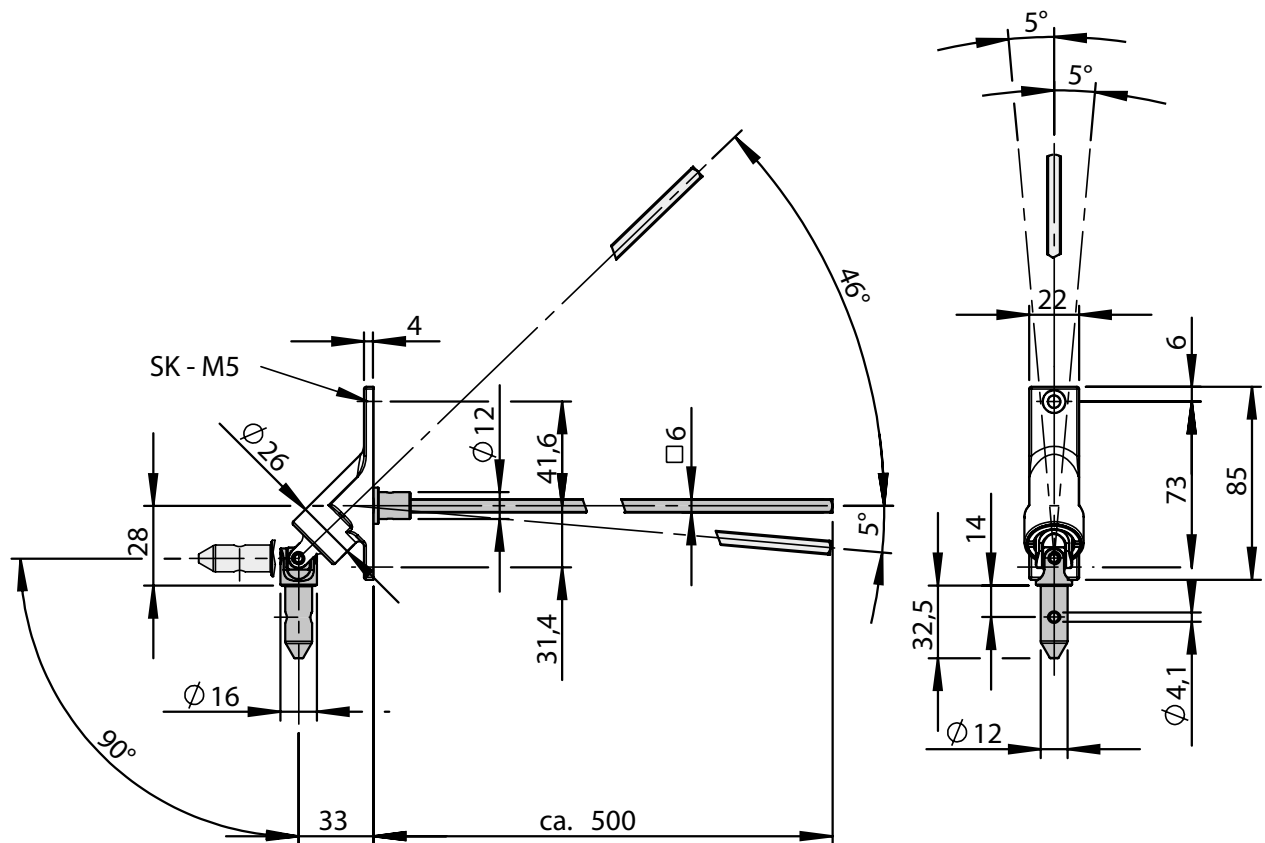
Dimension overviews markilux 740

Cable exit point in the case of motor-driven units



dimensions in mm

Winding handle for interior operation $\varnothing 16$ mm up to a vertical angle of 90° and a horizontal angle of 5°

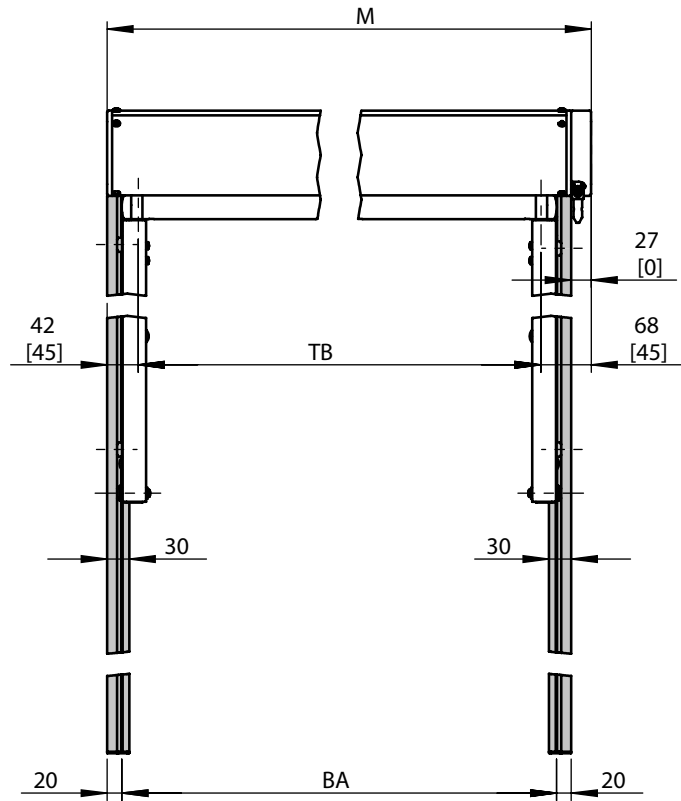
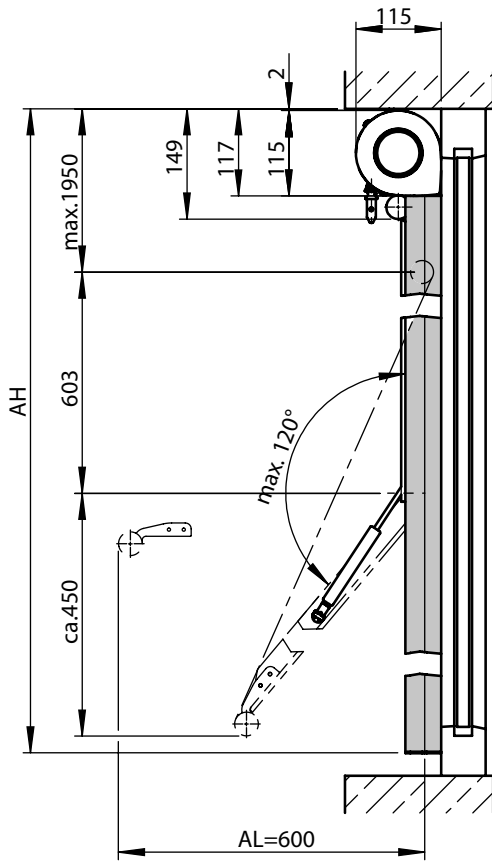


dimensions in mm

SK = chase out depth

- 01
- 02
- 03
- 04
- 05
- 06
- 07
- 08
- 09
- 10
- 11
- 12
- 13
- 14
- 15
- 16
- 17
- 18
- 19
- 20
- 21

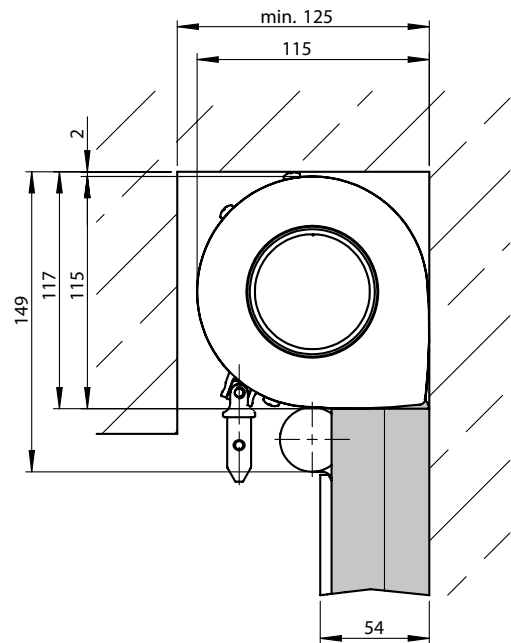
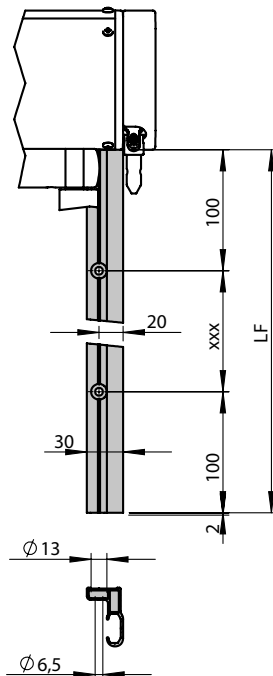
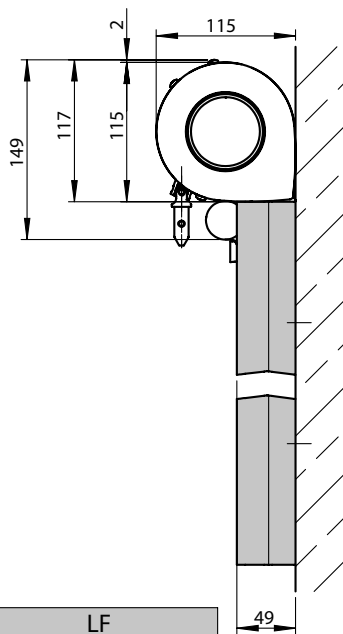
Dimension overviews markilux 840



dimensions in mm

Face fixture

Reveal fixture



ABO	LF
2	1 - 1500
3	1501 - 3000
4	3001 - 3500

AH = unit height

AL = arm length

M = blind width

TB = cover width

BA = width between fixture points

[...] = dimensions in the case of motor / interior operation

ABO = no. of drill holes

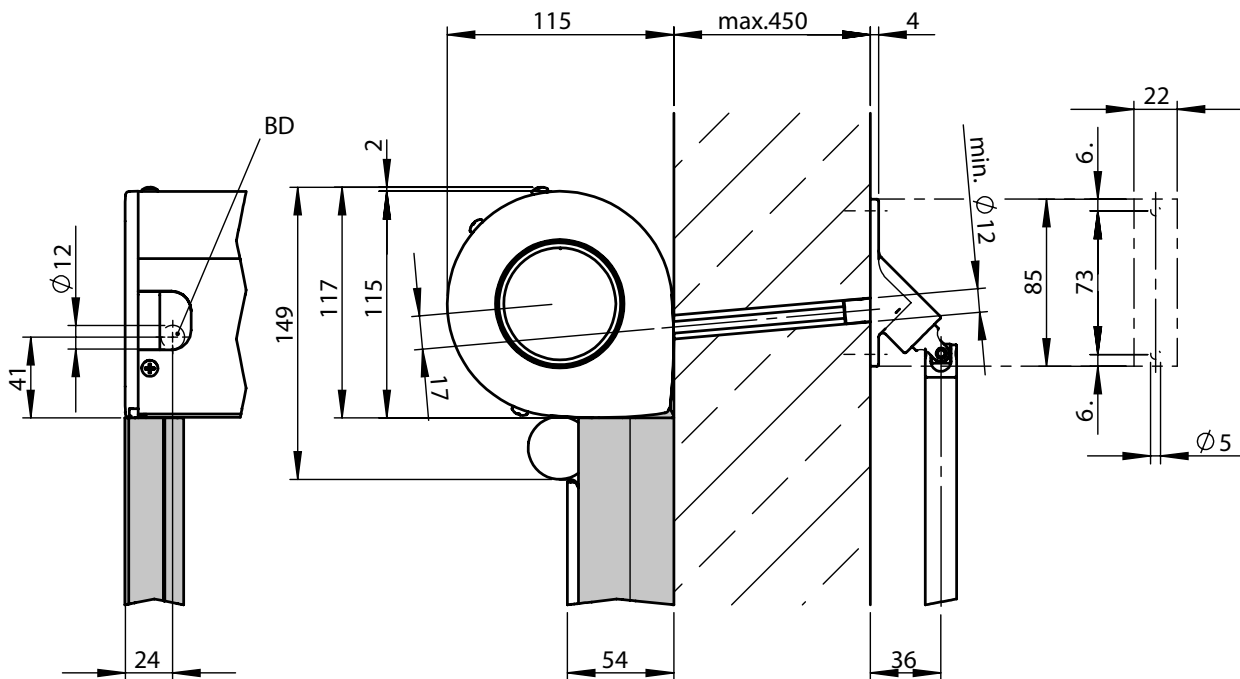
LF = length of the guide rail

xxx = even drill hole distribution

dimensions in mm

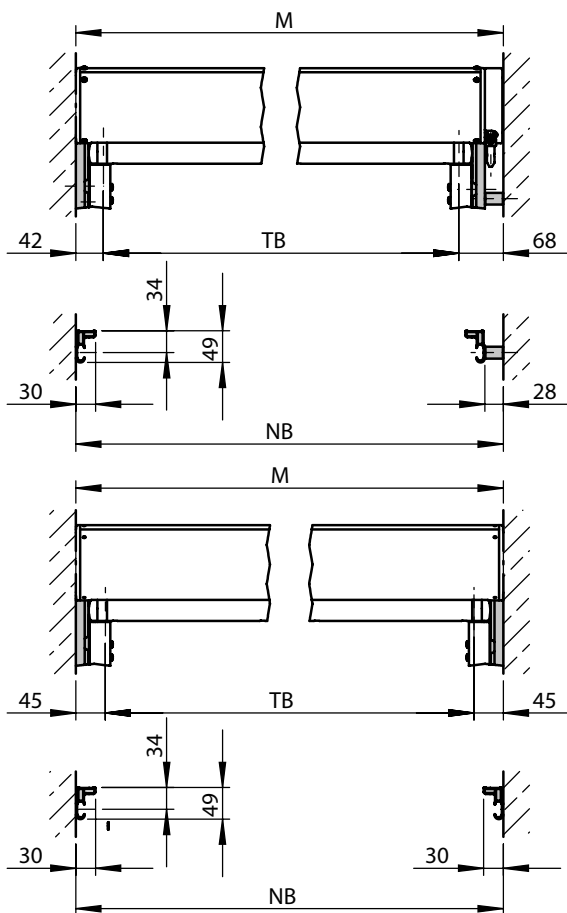
Dimension overviews markilux 840

Face fixture with interior operation



dimensions in mm

Reveal fixture in the case of gearbox / motor operation



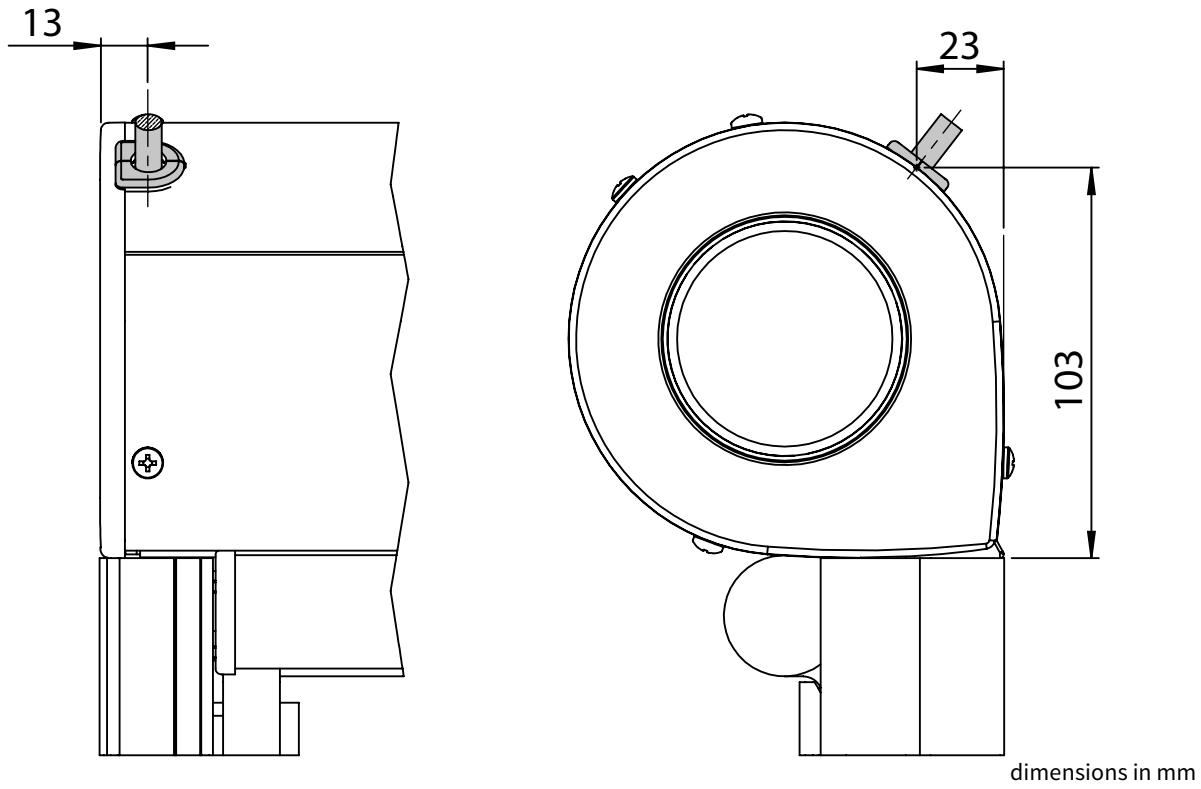
dimensions in mm

- M = blind width
- TB = cover width
- NB = reveal width
- BD = horizontal drill hole

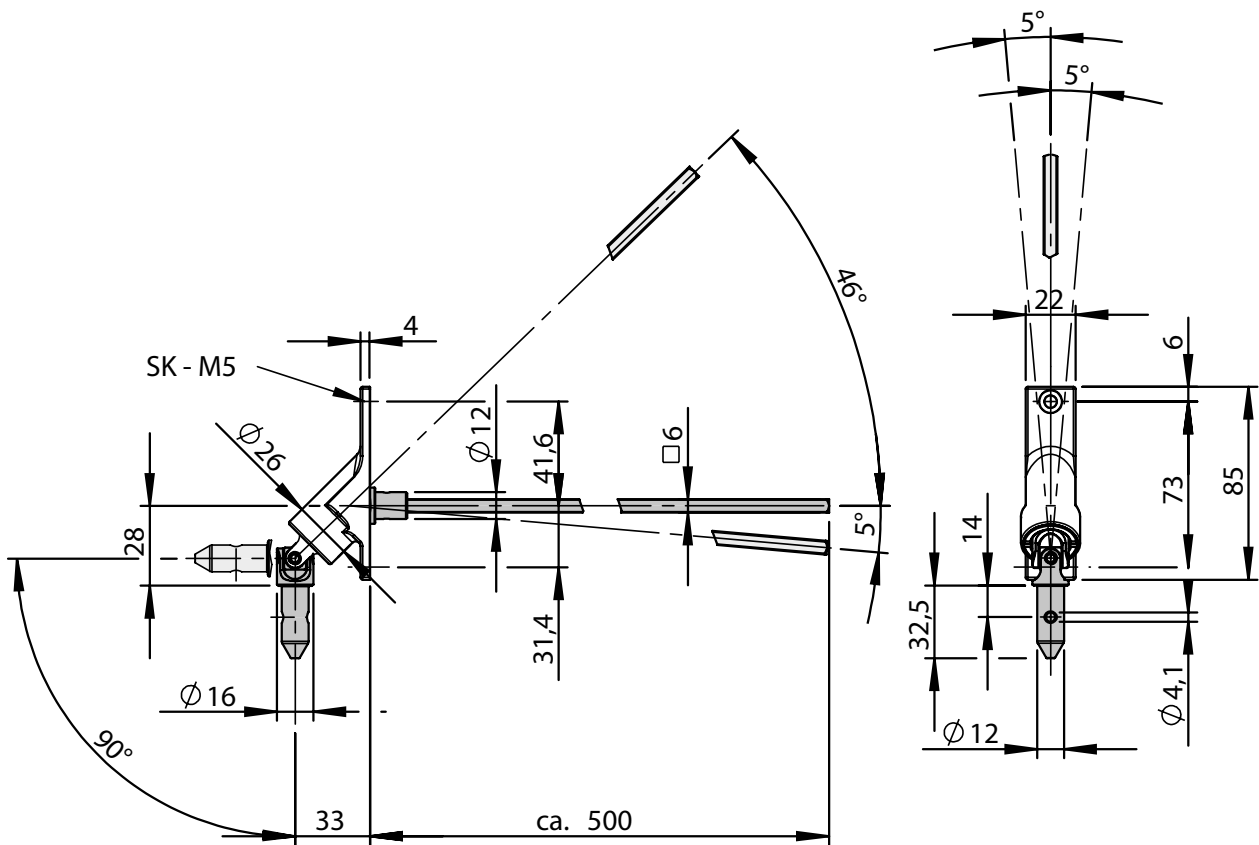
- 01
- 02
- 03
- 04
- 05
- 06
- 07
- 08
- 09
- 10
- 11
- 12
- 13
- 14
- 15
- 16
- 17
- 18
- 19
- 20
- 21

Dimension overviews markilux 840

Cable exit point in the case of motor-driven units



Winding handle for interior operation \varnothing 16 mm up to a vertical angle of 90° and a horizontal angle of 5°



SK = chase out depth

dimensions in mm