



markilux 720 / 820

The vertical cassette blind with guide rails, making fixture possible without any additional brackets

**rated to wind resistance class 2
(corresponds to Beaufort 5)**



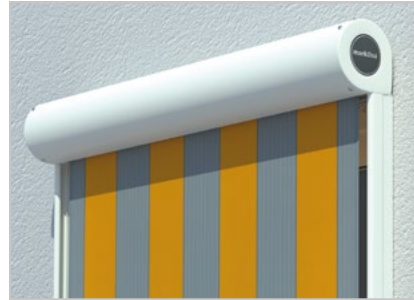
side view
markilux 720



side view
markilux 820



square cassette
markilux 720



round cassette
markilux 820



reveal fixture
square cassette
markilux 720



reveal fixture
round cassette
markilux 820

Design Features

vertical blind, complete protection from the sun and inquisitive glances

the markilux 720: compact, square and discreet, the cassette profile made of extruded aluminium is only 95 mm in height

for long-lasting attractiveness the blind has been powder coated

when closed the awning cover is protected from the weather by the fully encompassing cassette

Technical Specification

robust, self-supporting cassette made of extruded aluminium

operation by means of a smooth gearbox and universal joint

also available as a coupled unit to span large widths

extremely sturdy, stainless steel side cheek, sheathed in plastic and powder coated

the blind cover is guided along sturdy, aluminium guide rails

Optional Accessories




hard-wired motor operation (optionally with automatic weather controls) for straightforward and easy operation

radio-controlled motor with radio remote control for ease of use

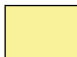
an easily installed, radio control light and wind sensor guarantees comfort and a degree of safety – even in your absence

handle for interior operation. Manual operation from inside the room

Dimensions and configuration options

		M					M min.		
		75	100	150	200	250	300		
		71 75	76 100	101 150	151 200	201 250	251 300	74.5	73.5
	120								
	160								
	200								
	250								
	300								
350									

dimensions in cm

 = available

Operation / Drive unit

	standard	optional
winding handle operation	<input checked="" type="checkbox"/>	—
interior operation	—	<input checked="" type="checkbox"/>
operation from the rear	—	<input checked="" type="checkbox"/>
hard-wired motor	—	<input checked="" type="checkbox"/>
io radio-controlled motor	—	<input checked="" type="checkbox"/>
radio-controlled motor (433 MHz)	—	<input checked="" type="checkbox"/>

Coupled units

	standard	optional
2 fields	—	<input checked="" type="checkbox"/>

Dimensions and tolerances

	width	drop
housing tolerances	+5 / -10 mm	
blind cover width = blind width	-90 mm	
blind cover length = unit height		± 0 mm


Covers


	fabric range no.	standard	optional
sunsilk snc	324 xx / 328 xx / 369 xx	<input checked="" type="checkbox"/> 1)	—
sunvas snc	310 xx / 311 xx 313 xx — 315 xx	<input checked="" type="checkbox"/> 1)	—
sunsilk perla FR	374 xx	—	<input checked="" type="checkbox"/> 2)
transolair	338 xx	—	<input checked="" type="checkbox"/> 4)
perfortex	332 xx	<input checked="" type="checkbox"/> 2)	—
vuscreen ALU	317 xx	—	<input checked="" type="checkbox"/> 3)
sunvas perla	370 xx	—	<input checked="" type="checkbox"/> 2)

- 1) in the case of the markilux 720 up to a maximum unit height of 300 cm; from a certain height the cover will be made with horizontal panels
- 2) in the case of the markilux 720 up to a maximum unit height of 250 cm
- 3) only up to a width of 252 cm; in the case of the markilux 720 only seamless and up to a maximum unit height of 250 cm
- 4) cover seamless; from an overall blind width of 261 cm and a unit height of 248 cm with horizontal seam

Miscellaneous

	standard	optional
light and wind sensor	—	<input checked="" type="checkbox"/>

 = hard-wired motor

 = radio-controlled motor (433 MHz)





M = overall blind width

M min. = minimum widths

AH = unit height

01
02
03
04
05
06
07
08
09
10
11
12
13
14
15
16
17
18
19
20
21

Frame colours

		standard	optional
traffic white	RAL 9016		
metallic aluminium	RAL 9006		
grey brown, similar to	RAL 8019		
non-standard powder-coated finish			

Colours similar to those in the RAL chart. Colours may differ slightly from those depicted in both hue and finish.

Additional information

The width of the blind cover is always **less** than that of the blind. Please ask us about the cover sizes of coupled units.

Standard manual operation with bayonet fitting and universal joint made of stainless steel is operated from outside the building (winding handle lengths 110, 140, 160, 180 or 220 cm).

Manual interior operation with universal joint: This operation type requires exact fixture, usually means high (labour) costs for the end consumer and can only be employed on single units. We therefore recommend the use of a radio-controlled motor.

Manual operation using a universal joint and **from the rear:** This operation type should be used in installations when the system can be approached from the rear (e.g. on balconies).

In the case of **manual operation** it takes approximately 24 turns per metre of overall unit height to extend the system.

In the case of **motor operation** the awning will take approx. 15 seconds per metre to extend.

N.B.! If the **motor is used continuously** it will stop automatically after 3 to 4 minutes **to prevent overheating.**

In the case of **a bank of awnings operating simultaneously,** the same speed of rotation of the motors cannot be guaranteed because of the internal tolerances of the motors.

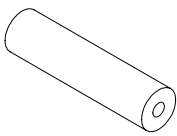
Coupled units are only available with motor (surcharge). The maximum coupled unit width is 2 x 300 cm.

In the case of asymmetrical coupled units, the larger field may be no more than twice as large as the smaller field.

Depending on the size of the blind, deflection may be in evidence in individual profiles and sections of profile which is completely unavoidable. This affects neither the functionality nor the durability of the awning.

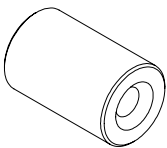
Fixtures, fittings and accessories

markilux 720 / 820



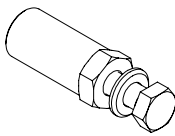
spacer tube for stand-off fixture
30 x 10 x 1000 mm
N.B! max. stand-off distance = 120 mm

701668



spacer for reveal fixture
18 x 5.75 x 28 mm

78643.



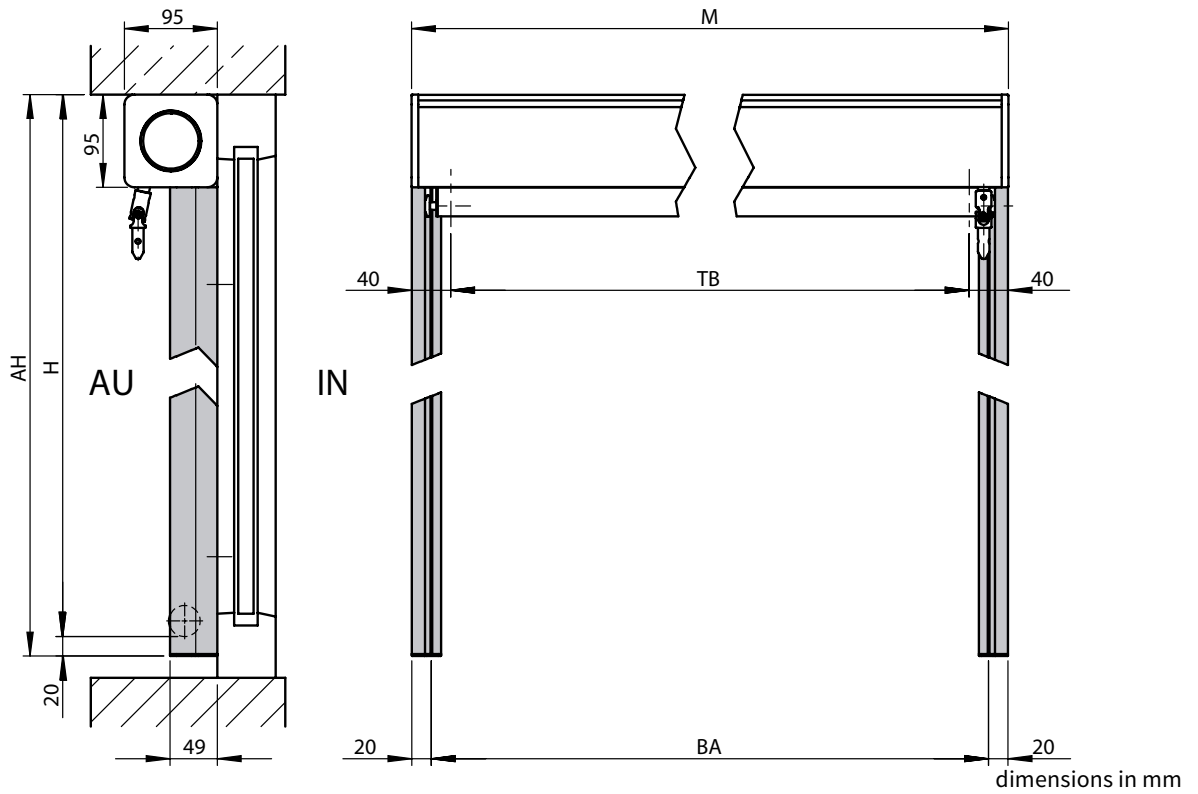
reducing bolt assembly M 10 → M 6 / SW 13
30 mm length
refer to the section "Technical Information"

753211.

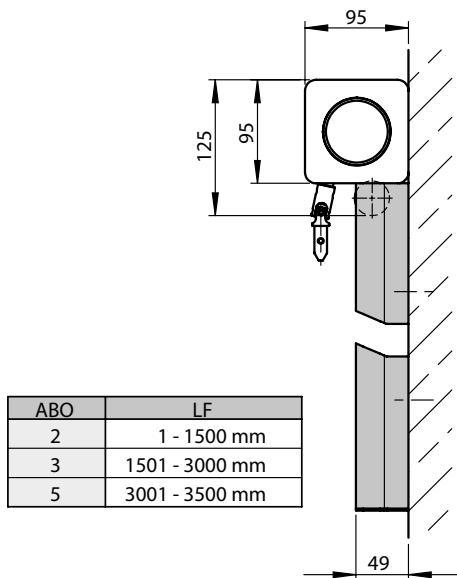
. = insert RAL colour code no.

Dimension overview and installation markilux 720

Dimension overview

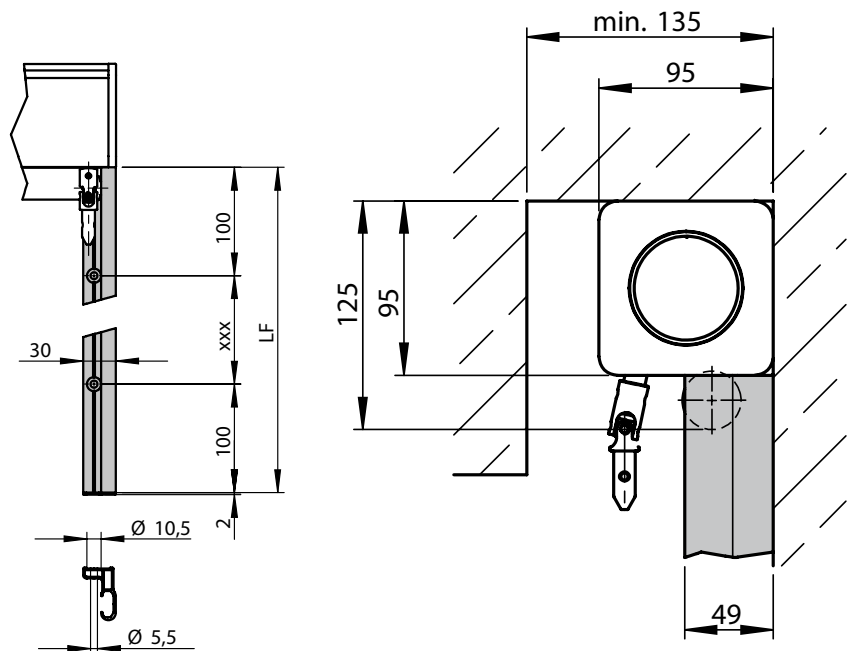


Face fixture



ABO	LF
2	1 - 1500 mm
3	1501 - 3000 mm
5	3001 - 3500 mm

Reveal fixture



dimensions in mm

AH = unit height

H = drop

AU = exterior

IN = interior

M = overall blind width

TB = cover width

BA = width between fixture points

ABO = number of drill holes

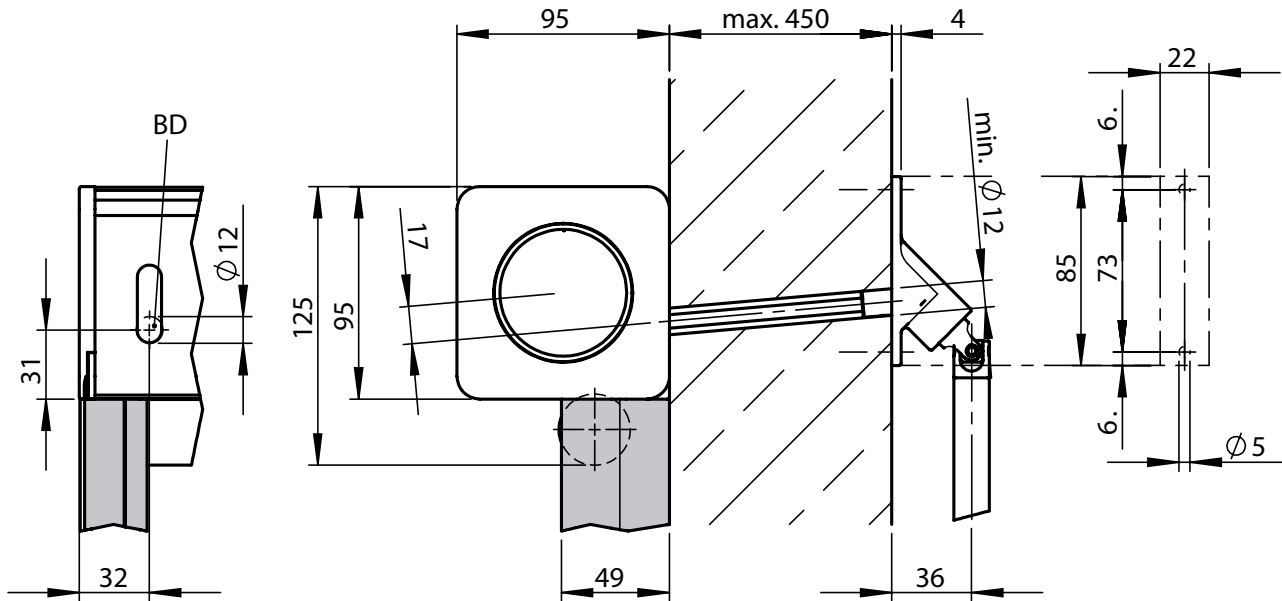
LF = length of guide rail

xxx = even drill hole distribution

- 01
- 02
- 03
- 04
- 05
- 06
- 07
- 08
- 09
- 10
- 11
- 12
- 13
- 14
- 15
- 16
- 17
- 18
- 19
- 20
- 21

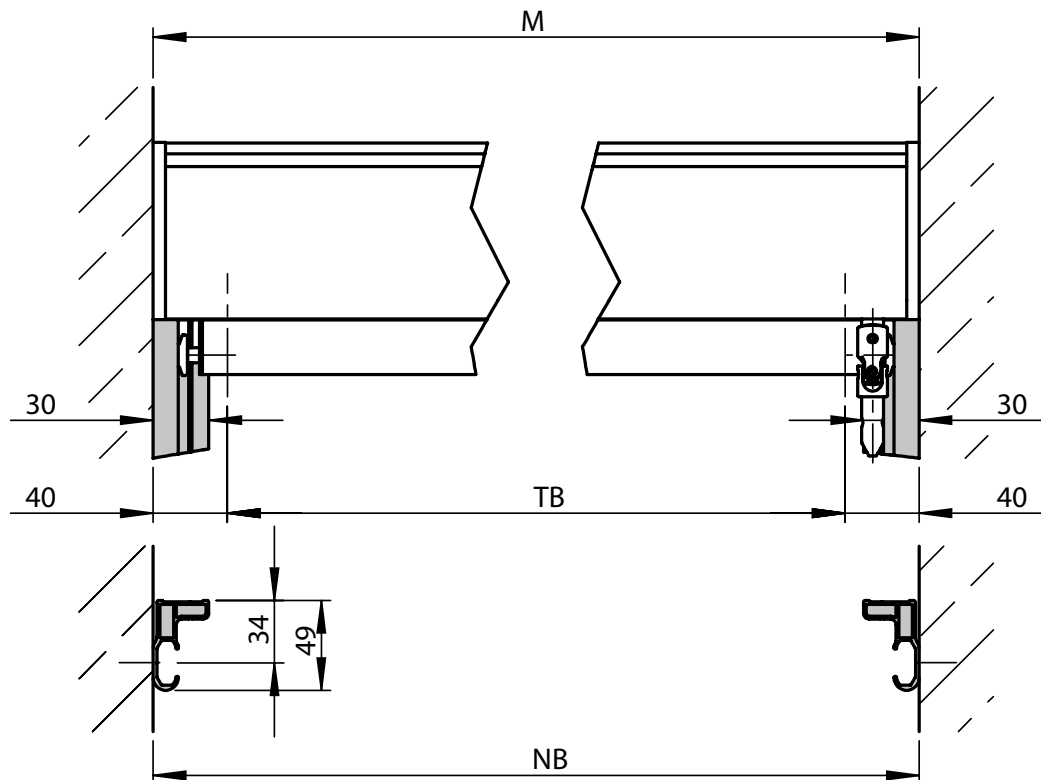
Installation markilux 720

Face fixture with interior operation



dimensions in mm

Reveal fixture in the case of gearbox / motor operation

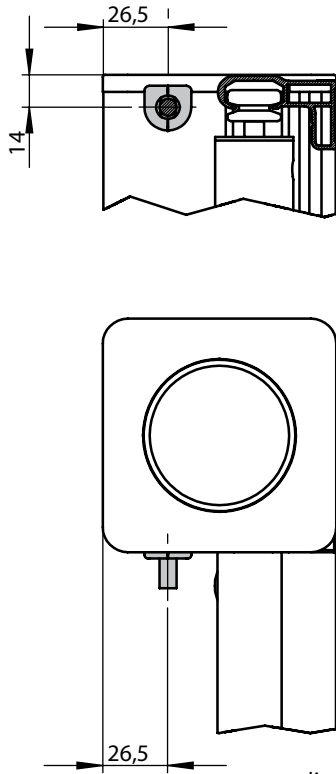


dimensions in mm

- M = overall blind width
- TB = cover width
- NB = reveal width
- BD = horizontal drill hole

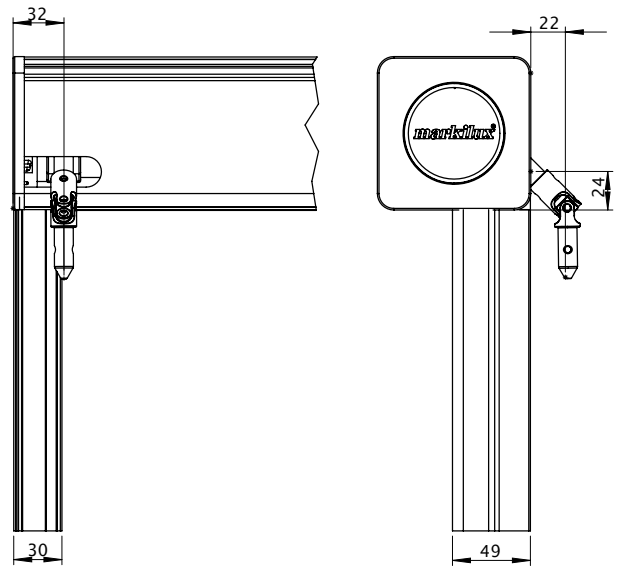
Installation markilux 720

Cable exit point in the case of motor-driven units



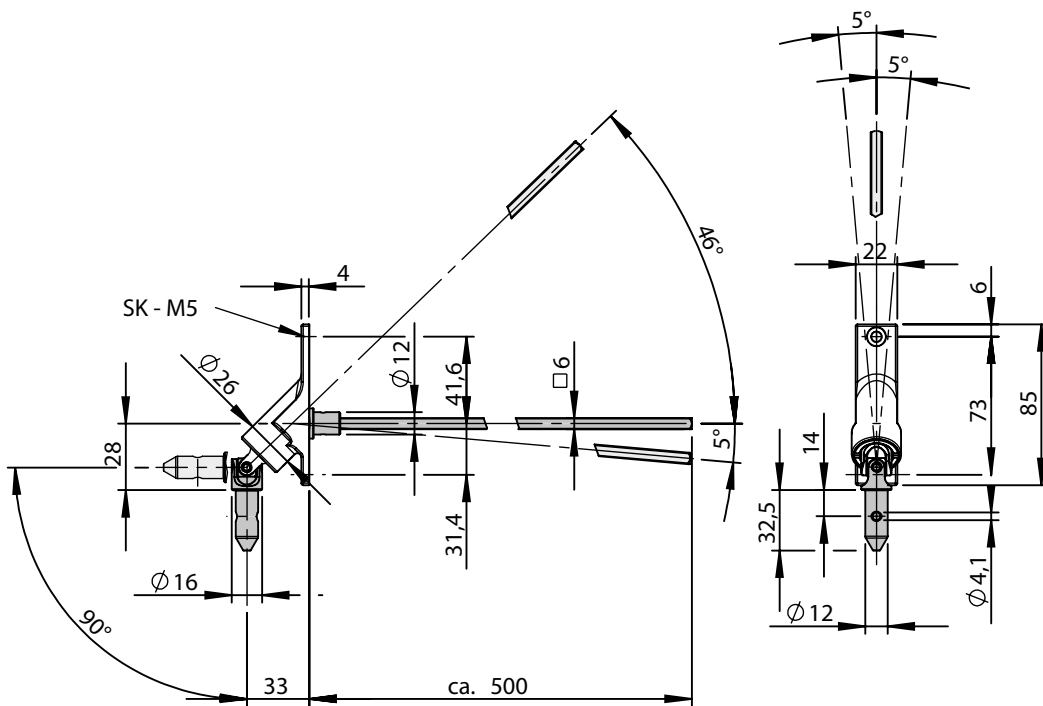
dimensions in mm

Operation from the rear



dimensions in mm

Winding handle for interior operation Ø 16 mm up to a vertical angle of 90° and a horizontal angle of 5°



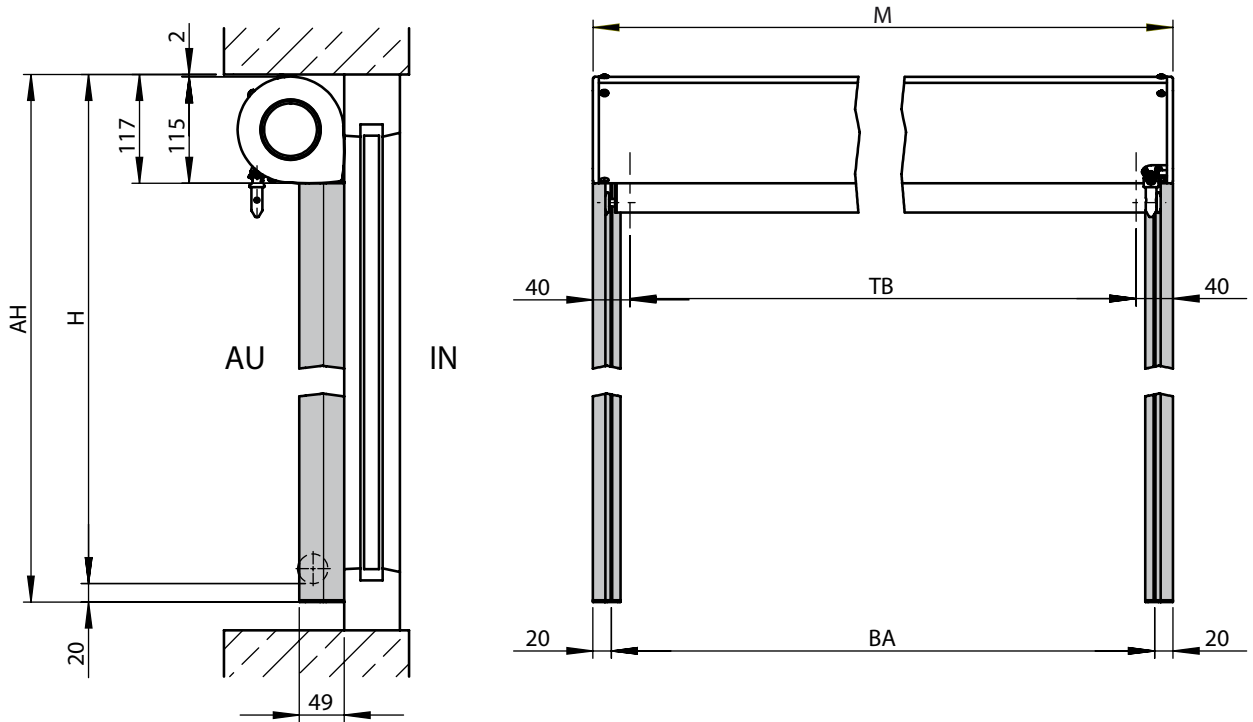
dimensions in mm

SK = chase out depth

- 01
- 02
- 03
- 04
- 05
- 06
- 07
- 08
- 09
- 10
- 11
- 12
- 13
- 14
- 15
- 16
- 17
- 18
- 19
- 20
- 21

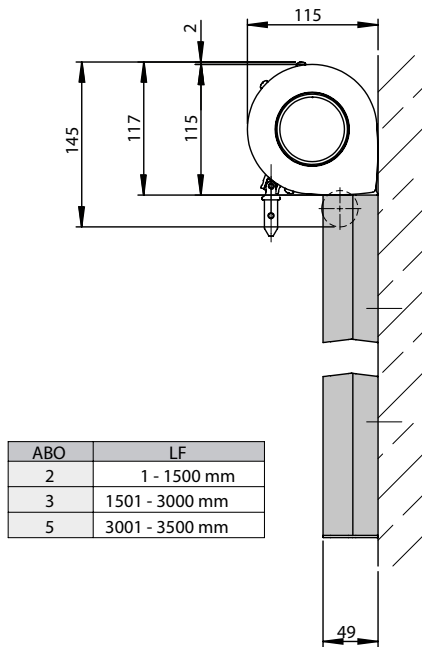
Overview of dimensions and installation markilux 820

Dimension overview

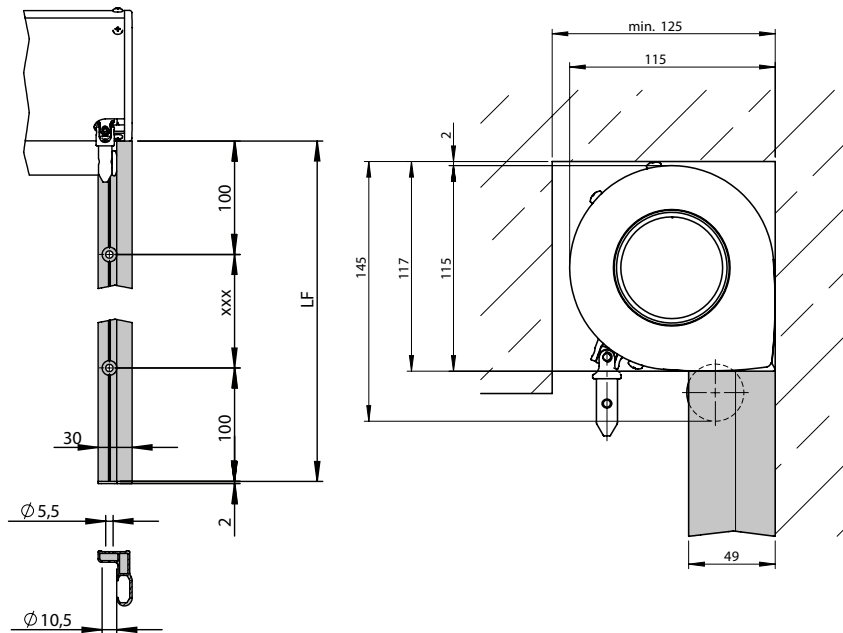


dimensions in mm

Face fixture



Top and reveal fixture



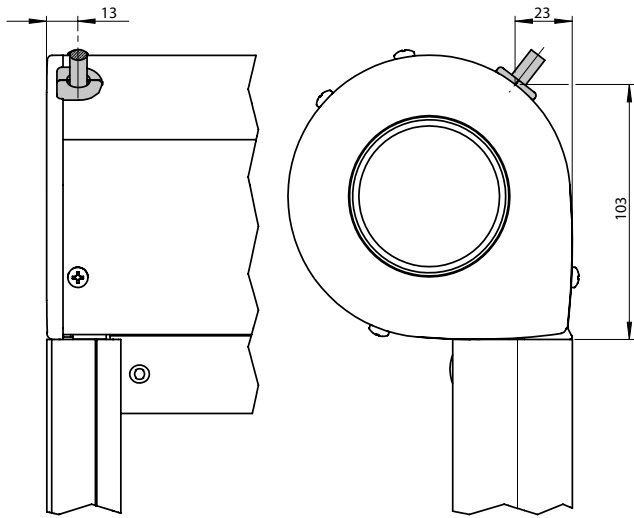
dimensions in mm

- AH = unit height
- H = drop
- AU = exterior
- IN = interior
- M = overall blind width

- TB = cover width
- BA = width between fixture points
- ABO = number of drill holes
- LF = length of guide rail
- xxx = even drill hole distribution

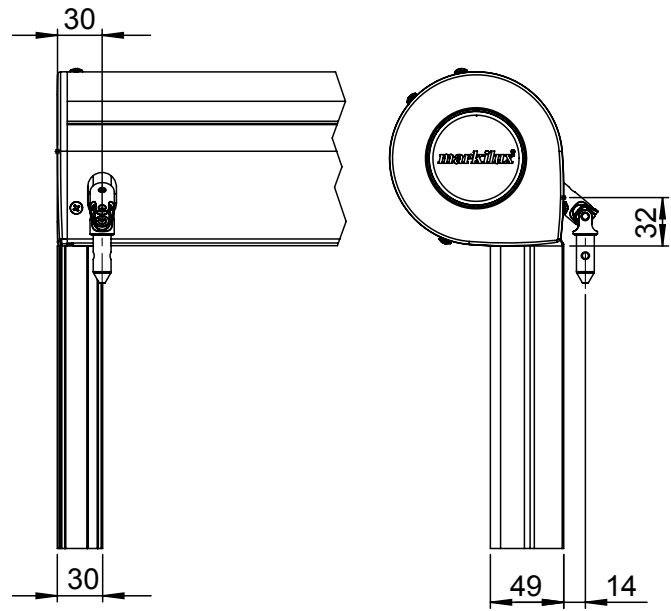
Installation markilux 820

Cable exit point in the case of motor-driven units



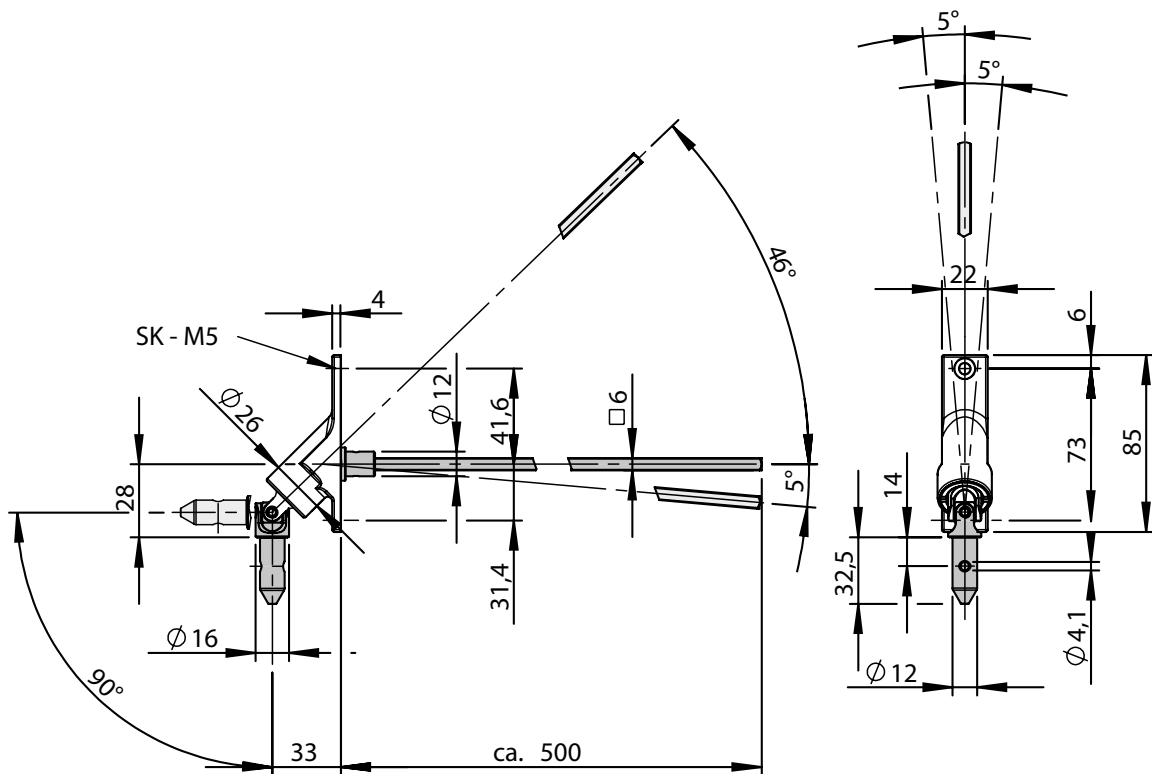
dimensions in mm

Operation from the rear



dimensions in mm

Winding handle for interior operation $\varnothing 16$ mm up to a vertical angle of 90° and a horizontal angle of 5°



dimensions in mm

SK = chase out depth