



markilux 660 tracfix

**Tensioned vertical cassette blind with tracfix system –
particularly stable in windy conditions – without cover gap –
optionally with fly screen**

**Rated to wind resistance class 3
according to EN 13561 corresponding
to Beaufort force 6.
Above and beyond the European
standard, the wind stability can be
guaranteed to Beaufort force 6.**



standard version with awning fabric – when fully open the guide tracks do not extend past the bottom profile



optionally with closed frame at the bottom, which simplifies installation in the case of face fixture



optionally with fly screen in a separate cassette which closes off the frame at the bottom

Design Features

vertical blind with closed tensioning system; ideal protection from the sun, wind and inquisitive glances

attractive, completely closed appearance with no annoying gap between the blind cover and guide tracks

compact, square and discreet, the cassette profile made of extruded aluminium is only 110 mm high and 95 mm deep

when retracted both the cover and the optional fly screen are protected from the weather by their cassettes, which enclose them completely

the fixing screws are hidden at the front by a second profile that is simply clipped on

no visible cover seam at the bottom profile

Technical Specification

with tracfix system – during extension the blind cover or fly screen is connected laterally to the guide rails

the blind cover is guided along sturdy aluminium guide tracks; the partly elastic interior track ensures optimum cover tension and noise minimisation in windy conditions

fitted with a hard-wired motor as standard

the combination of the closed tensioning system and special vario-belts ensure optimum cover tension

fixture of the guide tracks directly to the wall, the window frame or the reveal

when fully extended the tracks do not extend past the front profile

when fitted with a fly screen the frame is closed at the bottom

Optional Accessories

optionally fitted with a fly screen, which can be found in the integrated fabric cassette for the fly screen at the bottom

the tension in the fly screen is provided by an internal spring mechanism

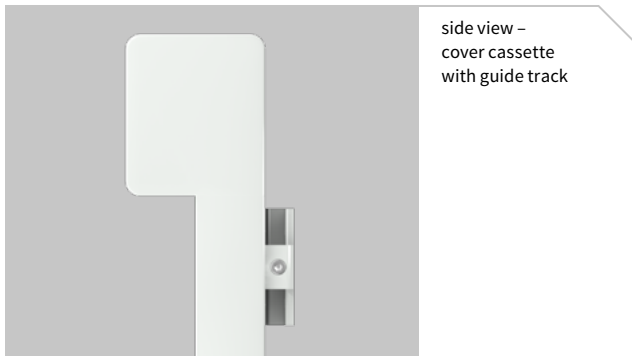
optionally the frame can be closed at the bottom with an additional end profile – in which case the front profile is equipped with a brush seal at the bottom

radio-controlled motor with radio remote control for ease of use

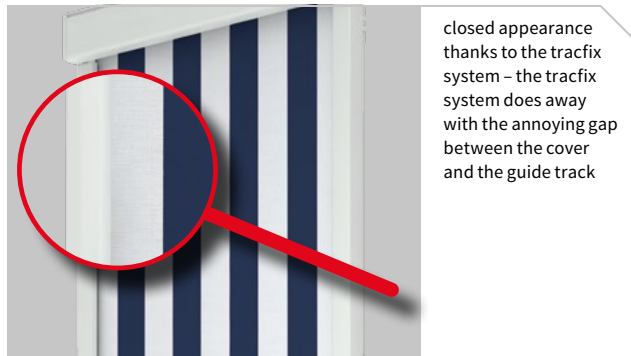
an easily installed, radio control light and wind sensor guarantees comfort and a degree of safety

awning available in non-standard RAL colours

- 01
- 02
- 03
- 04
- 05
- 06
- 07
- 08
- 09
- 10
- 11
- 12
- 13
- 14
- 15
- 16
- 17
- 18
- 19
- 20
- 21



side view – cover cassette with guide track



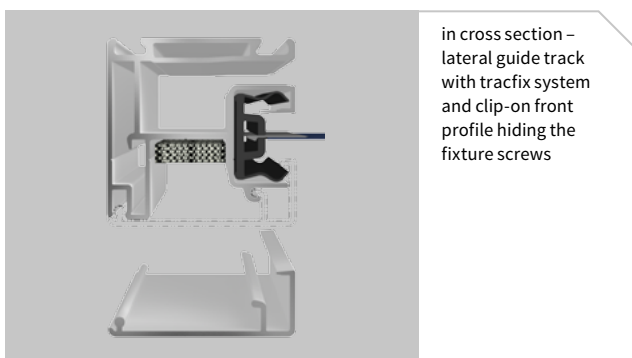
closed appearance thanks to the tracfix system – the tracfix system does away with the annoying gap between the cover and the guide track



blind extended with frame profile and brush seal to complete the frame (optional)



bottom profile with additional fly screen (optional)



in cross section – lateral guide track with tracfix system and clip-on front profile hiding the fixture screws



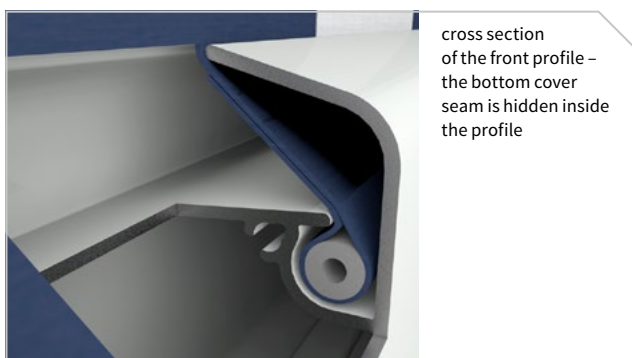
blind extended – cassette with fly screen (optional) as bottom profile of the frame



cross section – guide track with tracfix system and internal plastic profile guiding the cover



blind with insect screen attached (optional) – locked in place by means of a knurled head screw from inside the house

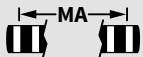
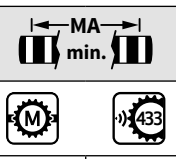





cross section of the front profile – the bottom cover seam is hidden inside the profile





blind with unconnected fly screen (optional)


Dimensions and configuration options

											
		75	100	125	165	205	245	285	300		
		59 75	76 100	101 125	126 165	166 205	206 246	246 285	286 300		
		+ 4.8							 		
	150 ¹⁾									59	74.5
	200										
	250										
	300										

1) smallest possible unit height 65 cm; smallest possible unit height with fly screen 75 cm

dimensions in cm

 =  optionally with fly screen

 = 

Operation / Drive unit





	standard	optional
hard-wired motor	<input checked="" type="checkbox"/>	—
radio-controlled motor (433 MHz)	—	<input checked="" type="checkbox"/>
io radio-controlled motor	—	<input checked="" type="checkbox"/>

Covers

	fabric range no.	standard	optional
sunsilk snc	324 xx / 328 xx / 369 xx	<input checked="" type="checkbox"/>	—
sunvas snc	310 xx / 311 xx 313 xx — 315 xx	<input checked="" type="checkbox"/>	—
sunsilk perla FR	374 xx	—	<input checked="" type="checkbox"/>
transolair	338 xx	—	<input checked="" type="checkbox"/>
vuscreen ALU	317 xx	—	<input checked="" type="checkbox"/> 2)
sunvas perla	370 xx	—	<input checked="" type="checkbox"/>

2) unit height max. 250 cm


Frame colours


		standard	optional
traffic white	RAL 9016		
metallic aluminium	RAL 9006		
grey brown, similar to	RAL 8019		
non-standard powder-coated finish			

Colours similar to those in the RAL chart. Colours may differ slightly from those depicted in both hue and finish.

Dimensions and tolerances


	width
housing tolerance	+ 5 / - 10 mm
blind cover width	on request
blind cover length	on request

 = hard-wired motor

 = radio-controlled motor (433 MHz)

MA = fixture width / order width

MA min. = minimum fixture width

 = with tracfix

AH = unit height

Miscellaneous

	standard	optional
tracfix	<input checked="" type="checkbox"/>	—
light and wind sensor	—	<input checked="" type="checkbox"/>
bottom profile to complete the frame	—	<input checked="" type="checkbox"/>
fly screen	—	<input checked="" type="checkbox"/>

Additional information

Fixture / order width definition: The order width is the blind fixture width i.e. the measurement from fixture point to fixture point. The overall width is larger than the fixture width. The tolerance in the width is +0 mm / -10 mm.

In the case of **motor operation** the blind will take approx. **15 seconds per metre to extend.**

N.B! If the **motor is used continuously** it will stop automatically after 3 to 4 minutes **to prevent overheating.**

In the case of a **bank of blinds operating simultaneously**, the same speed of rotation of the motors cannot be guaranteed because of the internal tolerances of the motors.

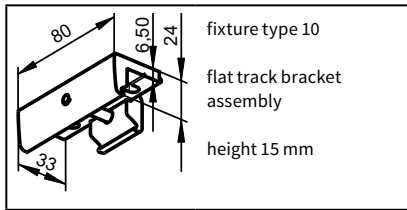
This model is only available as a single unit.

Depending on the size of the blind, deflection may be in evidence in individual profiles and sections of profile which is completely unavoidable. This affects neither the functionality nor the durability of the awning.

01
02
03
04
05
06
07
08
09
10
11
12
13
14
15
16
17
18
19
20
21

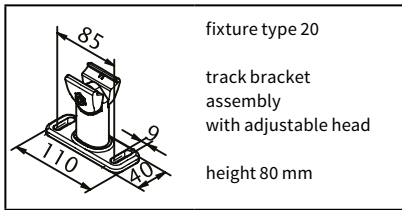
Fixtures, fittings and accessories

markilux 660 tracfix



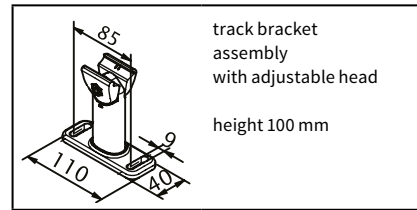
fixture type 10
flat track bracket
assembly
height 15 mm

78548.



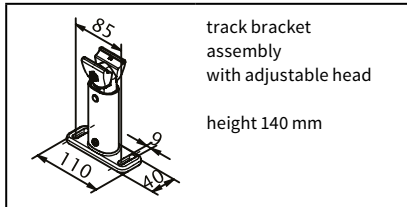
fixture type 20
track bracket
assembly
with adjustable head
height 80 mm

78451.



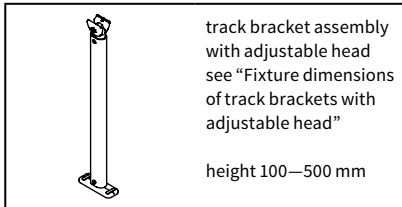
track bracket
assembly
with adjustable head
height 100 mm

78538.



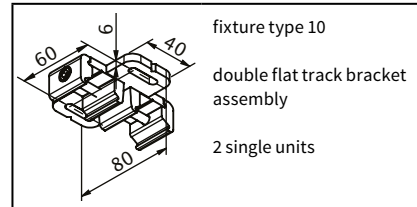
track bracket
assembly
with adjustable head
height 140 mm

78539.



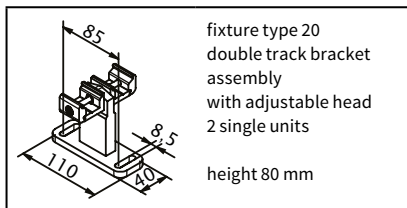
track bracket assembly
with adjustable head
see "Fixture dimensions
of track brackets with
adjustable head"
height 100–500 mm

78540.



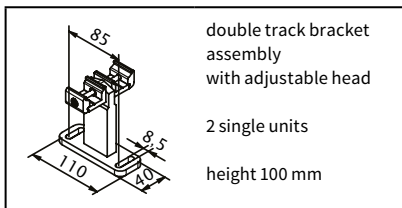
fixture type 10
double flat track bracket
assembly
2 single units

73101.



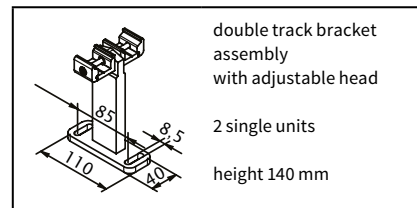
fixture type 20
double track bracket
assembly
with adjustable head
2 single units
height 80 mm

73102.



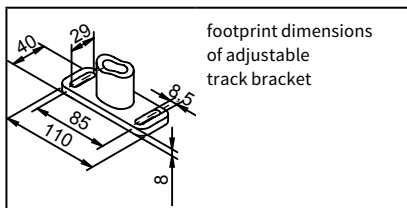
double track bracket
assembly
with adjustable head
2 single units
height 100 mm

73103.



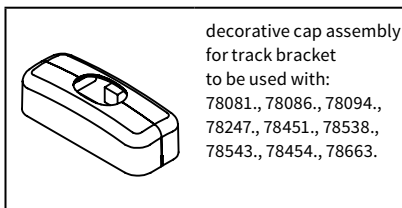
double track bracket
assembly
with adjustable head
2 single units
height 140 mm

73104.



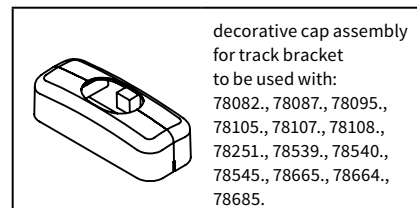
footprint dimensions
of adjustable
track bracket

753211



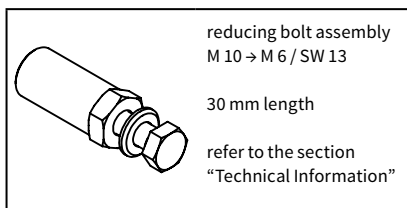
decorative cap assembly
for track bracket
to be used with:
78081., 78086., 78094.,
78247., 78451., 78538.,
78543., 78454., 78663.

76603.



decorative cap assembly
for track bracket
to be used with:
78082., 78087., 78095.,
78105., 78107., 78108.,
78251., 78539., 78540.,
78545., 78665., 78664.,
78685.

76604.



reducing bolt assembly
M 10 → M 6 / SW 13
30 mm length
refer to the section
"Technical Information"

The track fixture brackets for the markilux 660 tracfix are the same as those used for other markilux vertical blinds and awnings (the one exception being the track bracket for 2 single units). Constraints in the design mean that, in comparison with other markilux vertical blinds and awnings (without tracfix system), the track is 5 mm further away from the substrate, in this respect please see "Dimension overview markilux 660 tracfix".

. = insert RAL colour code no.

Fixture combinations / Fixture types

All brackets incur a surcharge

Fixture type

8

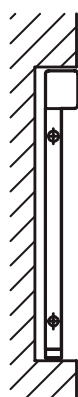


Face fixture

- number of drill holes per guide track
- 2 drill holes up to a unit height of 1200 mm
- 3 drill holes up to a unit height of 2200 mm
- 4 drill holes up to a unit height of 3000 mm

Fixture type

9

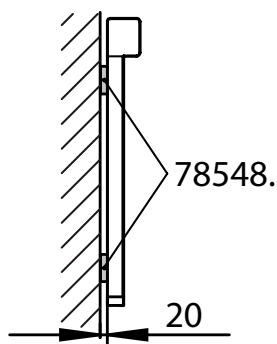


Lateral fixture in the reveal

- number of drill holes per guide track
- 2 drill holes up to a unit height of 1200 mm
- 3 drill holes up to a unit height of 2200 mm
- 4 drill holes up to a unit height of 3000 mm

Fixture type

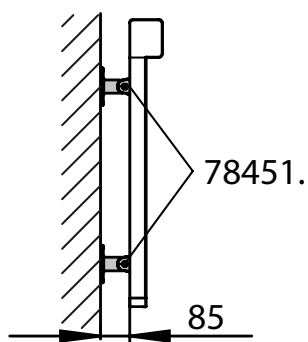
10



2 fixture brackets per guide track

Fixture type

20



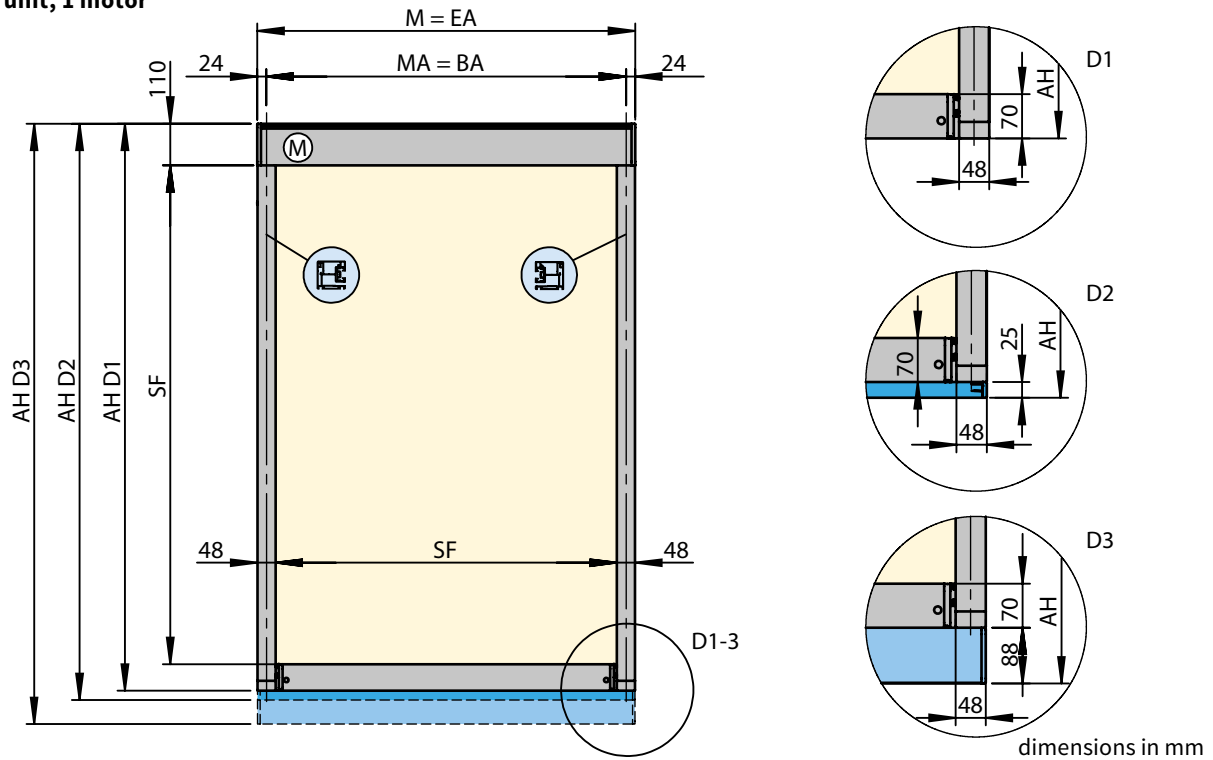
2 fixture brackets per guide track

Individual bracket combinations – see “Fixtures, fittings and accessories”.

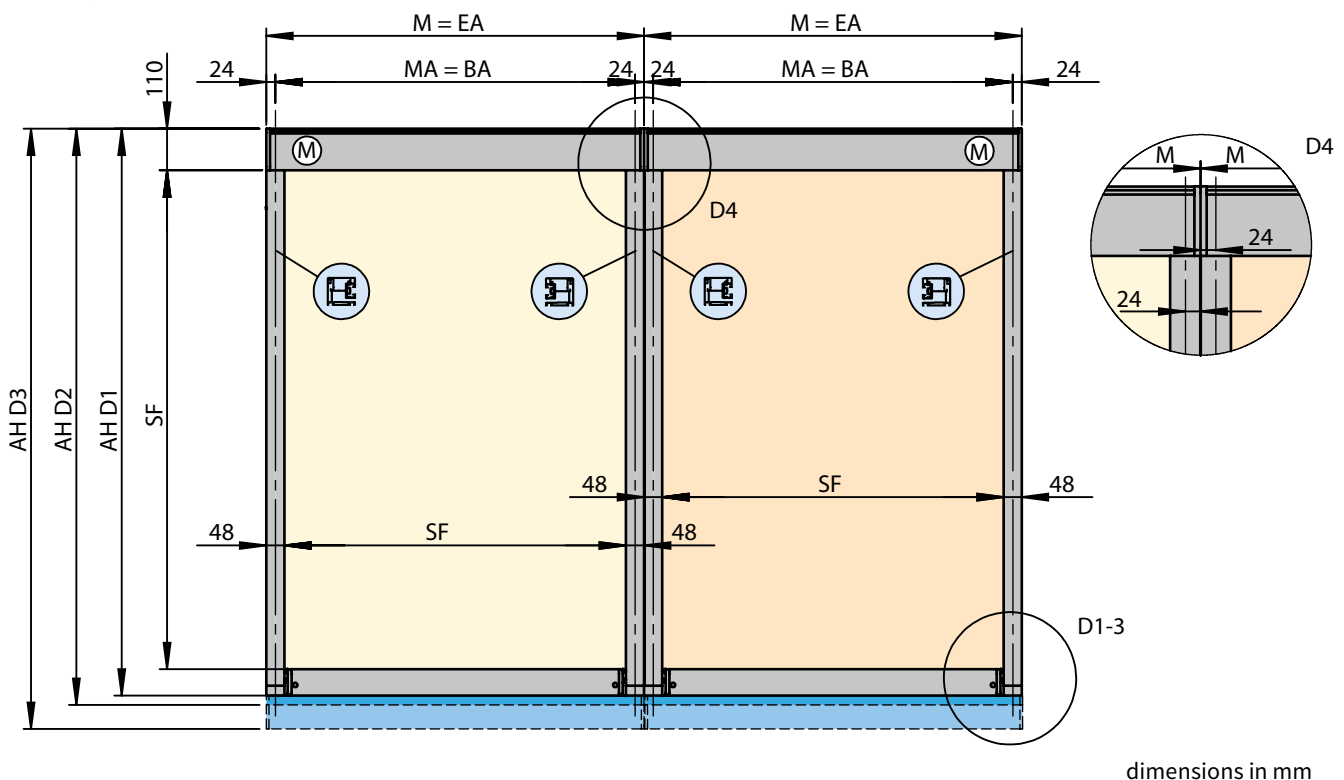
- 01
- 02
- 03
- 04
- 05
- 06
- 07
- 08
- 09
- 10**
- 11
- 12
- 13
- 14
- 15
- 16
- 17
- 18
- 19
- 20
- 21

Dimension overview markilux 660 tracfix

Single unit, 1 motor



2 single units, 2 motors



dimensions in mm

EA = single unit

M = overall blind width

MA = blind fixture width = distance between fixing points when using brackets (fixture combinations 10, 20)

BA = distance between fixing points when using brackets (fixture combinations 10, 20)

AH = unit height = order height

SF = visible cover area

Ⓜ = motor

D 1 = detail of the standard version

D 2 = detail of the version with optional bottom frame profile

D 3 = detail of version with optional fly screen

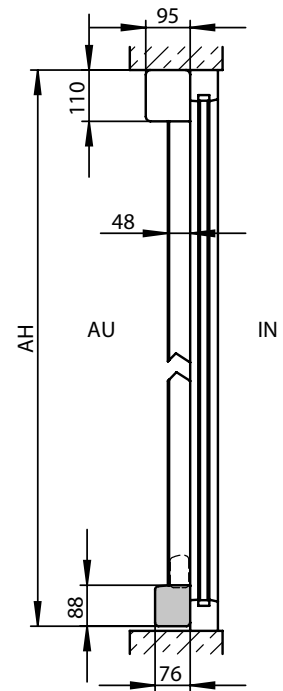
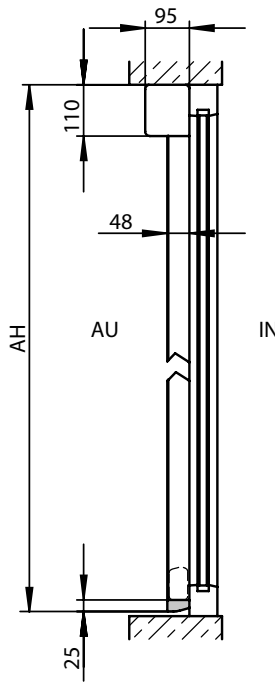
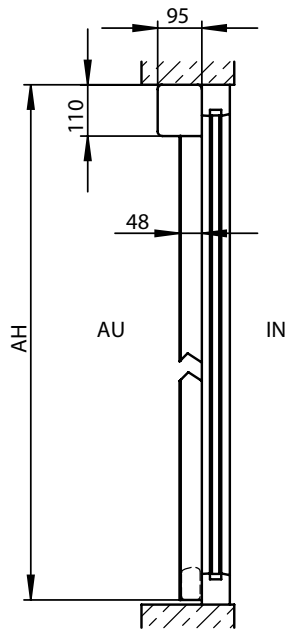
D 4 = detail of the dimensions at the contact point of 2 single units

Dimension overview markilux 660 tracfix

Standard

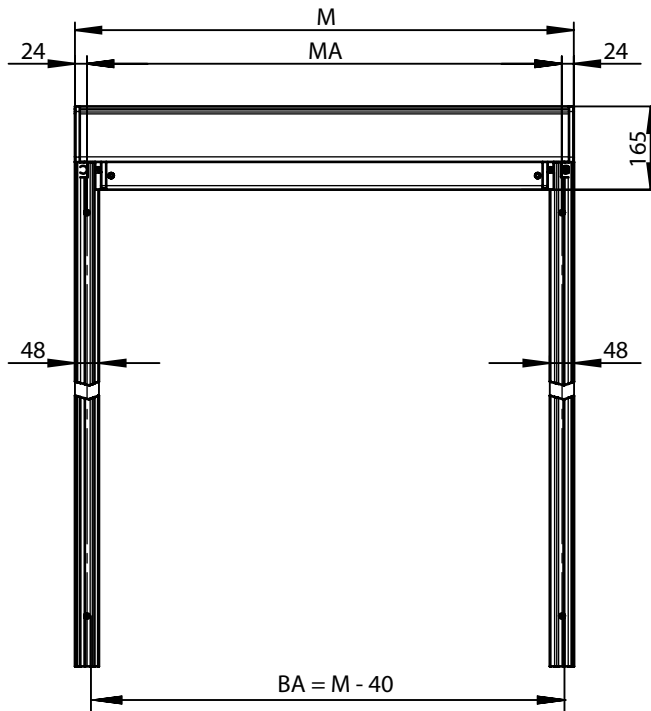
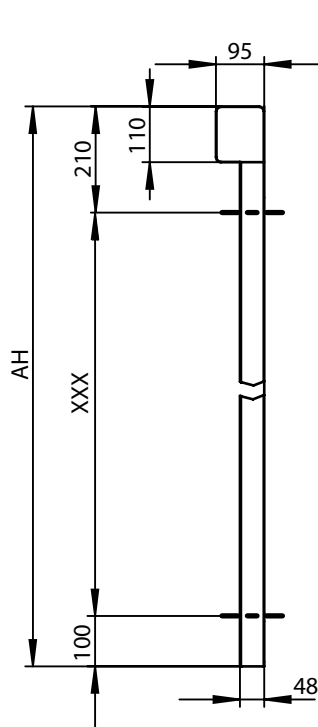
with completely sealed frame at the bottom (optional)

with fly screen (optional)



Fixture type 8 (face fixture)

dimensions in mm



dimensions in mm

AH = unit height = order height

M = overall blind width

AU = exterior

IN = interior

MA = blind fixture width / order width

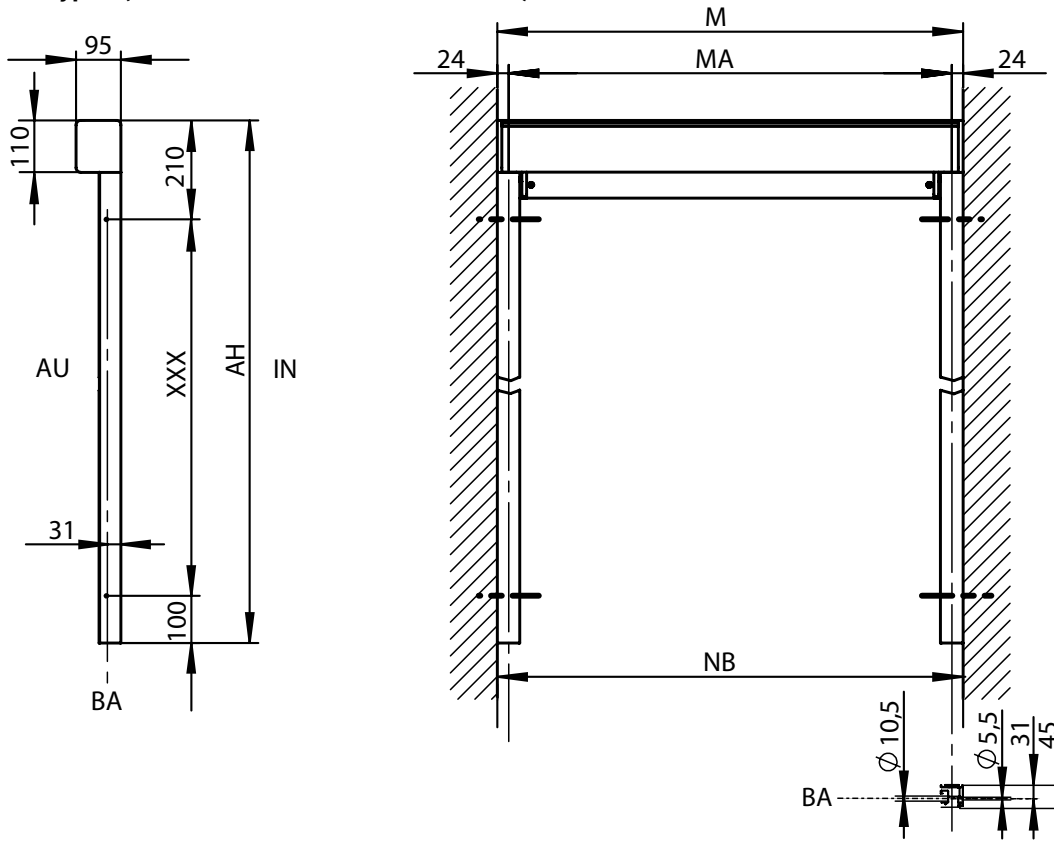
XXX = even drill hole distribution

FW = distance between fixing points when using fixture type 8 = overall blind width - 40 mm

01
02
03
04
05
06
07
08
09
10
11
12
13
14
15
16
17
18
19
20
21

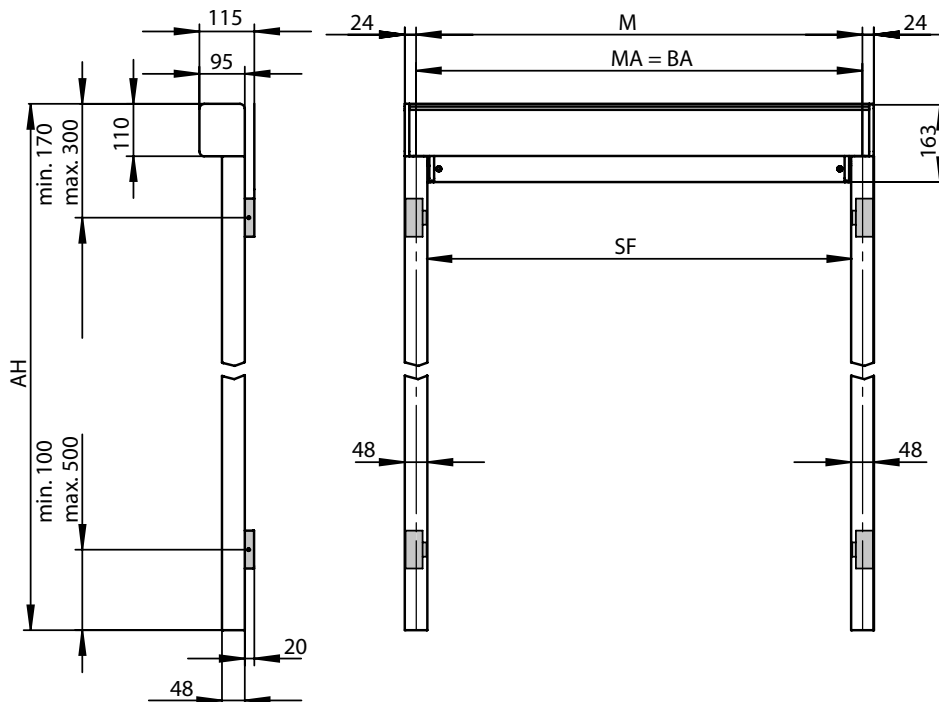
Dimension overview markilux 660 tracfix

Fixture type 9 (lateral fixture to the window reveal)



Fixture type 10 (2 fixture brackets per guide track)

dimensions in mm



dimensions in mm

M = overall blind width

MA = blind fixture width / order width

AH = unit height = order height

BA = width between fixture points

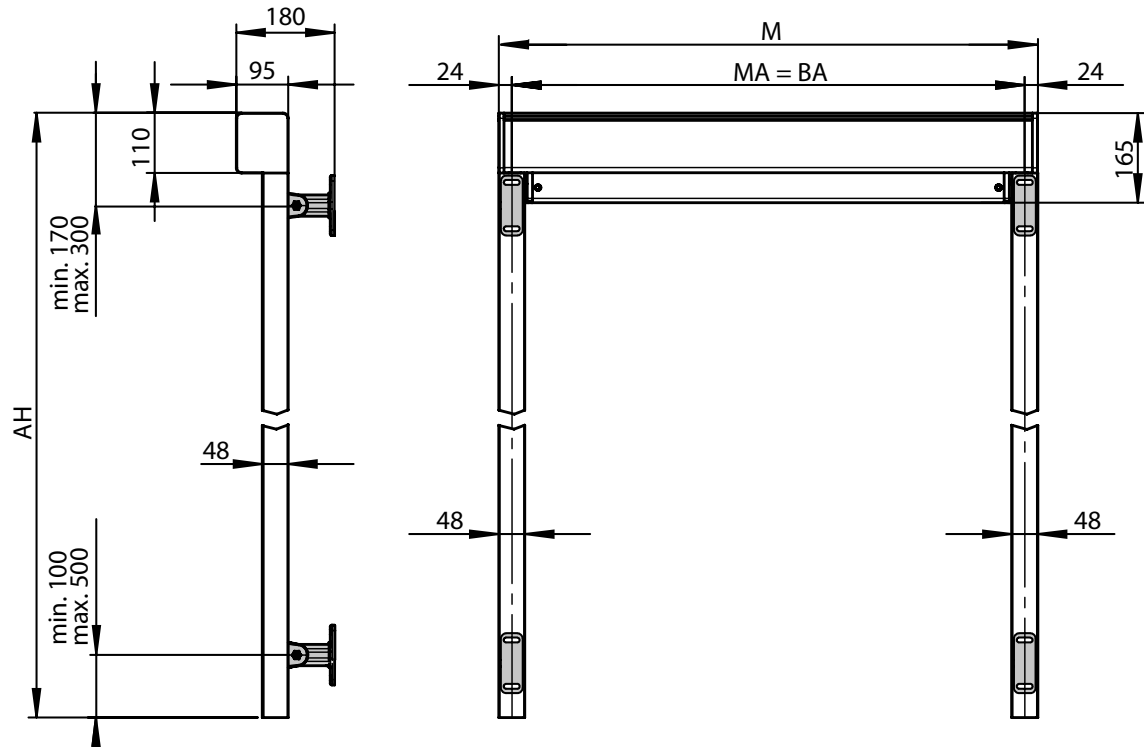
min. = minimum

max. = maximum

SF = visible cover area

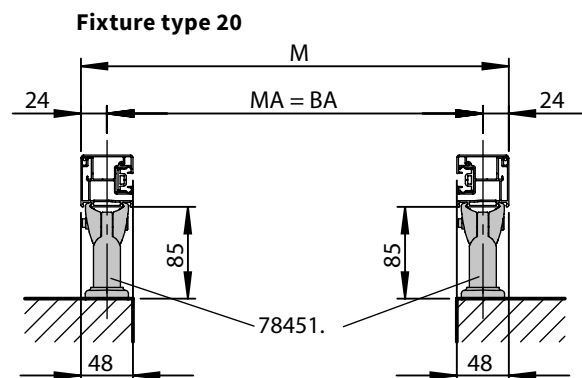
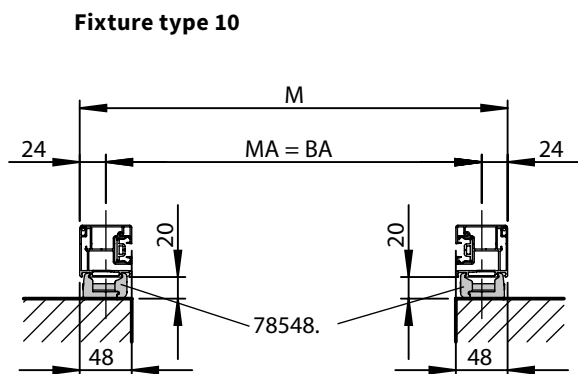
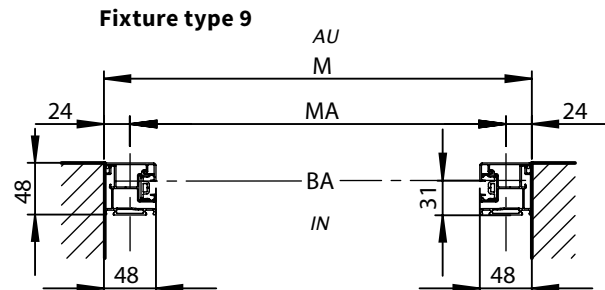
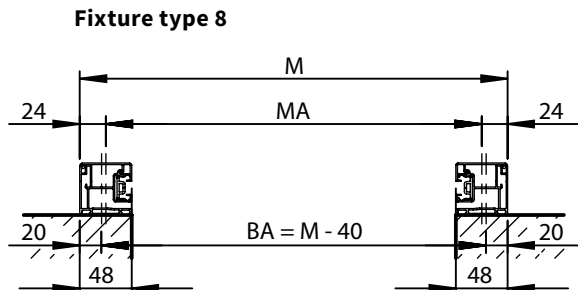
Dimension overview markilux 660 tracfix

Fixture type 20 (2 fixture brackets per guide track)



dimensions in mm

Cross section fixture types 8, 9, 10, 20



dimensions in mm

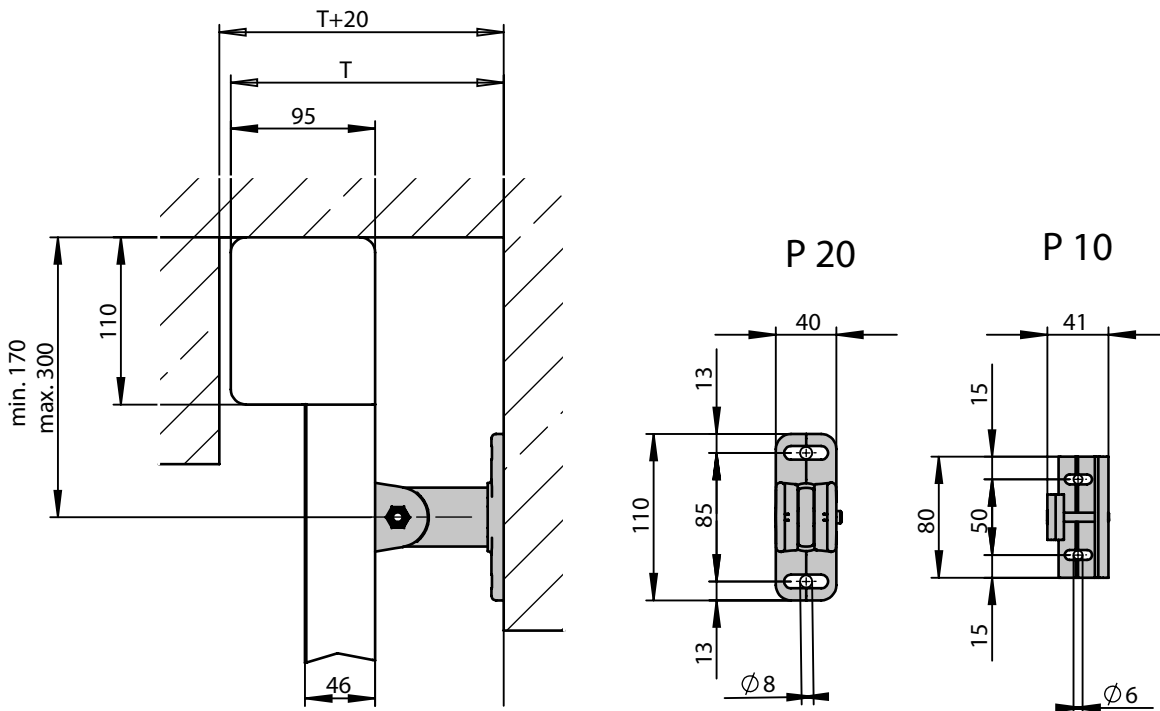
- M = overall blind width
- MA = blind fixture width = width between fixture points = order width
- BA = width between fixture points
- min. = minimum

- max. = maximum
- 78548. = flat track bracket
- 78451. = track bracket with adjustable head, 80 mm
- AU = exterior
- IN = interior

- 01
- 02
- 03
- 04
- 05
- 06
- 07
- 08
- 09
- 10
- 11
- 12
- 13
- 14
- 15
- 16
- 17
- 18
- 19
- 20
- 21

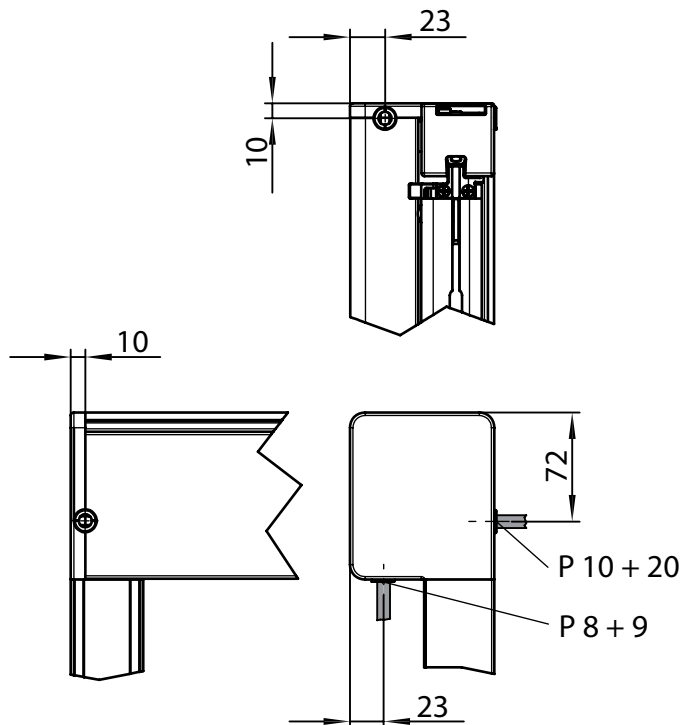
Dimension overview markilux 660 tracfix

Dimensions for reveal fixture of the cassette – bracket fixing dimensions



dimensions in mm

Cable exit point in the case of motor-driven units



dimensions in mm

T = depth 95 mm: fixture types 8 + 9, depth 115 mm: fixture type 10, depth 180 mm: fixture type 20

P = fixture type

78548. = flat track bracket

78451. = track bracket with adjustable head, 80 mm