



## markilux 6000

The cassette awning with excellent design characteristics –  
the innovative awning with a wealth of options

rated to wind resistance class 2  
(corresponds to Beaufort 5)





side view with awning retracted, face fixture



side view with awning retracted, top fixture



wall sealing profile (optional)



markilux spotlights in the front profile (optional)



shadeplus / drop valance retracted (optional)



shadeplus / drop valance integrated into the front profile (optional)



gutter with hidden water spouts



bionic tendon and cable conduit hidden in the arms

### Design Features

a top class full cassette awning in an appealing design. Presented with the Red Dot Design Award

the possibility of mixing and matching the colour of the cassette with that of the end cap trim and the end cap insert make the markilux 6000 a personally individual awning

for long-lasting beauty the cassette and frame are powder coated

the cover profile is in the same colour as the cassette; this gives the unit a closed appearance even when the awning is extended

elegant bracket cowling; design down to the last detail

### Technical Specification

when closed the folding arms are protected from the weather by the cassette

unique arm technology with power transference by way of the high tensile strength bionic tendon made of high-tech fibres, achieving at least 50,000 flexions in tests by the Fraunhofer Institute

front profile with integrated gutter and hidden water drainage spouts

the spring tensioners – which have been matched to the arm length – provide ideal cover tension

simple pitch adjustment via the bracket without the need to readjust the front profile

### Optional Accessories

the shadeplus creates an additional room on the patio. Protection from the sun, the wind and inquisitive glances all in one

radio-controlled motor with radio remote control for ease of use

hard-wired motor operation (optionally with automatic weather controls) for straightforward and easy operation

the lighting tastefully integrated into the front profile provides for a wonderful atmosphere on the patio

in the case of manual operation ease of use is ensured with the spring-assisted gearbox

awning available in non-standard RAL colours

awnings with 2 folding arms are available with the innovative silentec technology

### Lounge colours

off-white textured finish 5233



stone grey metallic 5215




Havana brown textured finish 5229




anthracite metallic 5204



### Design options using anthracite metallic



**Frame colour**  
anthracite metallic  
**End cap trim colour**  
anthracite metallic  
**End cap insert colour**  
anthracite metallic



**Frame colour**  
anthracite metallic  
**End cap trim colour**  
polished chrome  
**End cap insert colour**  
anthracite metallic



**Frame colour**  
anthracite metallic  
**End cap trim colour**  
polished chrome  
**End cap insert colour**  
stainless steel mesh

⋮

⋮

Colours may differ slightly from those depicted in both hue and finish.

- 01
- 02
- 03
- 04
- 05
- 06
- 07
- 08
- 09
- 10
- 11
- 12
- 13
- 14
- 15
- 16
- 17
- 18
- 19
- 20
- 21
- 22
- 23

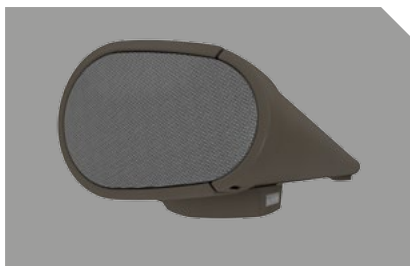
## Colours

traffic white

RAL 9016



end cap insert in stainless steel mesh



metallic aluminium

RAL 9006



end cap trim in polished chrome



### Frame colours

		standard	optional
traffic white	RAL 9016		
metallic aluminium	RAL 9006		
off-white textured finish	5233		
stone grey metallic	5215		
anthracite metallic	5204		
Havana brown textured finish	5229		
non-standard powder-coated finish			

### Additional end cap insert colours

	standard	optional
end cap insert in frame colour	<input checked="" type="checkbox"/>	
stainless steel mesh		

### Other end cap trim colour options

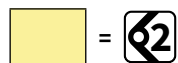
	standard	optional
end cap trim in frame colour	<input checked="" type="checkbox"/>	
polished chrome		

Colours similar to those in the RAL chart. Colours may differ slightly from those depicted in both hue and finish.

### Dimensions and configuration options

		250	300	350	400	450	500	550	600	650	700 2)					
		208 250	251 300	301 350	351 400	401 450	451 500	501 550	551 600	601 650	651 700					
	150	3)										221	208	650	221	208
	200	-	3)									271	258	650	271	258
	250	-	-	3)								321	308	650	321	308
	300	-	-	-	3)							371	358	650	371	358
	350	-	-	-	-	3)					2)	421	408	650	421	408
	400 1) 2)	-	-	-	-	-	3)				-	471	458	700	471	458

dimensions in cm



1) a shadeplus / drop valance is not possible  
3) please note the minimum widths!

2) awnings with 3 arms or a projection of 400 cm are only available with motor

4) Bei Ausfall 350 cm und Anlagenbreite 650 – 655 cm: Montage der Abdeckkappen für Decken- und Dachsparrenhalter ist nicht möglich

Due to the compact awning construction and depending on the width and the projection, contact between cover and folding arms may occur during extension and retraction. This does not have a detrimental effect on the functionality and/or durability of the awning.

#### Operation / Drive

	standard	optional
manual operation	<input checked="" type="checkbox"/>	-
servo-assisted operation	-	<input checked="" type="checkbox"/>
radio-controlled motor	-	<input checked="" type="checkbox"/>
io radio controls	-	<input checked="" type="checkbox"/>
silentec	-	<input checked="" type="checkbox"/> 4)
radio-controlled motor (433 MHz)	-	<input checked="" type="checkbox"/>

4) in the case of awnings with 2 folding arms

#### Coupled units

	standard	optional
2 fields	-	<input checked="" type="checkbox"/> 5)
3 fields	-	<input checked="" type="checkbox"/> 5)
junction roller	-	<input checked="" type="checkbox"/> 6)
one-piece cover	-	<input checked="" type="checkbox"/> 7)

5) minimum widths see „Technical Information“

6) see overview „Bracket fixture range“

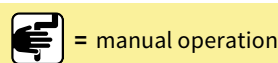
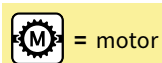
7) up to a maximum awning pitch of 15°,  
up to a maximum projection of 350 cm

#### Covers

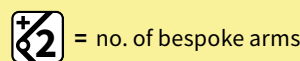
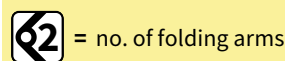
	fabric range no.	standard	optional
sun silk snc	324 .. / 328 .. / 369 ..	<input checked="" type="checkbox"/>	-
sun silk perla FR	374 ..	-	<input checked="" type="checkbox"/>
sun vas snc	310 .. / 311 .. 313 .. – 315 ..	<input checked="" type="checkbox"/>	-
sun vas perla	370 ..	-	<input checked="" type="checkbox"/>

#### Shadeplus / Drop valance

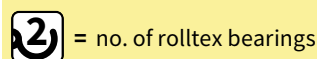
	standard	optional
manual operation	<input checked="" type="checkbox"/>	-
radio-controlled motor	-	<input checked="" type="checkbox"/>
433 MHz radio-controlled motor	-	<input checked="" type="checkbox"/>



M = awning width



M min. = minimum widths



H = projection

## Miscellaneous

	standard	optional
bionic tendon	☑	—
wall sealing profile	—	☑ <sup>1)</sup>
halogen spotlights	—	☑
insertable side blind	—	☑
light sensor and wind sensor	—	☑
valance	—	☑
infrared heater	—	☑
Vibrabox / Radio controlled light sensor Sunis WireFree	—	☑

1) up to a maximum awning pitch of 35°

## Dimensions and tolerances

	width	projection
housing tolerances	+5/-5 mm	±40 mm
awning cover width = awning width	-210 mm	
awning cover length = awning projection		+100 mm

## Additional Information

The width of the awning cover is always **less** than that of the awning. Please refer cover sizes in the case of coupled units and those with more than 2 arms to us.

**Awning pitch range:**

from 5° to 35° or 36° to 70° (to the horizontal).

**Definition of projection:**

Please consult the section „Technical Information“.

In the case of manual operation approximately **16 winding handle revolutions can be assumed per metre of awning projection.**

It takes approximately **12 seconds per metre** to extend the awning in the case of **motor-driven units.**

**Definition of shadeplus drop:** The shadeplus drop is measured from the bottom edge of the Shadeplus profile to the bottom edge of the valance profile. Due to fabric thickness tolerances the actual drop may be shorter than the nominal drop by up to 5 cm.

A shadeplus is not available with sunsilk perla FR, sunvas perla or PVC covers.

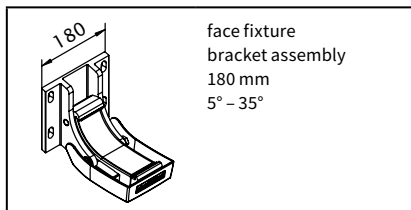
**Coupled folding-arm awnings** are available up to a **max. of 3 single units side by side**, however only with a **maximum of 6 folding arms** and **only operated by motor.**

A coupled unit is available with **junction roller**. Pattern repeat mismatches are possible in the case of junction roller covers. A junction roller may not fit when the projection is the maximum for the width of each awning. (see also the section on „Installation“, the arm separation table).

If coupled awnings are fitted into a **recess** or **reveal** the overall width of the coupled awning must be at least 6 cm less than the width of the opening to allow the awning to be coupled.

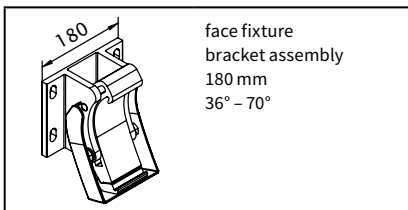
Except for the shadeplus, radio control motors are available in io technology – see the section „Optional Accessories“.

Fixtures, fittings and accessories



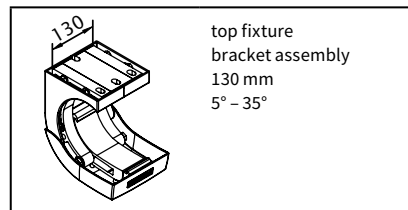
face fixture  
bracket assembly  
180 mm  
5° - 35°

74909.



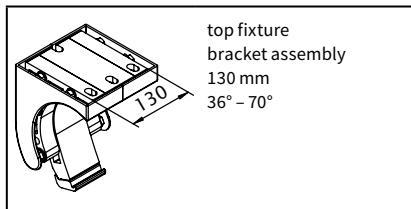
face fixture  
bracket assembly  
180 mm  
36° - 70°

74928.



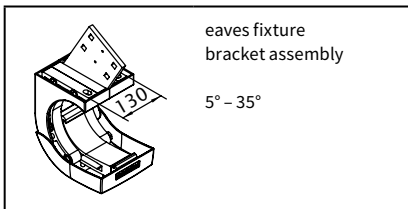
top fixture  
bracket assembly  
130 mm  
5° - 35°

74903.



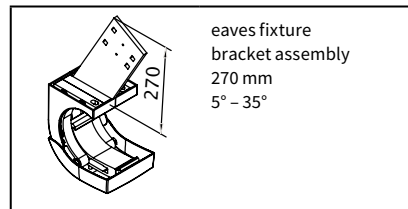
top fixture  
bracket assembly  
130 mm  
36° - 70°

74905.



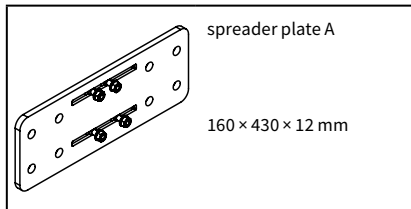
eaves fixture  
bracket assembly  
5° - 35°

74944.



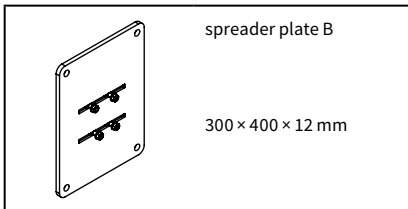
eaves fixture  
bracket assembly  
270 mm  
5° - 35°

74970.



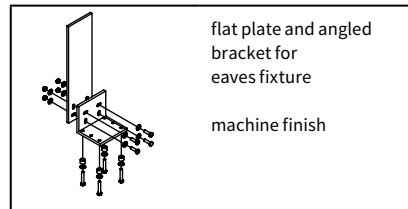
spreader plate A  
160 x 430 x 12 mm

75328.



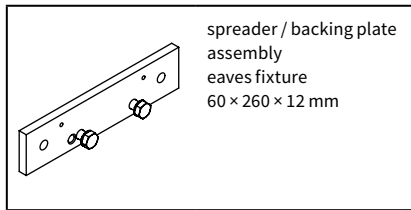
spreader plate B  
300 x 400 x 12 mm

75327.



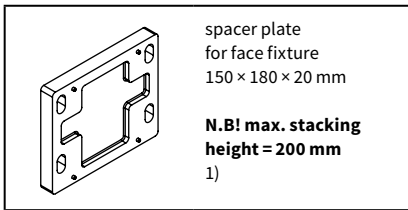
flat plate and angled  
bracket for  
eaves fixture  
machine finish

741290



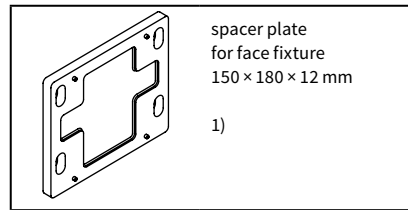
spreader / backing plate  
assembly  
eaves fixture  
60 x 260 x 12 mm

75383.



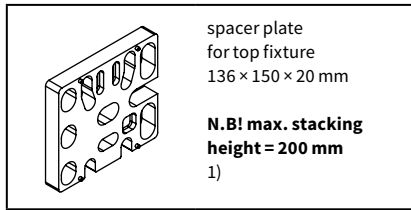
spacer plate  
for face fixture  
150 x 180 x 20 mm  
**N.B! max. stacking  
height = 200 mm**  
1)

749881



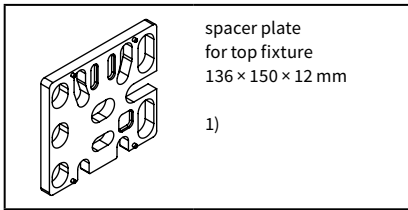
spacer plate  
for face fixture  
150 x 180 x 12 mm  
1)

74989.



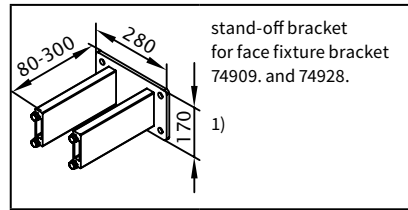
spacer plate  
for top fixture  
136 x 150 x 20 mm  
**N.B! max. stacking  
height = 200 mm**  
1)

716331



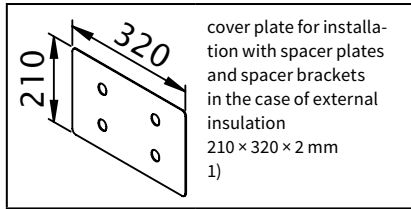
spacer plate  
for top fixture  
136 x 150 x 12 mm  
1)

71644.



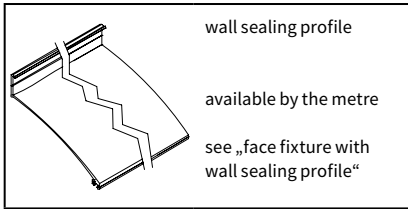
stand-off bracket  
for face fixture bracket  
74909. and 74928.  
1)

77970.



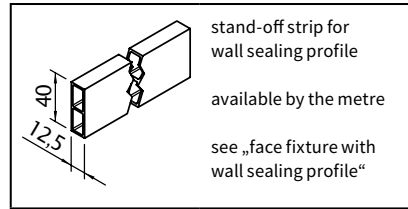
cover plate for installa-  
tion with spacer plates  
and spacer brackets  
in the case of external  
insulation  
210 x 320 x 2 mm  
1)

71842.



wall sealing profile  
available by the metre  
see „face fixture with  
wall sealing profile“

77780.



stand-off strip for  
wall sealing profile  
available by the metre  
see „face fixture with  
wall sealing profile“

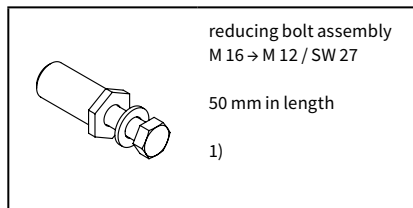
751971

1) please refer to the section „Technical Information“

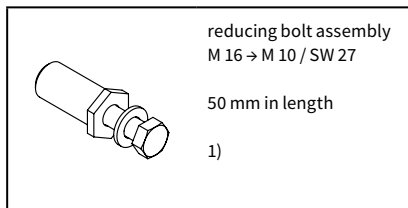
. = insert RAL colour code no.

01  
02  
03  
04  
05  
06  
07  
08  
09  
10  
11  
12  
13  
14  
15  
16  
17  
18  
19  
20  
21  
22  
23

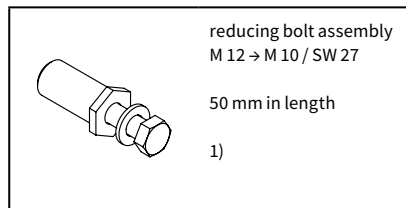
## Fixtures, fittings and accessories



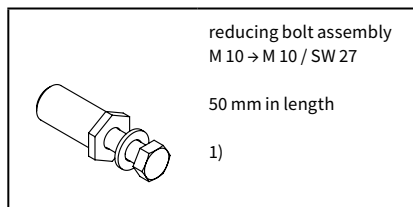
**753891**



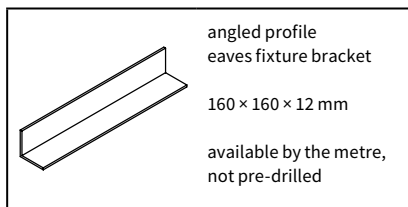
**754921**



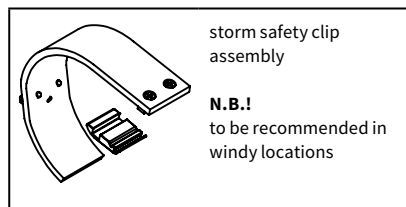
**754911**



**754901**



**701809**



**79504.**

1) please refer to the section „Technical Information“

. = insert RAL colour code no.



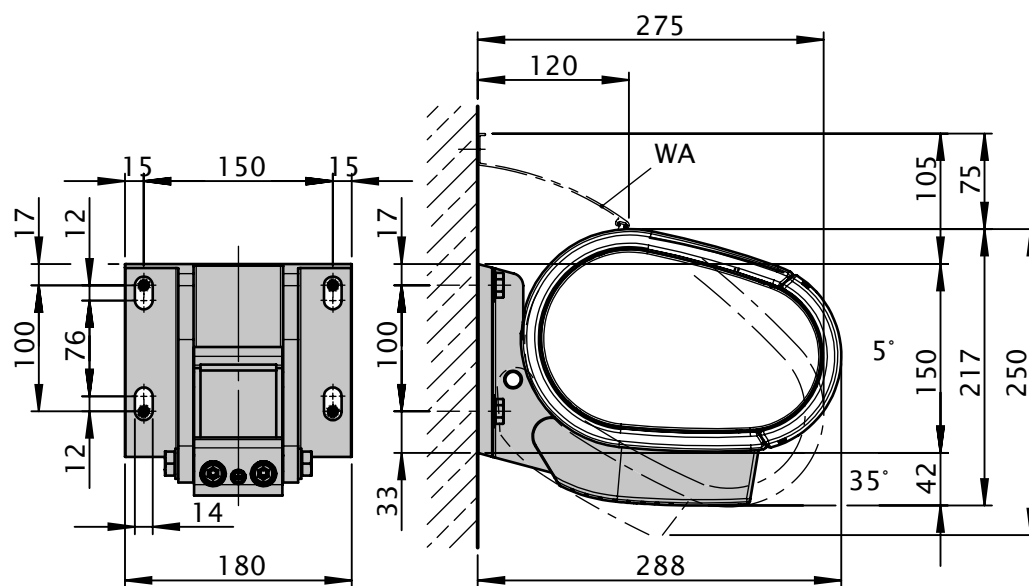
### Face fixture

Pull-out force [N=Newton] per upper fixing point according to EN 13561, wind resistance class 2

Compression-proof substrate											Non compression-proof substrate										
M [cm]											M [cm]										
H [cm]											H [cm]										
FB [N]											FB [N]										
250	300	350	400	450	500	550	600	650	700		250	300	350	400	450	500	550	600	650	700	
150	462	531	601	671	740	810	879	949	1018	887	568	654	739	825	910	996	1081	1167	1253	1091	
200	—	857	965	1074	1183	1291	1400	1508	1617	1462	—	1054	1187	1321	1454	1588	1722	1855	1989	1798	
250	—	—	1385	1541	1696	1852	2007	2162	2597	2402	—	—	1704	1895	2086	2277	2469	2660	3194	2955	
300	—	—	—	2056	2266	2476	3025	3267	3509	3286	—	—	—	2529	2787	3046	3720	4018	4316	4041	
350	—	—	—	—	3022	3711	4028	4344	4167	4463	—	—	—	—	3717	4565	4954	5343	5125	5490	
400	—	—	—	—	—	4649	5049	5449	—	5537	—	—	—	—	—	5719	6211	6703	—	6810	
HT   BHT	2   180 mm			3   180 mm			4   180 mm				2   180 mm			3   180 mm			4   180 mm				
BM	8			12			16				8			12			16				

The pull-out force refers to the vertical centre to centre measurement between the fixture points of **100 mm**. If this measurement is reduced, the pull-out force increases by **11%** in the case of **compression-proof substrates** and by **32%** in the case of **non compression-proof substrates**.

- M = awning width
- H = projection
- FB = pull-out force per fixing point
- HT | BHT = bracket quantity | width
- BM = no. of fixing points
- WA = wall sealing profile



dimensions in mm

### Face fixture with spreader plate A

Pull-out force [N=Newton] per upper fixing point according to EN 13561, wind resistance class 2

**Compression-proof substrate**  
M [cm]

H [cm]	FB [N]									
	250	300	350	400	450	500	550	600	650	700
150	266	306	346	386	427	467	507	547	587	483
200	-	493	555	617	680	742	805	867	929	787
250	-	-	795	884	973	1063	1152	1241	1490	1299
300	-	-	-	1179	1299	1420	1734	1873	2012	1780
350	-	-	-	-	1731	2126	2307	2488	2232	2400
400	-	-	-	-	-	2662	2890	3119	-	2983

**Non compression-proof substrate**  
M [cm]

H [cm]	FB [N]									
	250	300	350	400	450	500	550	600	650	700
150	378	435	492	549	606	663	720	777	834	686
200	-	700	789	877	966	1055	1143	1232	1321	1119
250	-	-	1130	1257	1383	1510	1637	1763	2118	1846
300	-	-	-	1675	1846	2017	2464	2661	2858	2530
350	-	-	-	-	2460	3021	3279	3536	3171	3411
400	-	-	-	-	-	3782	4108	4433	-	4240

HT   BHT	2   180 mm	3   180 mm	4   180 mm
BP	2	2	3
DP	-	1	1
BM	16	20	28

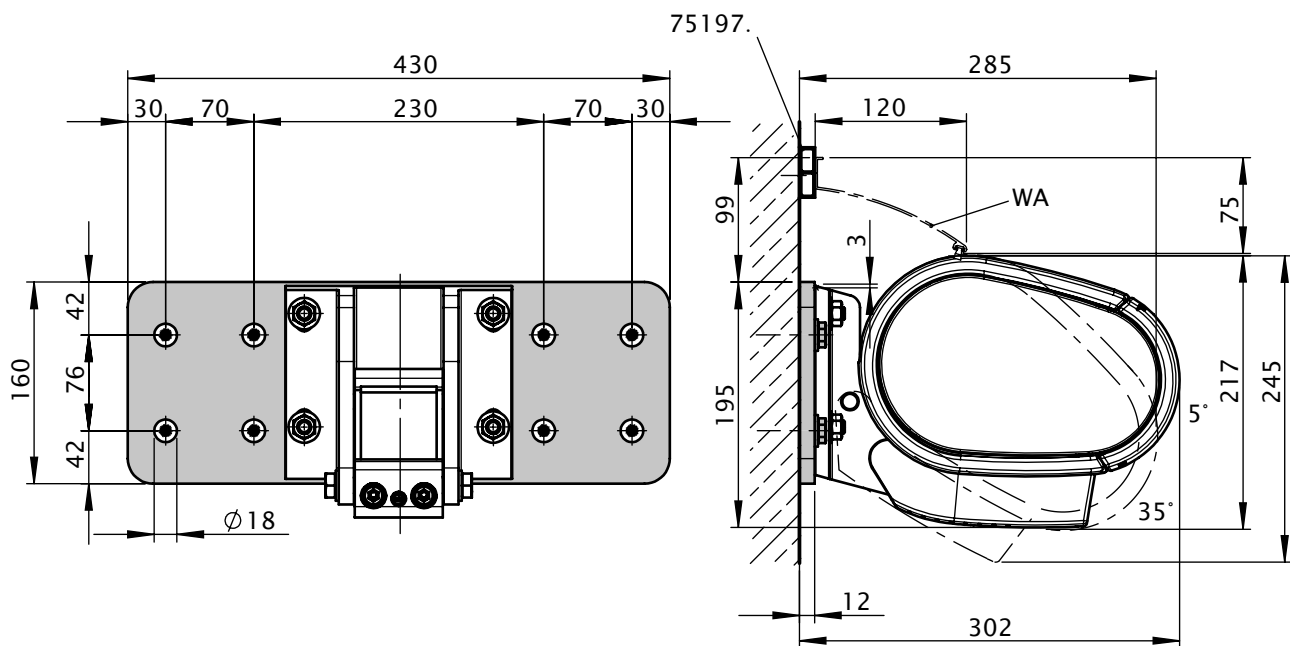
HT   BHT	2   180 mm	3   180 mm	4   180 mm
BP	2	2	3
DP	-	1	1
BM	16	20	28

HT   BHT	2   180 mm	3   180 mm	4   180 mm
BP	2	2	3
DP	-	1	1
BM	16	20	28

HT   BHT	2   180 mm	3   180 mm	4   180 mm
BP	2	2	3
DP	-	1	1
BM	16	20	28

The pull-out force refers to the vertical centre to centre measurement between the fixing points of **76 mm**. In the case of spreader plates a washer conforming to DIN 9021 must be used.

- M = awning width
- H = projection
- FB = pull-out force per fixing point
- HT | BHT = bracket quantity | width
- BP = no. of spreader plates
- DP = no. of spacer plates
- BM = no. of fixing points
- WA = wall sealing profile
- 75197. = stand-off strip for wall sealing profile



dimensions in mm

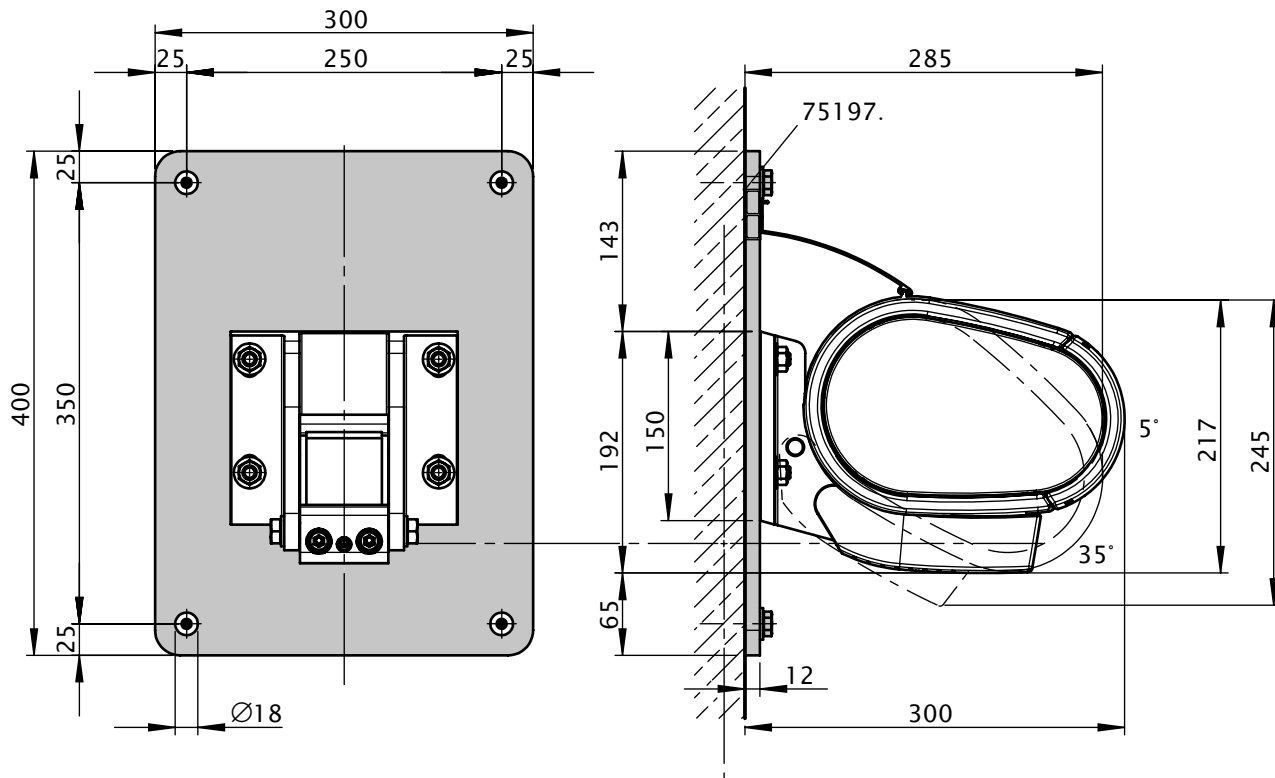
### Face fixture with spreader plate B

Pull-out force [N=Newton] per upper fixing point according to EN 13561, wind resistance class 2

Compression-proof substrate											Non compression-proof substrate										
M [cm]											M [cm]										
H [cm]											H [cm]										
FB [N]											FB [N]										
250	300	350	400	450	500	550	600	650	700		250	300	350	400	450	500	550	600	650	700	
150	158	181	205	229	252	276	300	324	347	286	150	164	189	214	238	263	288	313	337	362	298
200	-	292	328	365	402	439	439	476	513	466	200	-	304	343	381	420	458	496	535	573	486
250	-	-	471	523	576	629	682	734	882	769	250	-	-	491	546	601	656	711	766	920	802
300	-	-	-	698	769	840	1026	1108	1190	1054	300	-	-	-	727	802	876	1070	1156	1241	1099
350	-	-	-	-	1024	1258	1365	1472	1321	1420	350	-	-	-	-	1068	1312	1424	1536	1377	1481
400	-	-	-	-	-	1575	1711	1846	-	1766	400	-	-	-	-	-	1643	1784	1925	-	1841
HT   BHT	2   180 mm			3   180 mm			4   180 mm				HT   BHT	2   180 mm			3   180 mm			4   180 mm			
BP	2			2			3				BP	2			2			3			
DP	-			1			1				DP	-			1			1			
BM	8			12			16				BM	8			12			16			

The pull-out force refers to the vertical centre to centre measurement between the fixing points of 350 mm. In the case of spreader plates a washer conforming to DIN 9021 must be used.

- M = awning width
- H = projection
- FB = pull-out force per fixing point
- HT | BHT = bracket quantity | width
- BP = no. of spreader plates
- DP = no. of spacer plates
- BM = no. of fixing points
- 75197. = stand-off strip for wall sealing profile



dimensions in mm

- 01
- 02
- 03
- 04
- 05
- 06
- 07
- 08
- 09
- 10
- 11
- 12
- 13
- 14
- 15
- 16
- 17
- 18
- 19
- 20
- 21
- 22
- 23

### Face fixture with stand-off brackets

Pull-out force [N=Newton] per upper fixing point according to EN 13561, wind resistance class 2

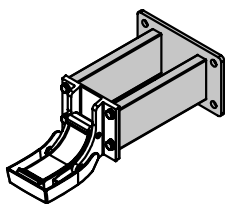
**Compression-proof substrate**  
M [cm]

**Non compression-proof substrate**  
M [cm]

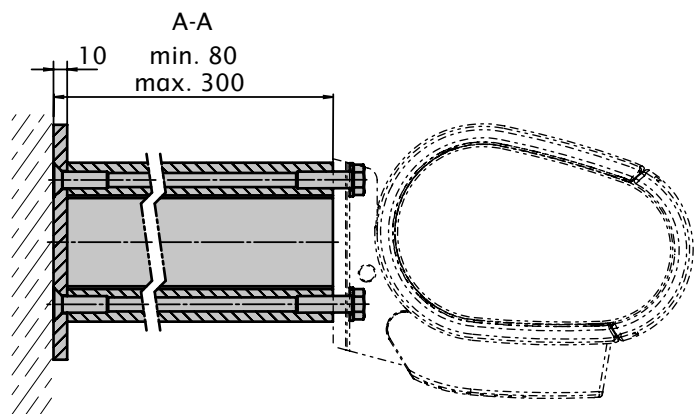
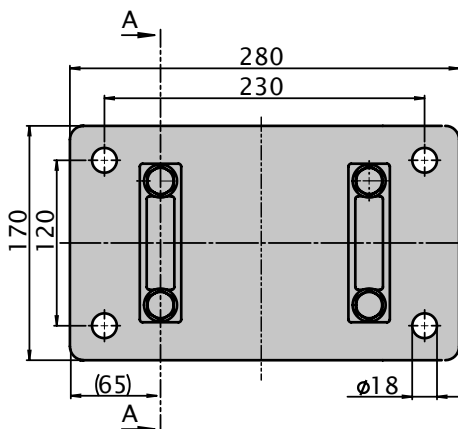
H [cm]	Compression-proof substrate										Non compression-proof substrate									
	M [cm]										M [cm]									
	250	300	350	400	450	500	550	600	650	700	250	300	350	400	450	500	550	600	650	700
	FB [N]										FB [N]									
150	550	632	713	795	876	958	1040	1121	1203	989	619	711	803	894	986	1078	1170	1261	1353	1112
200	-	969	1090	1211	1333	1454	1576	1697	1818	1540	-	1090	1226	1363	1499	1636	1772	1909	2046	1733
250	-	-	1521	1680	1849	2017	2185	2354	2835	2471	-	-	1701	1890	2080	2269	2458	2648	3189	2779
300	-	-	-	2188	2410	2633	3223	3480	3737	3307	-	-	-	2461	2712	2962	3626	3915	4204	3721
350	-	-	-	-	3157	3884	4214	4544	4075	4382	-	-	-	-	3552	4370	4741	5112	4584	4930
400	-	-	-	-	-	4795	5206	5618	-	5372	-	-	-	-	-	5394	5857	6320	-	6043
HT   BHT	2   180 mm			3   180 mm			4   180 mm				2   180 mm			3   180 mm			4   180 mm			
DH 77970.	2			3			4				2			3			4			
BM	8			12			16				8			12			16			

The pull-out force refers to the vertical centre to centre measurement between the fixing points of **120 mm**. In the case of stand-off brackets a washer conforming to DIN 9021 must be used.

- M = awning width
- H = projection
- FB = pull-out force per fixing point
- HT | BHT = bracket quantity | width
- BM = no. of fixing points
- DH = no. of stand-off brackets
- 75970. = stand-off brackets for face fixture brackets 74909. and 74928.



77970.



dimensions in mm

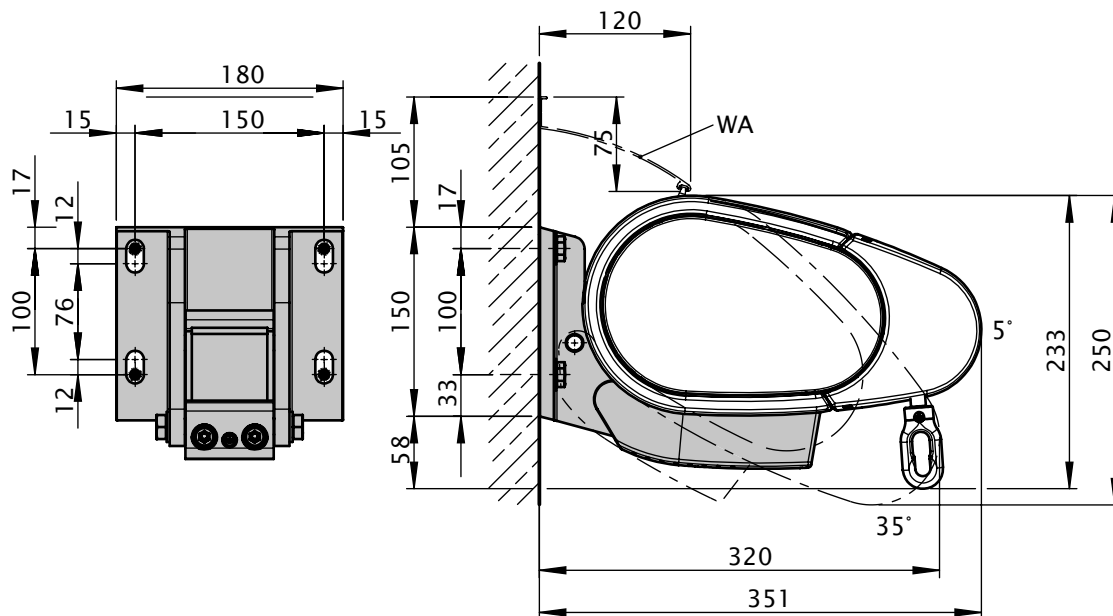
### Face fixture with shadeplus

Pull-out force [N=Newton] per upper fixing point according to EN 13561, wind resistance class 2

Compression-proof substrate											Non compression-proof substrate											
M [cm]											M [cm]											
H [cm]											H [cm]											
FB [N]											FB [N]											
250	300	350	400	450	500	550	600	650	700		250	300	350	400	450	500	550	600	650	700		
150	695	808	921	1034	1147	1259	1372	1485	1598	1373	150	855	993	1132	1271	1410	1549	1688	1827	1966	1689	
200	-	1225	1391	1558	1724	1890	2057	2223	2389	2130	200	-	1507	1711	1916	2121	2325	2530	2734	2939	2620	
250	-	-	1944	2171	2399	2627	2854	3082	3589	3292	250	-	-	2391	2671	2951	3231	3511	3791	4414	4049	
300	-	-	-	2812	3109	3406	4041	4370	4698	4368	300	-	-	-	3459	3824	4189	4970	5375	5779	5373	
350	-	-	-	-	4005	4795	5213	5630	5357	5747	350	-	-	-	-	4926	5898	6412	6925	6589	7069	
HT   BHT	2   180 mm			3   180 mm			4   180 mm					2   180 mm			3   180 mm			4   180 mm				
BM	8			12			16					8			12			16				

The pull-out force refers to the vertical centre to centre measurement between the fixture points of **100 mm**. If this measurement is reduced, the pull-out force increases by **11%** in the case of **compression-proof substrates** and by **32%** in the case of **non compression-proof substrates**.

- M = awning width
- H = projection
- FB = pull-out force per fixing point
- HT | BHT = bracket quantity | width
- BM = no. of fixing points
- WA = wall sealing profile



dimensions in mm

- 01
- 02
- 03
- 04
- 05
- 06
- 07
- 08
- 09
- 10
- 11
- 12
- 13
- 14
- 15
- 16
- 17
- 18
- 19
- 20
- 21
- 22
- 23

# Face fixture with shadeplus and spreader plate A

Pull-out force [N=Newton] per upper fixing point according to EN 13561, wind resistance class 2

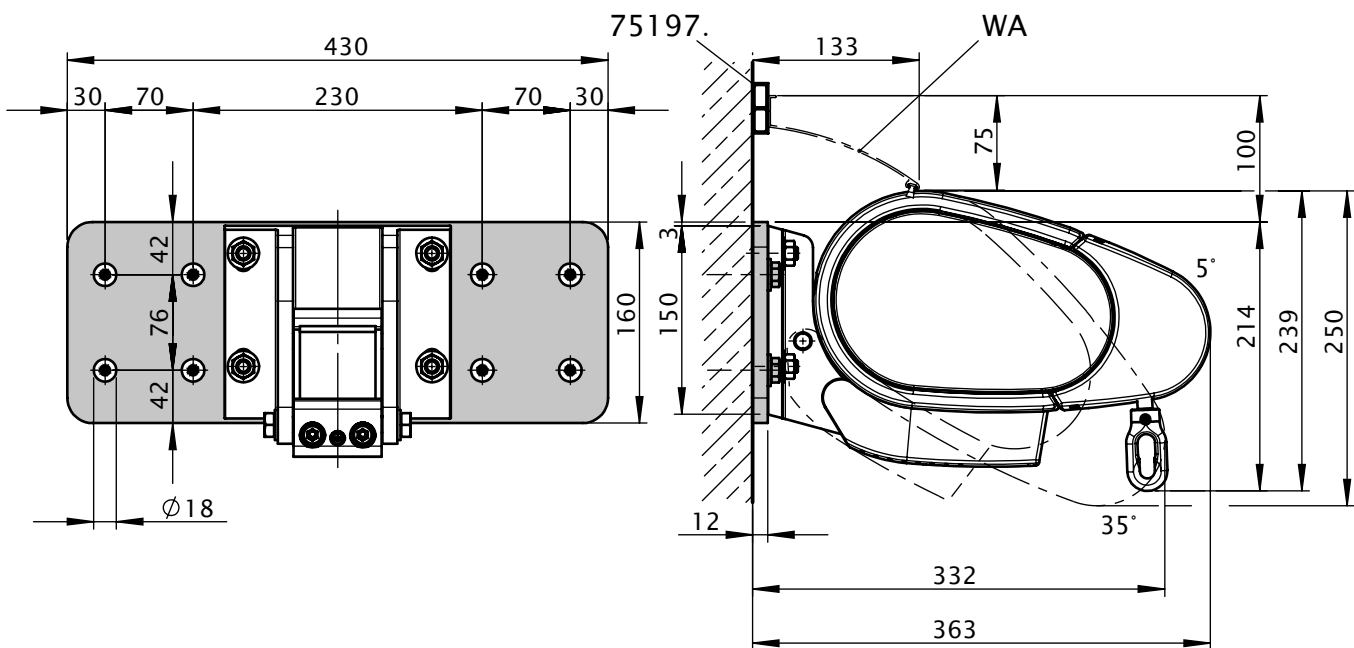
**Compression-proof substrate**  
M [cm]

**Non compression-proof substrate**  
M [cm]

H [cm]	Compression-proof substrate										Non compression-proof substrate									
	M [cm]										M [cm]									
	250	300	350	400	450	500	550	600	650	700	250	300	350	400	450	500	550	600	650	700
<b>FB [N]</b>																				
<b>150</b>	400	465	530	595	660	725	790	855	920	758	568	661	753	845	938	1030	1122	1251	1307	1077
<b>200</b>	-	704	799	895	990	1086	1181	1277	1372	1165	-	1000	1135	1271	1407	1543	1678	1814	1950	1656
<b>250</b>	-	-	1115	1245	1376	1506	1637	1767	2058	1796	-	-	1584	1769	1955	2140	2326	2511	2925	2553
<b>300</b>	-	-	-	1611	1781	1951	2315	2503	2692	2385	-	-	-	2289	2531	2773	3290	3558	3825	3389
<b>350</b>	-	-	-	-	2293	2746	2984	3223	2894	3116	-	-	-	-	3258	3902	4241	4581	4113	4429
<b>HT   BHT</b>	2   180 mm			3   180 mm				4   180 mm			2   180 mm			3   180 mm				4   180 mm		
<b>BP</b>	2			2				3			2			2				3		
<b>DP</b>	-			1				1			-			1				1		
<b>BM</b>	16			20				28			16			20				28		

The pull-out force refers to the vertical centre to centre measurement between the fixing points of **76 mm**. In the case of spreader plates a washer conforming to DIN 9021 must be used.

- M = awning width
- H = projection
- FB = pull-out force per fixing point
- HT | BHT = bracket quantity | width
- BP = no. of spreader plates
- BM = no. of fixing points
- DP = no. of spacer plates
- WA = wall sealing profile
- 75197. = stand-off strip for wall sealing profile



dimensions in mm

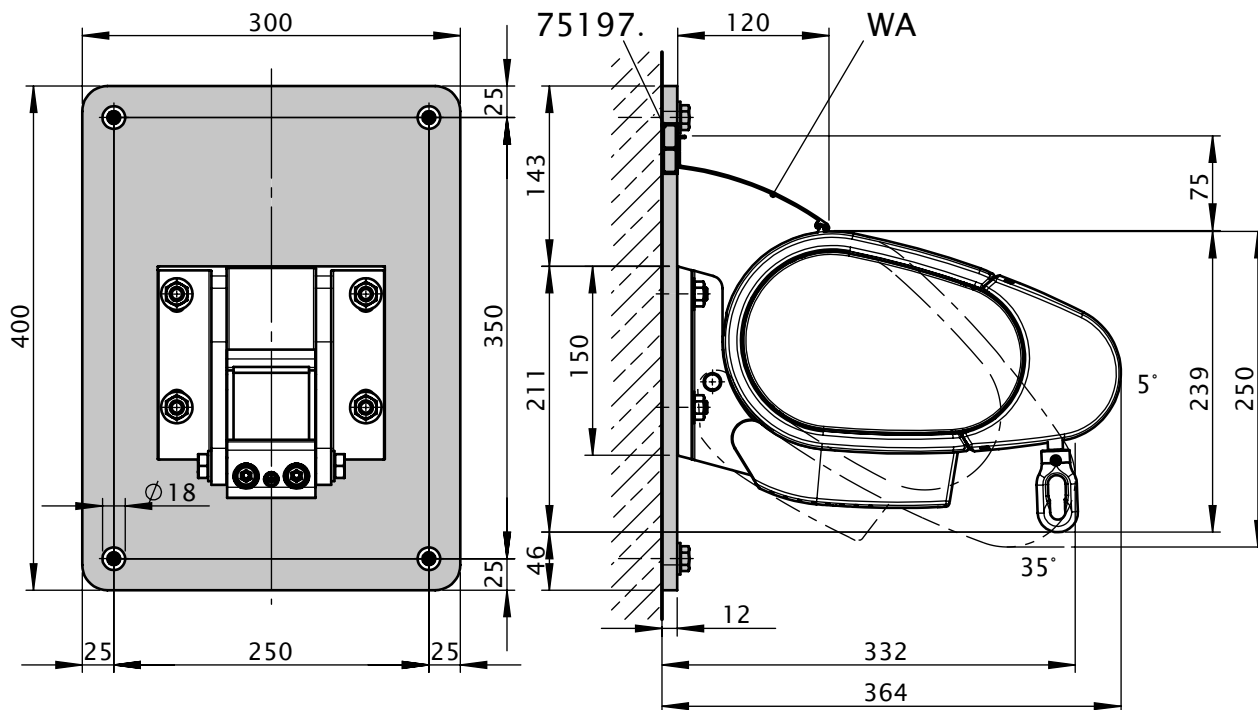
### Face fixture with shadeplus and spreader plate B

Pull-out force [N=Newton] per upper fixing point according to EN 13561, wind resistance class 2

Compression-proof substrate											Non compression-proof substrate										
M [cm]											M [cm]										
H [cm]											H [cm]										
FB [N]											FB [N]										
250	300	350	400	450	500	550	600	650	700		250	300	350	400	450	500	550	600	650	700	
150	237	275	314	352	390	429	467	506	544	449	247	287	327	367	407	447	487	527	568	468	
200	-	416	473	529	586	642	699	755	812	690	-	434	493	552	611	670	729	788	847	719	
250	-	-	660	737	814	891	969	1046	1218	1063	-	-	688	768	849	930	1010	1091	1270	1109	
300	-	-	-	953	1054	1155	1370	1482	1593	1411	-	-	-	994	1099	1204	1429	1545	1661	1472	
350	-	-	-	-	1357	1625	1766	1908	1713	1844	-	-	-	-	1415	1694	1842	1989	1786	1923	
HT   BHT	2   180 mm			3   180 mm			4   180 mm				2   180 mm			3   180 mm			4   180 mm				
BP	2			2			3				2			2			3				
DP	-			1			1				-			1			1				
BM	8			12			16				8			12			16				

The pull-out force refers to the vertical centre to centre measurement between the fixing points of 350 mm. In the case of spreader plates a washer conforming to DIN 9021 must be used.

- M = awning width
- H = projection
- FB = pull-out force per fixing point
- HT | BHT = bracket quantity | width
- BP = no. of spreader plates
- DP = no. of spacer plates
- BM = no. of fixing points
- WA = wall sealing profile
- 75197. = stand-off strip for wall sealing profile



dimensions in mm

- 01
- 02
- 03
- 04
- 05
- 06
- 07
- 08
- 09
- 10
- 11
- 12
- 13
- 14
- 15
- 16
- 17
- 18
- 19
- 20
- 21
- 22
- 23

# Face fixture with shadeplus / drop valance and stand-off brackets

Pull-out force [N=Newton] per upper fixing point according to EN 13561, wind resistance class 2

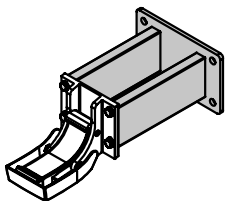
**Compression-proof substrate**  
M [cm]

**Non compression-proof substrate**  
M [cm]

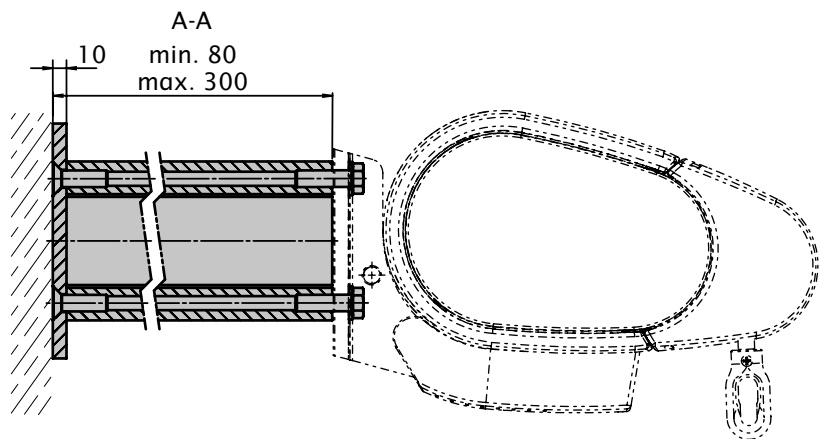
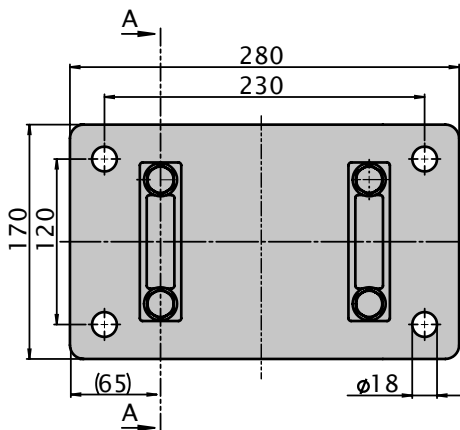
H [cm]	Compression-proof substrate										Non compression-proof substrate									
	FB [N]										FB [N]									
150	807	936	1065	1194	1323	1452	1581	1710	1839	1515	908	1053	1199	1344	1489	1634	1779	1924	2069	1705
200	-	1357	1539	1721	1903	2085	2267	2449	2631	2233	-	1526	1731	1936	2141	2345	2550	2755	2959	2512
250	-	-	2087	2329	2571	2813	3055	3297	3852	3361	-	-	2347	2620	2892	3164	3437	3709	4333	3781
300	-	-	-	2951	3260	3569	4246	4591	4935	4371	-	-	-	3320	3668	4016	4770	5164	5552	4917
350	-	-	-	-	4135	4962	5392	5822	5227	5626	-	-	-	-	4652	5582	6066	6550	5880	6330
<b>HT   BHT</b>	2   180 mm			3   180 mm			4   180 mm				2   180 mm			3   180 mm			4   180 mm			
<b>DH 77970.</b>	2			3			4				2			3			4			
<b>BM</b>	8			12			16				8			12			16			

The pull-out force refers to the vertical centre to centre measurement between the fixing points of **120 mm**. In the case of stand-off brackets a washer conforming to DIN 9021 must be used.

- M = awning width
- H = projection
- FB = pull-out force per fixing point
- HT | BHT = bracket quantity | width
- BM = no. of fixing points
- DH = no. of stand-off brackets
- 77970. = stand-off brackets for face fixture brackets 74909. and 74928.



77970.



dimensions in mm





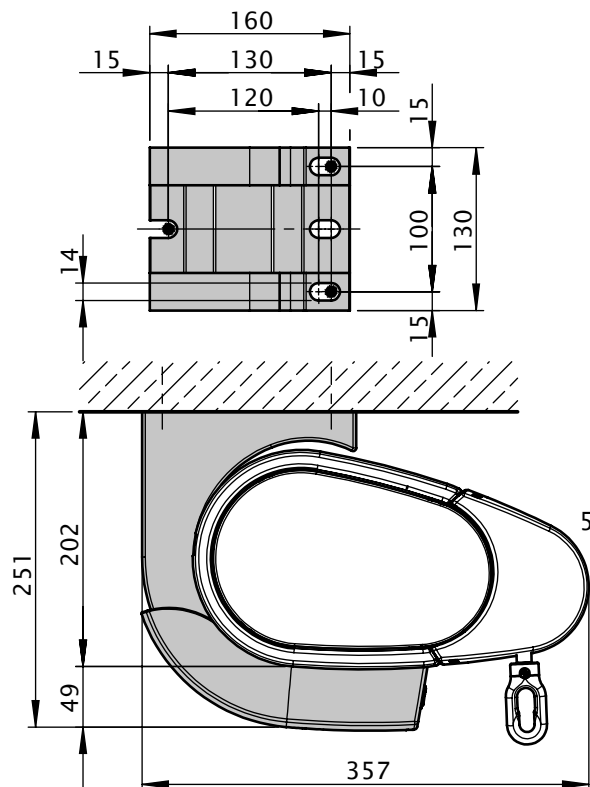
### Top fixture with shadeplus / drop valance

Pull-out force [N=Newton] per upper fixing point according to EN 13561, wind resistance class 2

Compression-proof substrate											Non compression-proof substrate											
M [cm]											M [cm]											
H [cm]											H [cm]											
FB [N]											FB [N]											
150	696	811	926	1042	1157	1272	1388	1491	1594	1389	720	839	959	1078	1197	1317	1436	1543	1650	1437		
200	-	1191	1355	1519	1683	1847	2011	2163	2315	2078	-	1234	1404	1574	1744	1914	2083	2241	2398	2153		
250	-	-	1858	2078	2298	2518	2738	2945	3407	3137	-	-	1926	2154	2382	2610	2838	3053	3533	3252		
300	-	-	-	2662	2945	3228	3819	4119	4418	4117	-	-	-	2761	3054	3347	3961	4272	4583	4270		
350	-	-	-	-	3761	4494	4887	5267	5018	5374	-	-	-	-	3901	4662	5070	5464	5206	5575		
HT   BHT	2   130 mm			3   130 mm			4   130 mm					2   130 mm			3   130 mm			4   130 mm				
BM	6			9			12					6			9			12				

The pull-out force refers to the horizontal centre to centre measurement between the fixture points of **130 mm**. If this measurement is reduced, the pull-out force increases by **7%** in the case of both **compression-proof** and **non compression-proof substrates**.

- M = awning width
- H = projection
- FB = pull-out force per fixing point
- HT | BHT = bracket quantity | width
- BM = no. of fixing points



dimensions in mm

### Eaves fixture

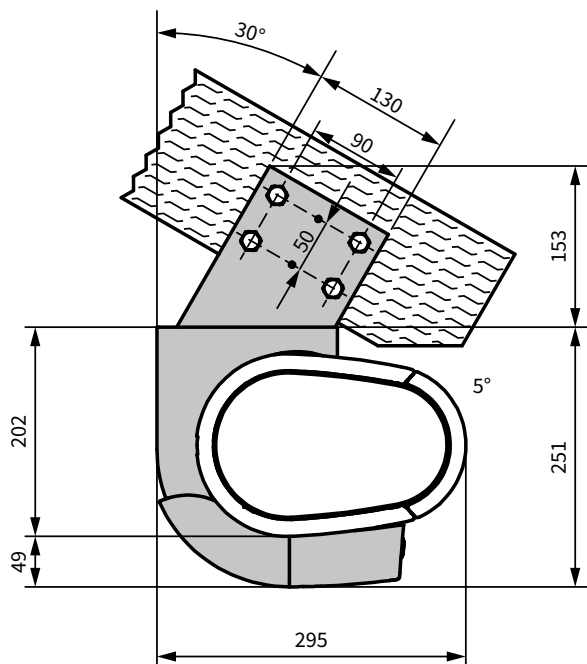
Torque [Nm = Newton metres] for the fixture bracket next to the arm, shear force [N = Newton] per fixing point according to EN 13561, wind resistance class 2

H [cm]	Torque M [cm]										Shear force M [cm]									
	250	300	350	400	450	500	550	600	650	700	250	300	350	400	450	500	550	600	650	700
	FB [N]										FB [N]									
150	114	131	148	165	182	199	216	233	251	218	1387	1603	1818	2033	2248	2463	2678	2893	3109	2775
200	-	211	237	264	291	318	344	371	398	360	-	2492	2814	3136	3457	3779	4101	4422	4744	4346
250	-	-	341	379	417	455	494	532	639	591	-	-	3962	4412	4861	5311	5761	6210	7423	6916
300	-	-	-	506	557	609	744	804	863	808	-	-	-	5820	6419	7019	8542	9229	9915	9331
350	-	-	-	-	743	913	991	1069	1025	1098	-	-	-	-	8485	10395	11284	12173	11714	12549
400	-	-	-	-	-	1144	1242	1341	-	1362	-	-	-	-	-	12959	14077	15195	-	15484
HT	2			3			4				2			3			4			
BM	8			12			16				8			12			16			

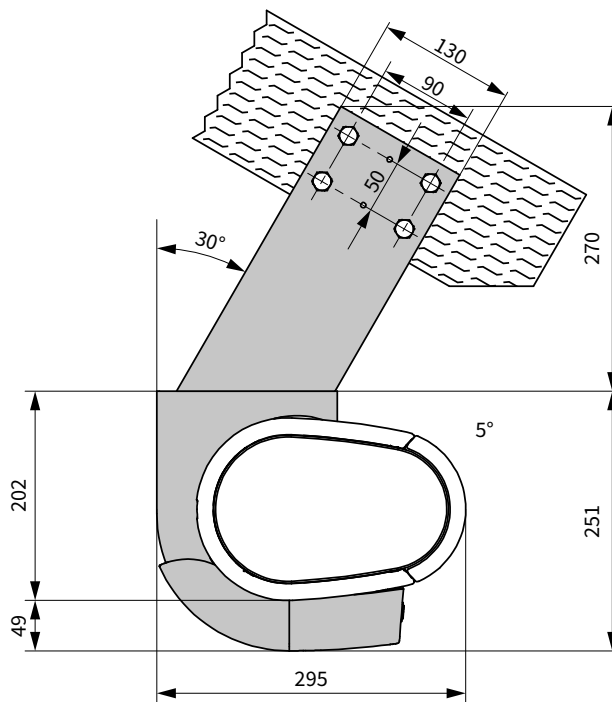
The shear force is calculated on the basis of 2 fixing points per bracket, because – depending on the roof pitch – it cannot be guaranteed that 4 fixing points per bracket can be used.

- M = awning width
- H = projection
- Md = torque value for the bracket in the immediate vicinity of the arm
- HT = no. of brackets
- FS = shear force
- BM = no. of fixing points

with eaves fixture bracket 150 mm (74944.)



with eaves fixture bracket 270 mm (74970.)



dimensions in mm

01  
02  
03  
04  
05  
06  
07  
08  
09  
10  
11  
12  
13  
14  
15  
16  
17  
18  
19  
20  
21  
22  
23

### Eaves fixture with additional spreader / backing plate

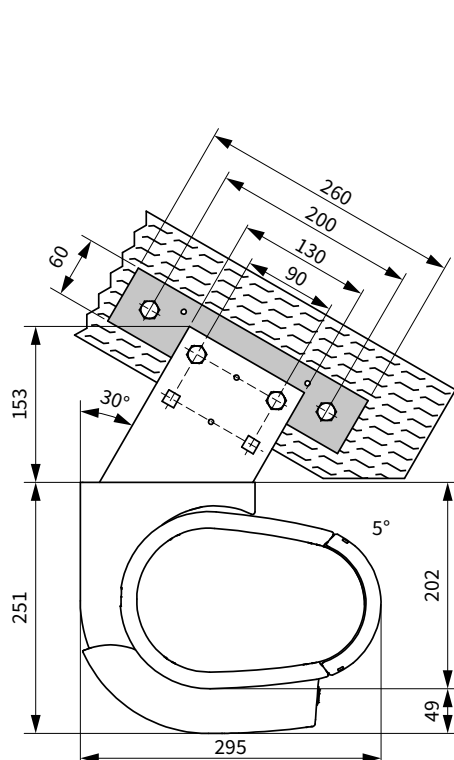
Torque [Nm = Newton metres] for the fixture bracket next to the arm, shear force [N = Newton] per fixing point according to EN 13561, wind resistance class 2

H [cm]	Torque M [cm]										Shear force M [cm]																			
	250	300	350	400	450	500	550	600	650	700	250	300	350	400	450	500	550	600	650	700										
	FB [N]										FB [N]																			
150	114	131	148	165	182	199	216	233	251	218	693	804	914	1025	1135	1246	1356	1467	1578	1441										
200	-	211	237	264	291	318	344	371	398	360	-	1204	1362	1521	1679	1838	1997	2155	2314	2148										
250	-	-	341	379	417	455	494	532	639	591	-	-	1879	2095	2311	2527	2744	2960	3519	3305										
300	-	-	-	506	557	609	744	804	863	808	-	-	-	2729	3012	3296	3995	4318	4641	4391										
350	-	-	-	-	743	913	991	1069	1025	1098	-	-	-	-	3942	4815	5229	5643	5450	5840										
400	-	-	-	-	-	1144	1242	1341	-	1362	-	-	-	-	-	5969	6486	7003	-	7160										
HT	2					3					4					2					3					4				
BM	4				6				8		4				6				8											

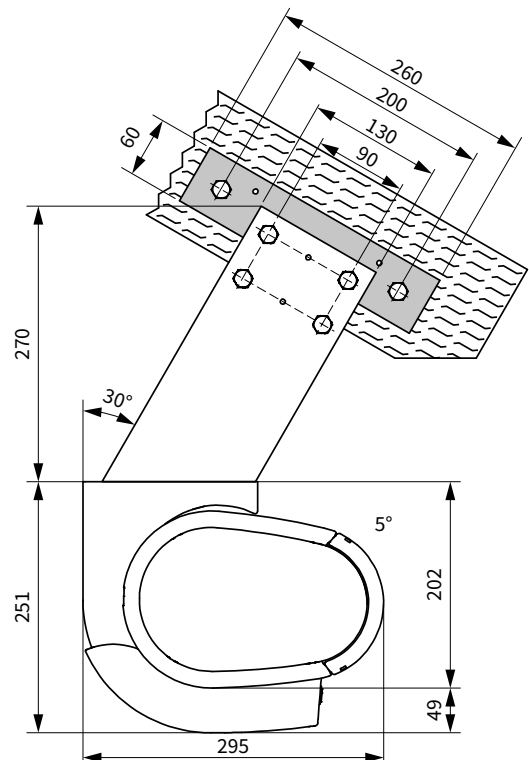
By using the additional flat fixture plate, the shear force is reduced in comparison with conventional eaves fixture.

- M = awning width
- H = projection
- Md = torque value for the bracket in the immediate vicinity of the arm
- HT = no. of brackets
- FS = shear force
- BM = no. of fixing points

with eaves fixture bracket 150 mm (74944.)

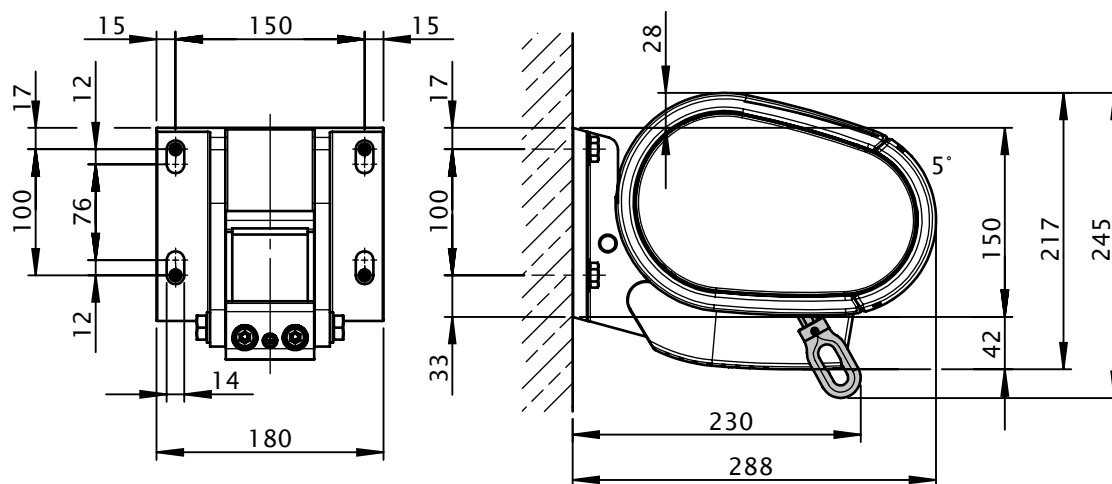


with eaves fixture bracket 270 mm (74970.)



dimensions in mm

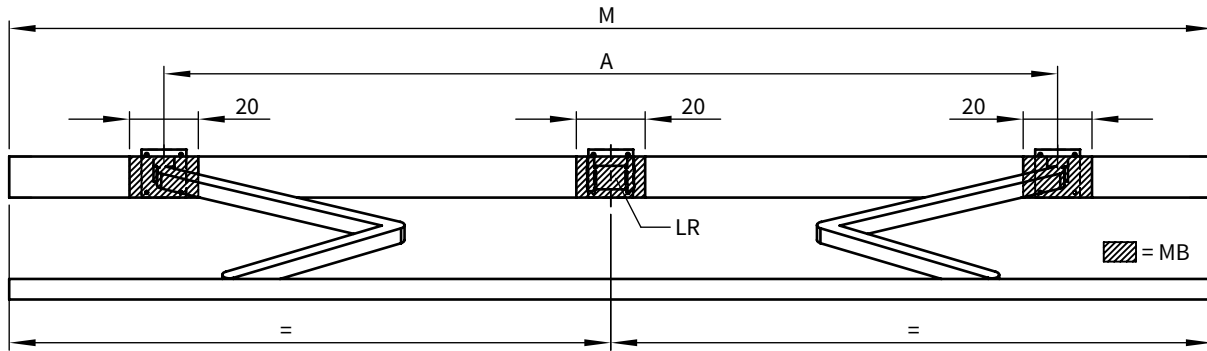
### Face fixture with manual operation



dimensions in mm

- 01
- 02
- 03
- 04**
- 05
- 06
- 07
- 08
- 09
- 10
- 11
- 12
- 13
- 14
- 15
- 16
- 17
- 18
- 19
- 20
- 21
- 22
- 23

### Bracket range for awnings with 2 folding arms



dimensions in cm

M [cm]	SB →	250	300	350	400	450	500	550	600	650
	ZB →	208–250	251–300	301–350	351–400	401–450	451–500	501–550	551–600	601–650

H [cm] ↓	A [cm]								
150	187*	210**	260	300	340	380	440	490	510
200	-	237*	260**	300	340	380	440	490	510
250	-	-	287*	300**	340	390	440	490	510
300	-	-	-	337*	340**	390	440	490	510
350	-	-	-	-	387*	390**	440	490	-
400	-	-	-	-	-	437*	445**	490**	-

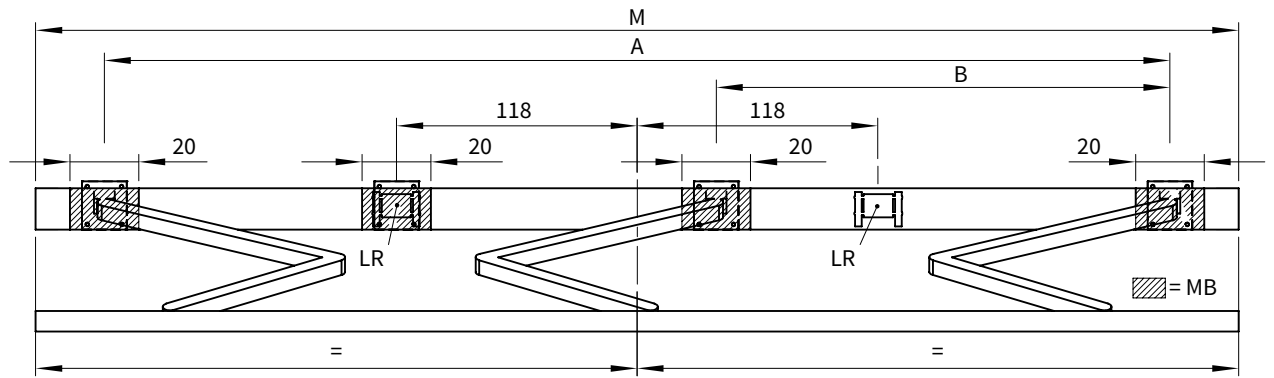
	BHT ↓	HT ↓	HT ↓
W	180 mm	2	3

DE / DA	130 mm	2	3
---------	--------	---	---

If the brackets cannot be positioned in accordance with this table, make sure the actual measurements are noted on the order form!

- \* = Please note the minimum widths! Dimension A is only valid for standard arms!  
Dimension A is 13 cm smaller in the case of bespoke arms. Coupled units are not available with junction roller.
- \*\* = Coupled units are only available with junction roller in the standard widths, in the case of other widths please ask us.
- A = arm position
- BHT = bracket width
- DA = eaves fixture
- DE = top fixture
- H = projection
- HT = no. of brackets
- LR = a rolltex bearing with accompanying bracket is always placed under a central seam
- M = awning width
- MB = bracket fixture range
- SB = standard width
- W = face fixture
- ZB = intermediate width

### Bracket range for awnings with 3 folding arms



dimensions in cm

<b>M [cm]</b>	<b>SB →</b>	<b>650</b>	<b>700</b>
	<b>ZB →</b>		651–700

<b>H [cm] ↓</b>	<b>A [cm]</b>	<b>B [cm] ↓</b>	<b>A [cm]</b>	<b>B [cm] ↓</b>	<b>K [cm] ↓</b>
<b>150</b>	-	-	600	265	650
<b>200</b>	-	-	600	240	650
<b>250</b>	-	-	600	230	650
<b>300</b>	-	-	610	230	650
<b>350</b>	625 <sup>2)</sup>	230 <sup>2)</sup>	625 / 645 <sup>1)3)</sup>	230 <sup>1)</sup>	650
<b>400</b>	-	-	670 <sup>2)</sup>	230 <sup>2)</sup>	700

<b>W</b>	<b>BHT ↓</b>	<b>HT ↓</b>
	<b>180 mm</b>	<b>4</b>

<b>DA / DE</b>	<b>130 mm</b>	<b>4</b>
----------------	---------------	----------

If the brackets cannot be positioned in accordance with this table, make sure the actual measurements are noted on the order form!

1) = Please note the minimum widths, only possible with a junction roller at a width of 700 cm.

2) = Please note the minimum widths, coupled units are not possible.

3) = arm position for awnings with spotlights

A = arm position

B = arm position

BHT = bracket width

DA = eaves fixture

DE = top fixture

H = projection

HT = no. of brackets

KM = minimum awning width

LR = a rolltex bearing with accompanying bracket is always placed under a central seam

M = awning width

MB = bracket fixture range

SB = standard width

W = face fixture

ZB = intermediate width

## Spotlighting

### Possible number of spotlights

widths [cm]	150	200	250	300	350	400
238 – 250	2	–	–	–	–	–
251 – 277	–	–	–	–	–	–
278 – 287	3	–	–	–	–	–
288 – 300	3	2	–	–	–	–
301 – 317	–	–	–	–	–	–
318 – 337	3	3	–	–	–	–
338 – 387	3	3	2	–	–	–
388 – 400	3	3	2	2	–	–
401 – 437	3	3	3	2	–	–
438 – 450	3	3	3	2	2	–
451 – 457	6	6	–	–	–	–
458 – 500	6	6	6	6	4	–
501 – 507	–	–	–	–	–	–
508 – 517	6	6	6	6	6	–
518 – 550	6	6	6	6	6	4
551 – 557	–	–	–	–	–	–
558 – 562	6	6	6	6	6	–
563 – 600	6	6	6	6	6	6
601 – 650	6	6	6	6	–	–
651 – 657	6*	6*	6*	–	–	–
658 – 687	6*	6*	6*	6*	–	–
688 – 700	6*	6*	6*	6*	6*	–



Up to six spotlights can be fitted to the front profile. They can be adjusted individually so that the area under the whole awning can be bathed in a pleasant light according to your requirements.

The addition of a dimmer makes it possible to regulate the light intensity yourself. An integrated timer ensures that the spotlights are turned off automatically after six hours.

The lighting can be reactivated by double-clicking either the switch or the remote control.

The table on the left allows you to determine how many spotlights we supply in the dimensions shown. Due to the fact that the folding arms retract into the front profile this type of lighting is not available in some awning sizes.

Coupled units on request.

\* = spotlight distribution in the case of 3 folding arms

### Spotlight distribution, 2 folding arms

No. of spotlights	Spotlight distribution in the front profile	
2		
3		
4		
6		

### Spotlight distribution, 3 folding arms

No. of spotlights	Spotlight distribution in the front profile	
6		

### Spotlight operation

	standard	optional
standard on/off switch	<input checked="" type="checkbox"/>	–
radio-controlled dimmer	–	<input checked="" type="checkbox"/>
RTS operation on/off	–	<input checked="" type="checkbox"/>

### Technical specification

operating voltage	230 V, 50 Hz
spotlight power output	20 W
bulbs	OSRAM Decostar 35S (12 V)
power supply cable	3 × 1 mm <sup>2</sup>
No. of transformers	1 (in the case of 2 or 3 spotlights), 2 (in the case of 4 or 6 spotlights)