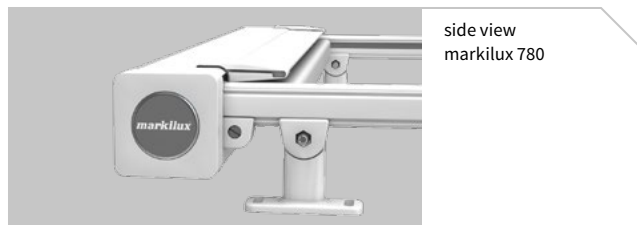




markilux 780 / 880

**Remarkably compact yet strong conservatory awnings
for small glass areas both on the interior and the exterior**

**rated to wind resistance class 3
(corresponds to Beaufort 6)**



side view
markilux 780



side view
markilux 880



side view
with manual operation,
markilux 780
(illustration without
winding handle)



side view
with manual operation,
markilux 880
(illustration without
winding handle)



gap cover profile
for the guide track
(optional) and
decoration cap for track
brackets (optional)



cover support tube
for larger units



motor drive
(optional) secreted
in the roller tube



markilux 880,
brush seal protects
the retracted cover
against soiling

Design Features

compact cassette profile made of extruded aluminium, the square cassette of the markilux 780 is only 95 mm in height

the panel joints of the awning cover are ultrasonically bonded – for an improved appearance without unsightly stitching

when retracted the cover is protected from the weather by the cassette, which encloses it completely

for long-lasting attractiveness the awning has been powder coated

in the case of manual operation it is supplied with a markilux stainless steel winding handle – quality to get to grips with

the compact, rounded profiles make it discreet and unobtrusive

Technical Specification

is suitable for use as both exterior and interior shading

awning completely pre-assembled and tested in the factory

brackets with patented clip-on mechanism for simple, problem free installation

special vario-belts provide optimum cover tension when the awning is completely extended

the guide tracks can overhang the outermost bracket by up to 80 cm, giving even more protection from the sun

in the case of the round cassette: extremely sturdy, stainless steel side cheek sheathed in plastic and powder coated

Optional Accessories

hard-wired motor operation (optionally with automatic weather controls) for straightforward and easy operation

radio-controlled motor with remote control for comfortable operation, markilux remote control with ergonomic design

an easily installed, radio control light and wind sensor guarantees comfort and a degree of safety – even in your absence

to simplify fixture, a broad selection of brackets is available

awning available in non-standard RAL colours

Dimensions and configuration options

		75	100	125	165	205	245	285	325	350 ²⁾	375 ²⁾	400 ²⁾		
		62 75	76 100	101 125	126 165	166 205	206 245	246 285	286 325	326 350	351 375	376 400		
overall width motor operation		+5												
overall width manual operation		+8												
	150												62	76
	200									3)	3)	3)		
	250									3)	4)	4)		
	300					3)	3)	3)	3)	4)	4)	—		
	350 ¹⁾	3)	3)	3)	3)	3)	3)	3)	4)	4)	—	—		
	400 ¹⁾	3)	3)	3)	3)	3)	3)	4)	4)	—	—	—		

dimensions in cm

= recommended min. bracket height when fitting on top of a structure: 80 mm
 = recommended min. bracket height when fitting on top of a structure: 100 mm
 = recommended min. bracket height when fitting on top of a structure: 140 mm

- 1) from an extension of 301 cm, 3 brackets per track
- 2) additional support for the cover support tube(s)

- 3) 1 cover support tube
- 4) 2 cover support tubes

In the case of fixture types 10 and 15 no cover support tubes when fitted underneath a structure

Operation / Drive unit

	standard	optional
manual operation	<input checked="" type="checkbox"/>	—
hard-wired motor	—	<input checked="" type="checkbox"/>
io radio-controlled motor	—	<input checked="" type="checkbox"/>
radio-controlled motor (433 MHz)	—	<input checked="" type="checkbox"/>

Covers





	fabric range no.	standard	optional
sunsilk snc	324 xx / 328 xx / 369 xx	<input checked="" type="checkbox"/> 5)	—
sunvas snc	310 xx / 311 xx 313 xx — 315 xx	<input checked="" type="checkbox"/> 5)	—
sunsilk perla FR	374 xx	—	<input checked="" type="checkbox"/> 6)
transolair	338 xx	—	<input checked="" type="checkbox"/> 7)
perfortex	332 xx	<input checked="" type="checkbox"/> 6)	—
vuscreen ALU	317 xx	—	<input checked="" type="checkbox"/> 8)
sunvas perla	370 xx	—	<input checked="" type="checkbox"/> 6)

- 5) in the case of the markilux 780 up to a maximum extension of 300 cm; from an extension of 301 cm only sunvas oversized material is possible; from a certain size the cover will be made with horizontal panels
- 6) in the case of the markilux 780 up to a maximum extension of 250 cm
- 7) depending on the width and extension with bonded horizontal seam(s)
- 8) up to a maximum extension of 250 cm

= hard-wired motor
 = radio-controlled motor (433 MHz)
 MA = fixture width / order width
 = manual / gearbox operation
 MA min. = minimum fixture width
 H = extension

01
02
03
04
05
06
07
08
09
10
11
12
13
14
15
16
17
18
19
20
21

Frame colours

		standard	optional
traffic white	RAL 9016		
metallic aluminium	RAL 9006		
grey brown, similar to	RAL 8019		
non-standard powder-coated finish			

Colours similar to those in the RAL chart. Colours may differ slightly from those depicted in both hue and finish.

Dimensions and tolerances

	width	drop	
		780	880
housing tolerances	+5 / -10 mm		
awning cover width = awning fixture width	-100 mm		
awning cover length = nominal awning extension		-135 mm	-145 mm

Miscellaneous

	standard	optional
light and wind sensor	—	<input checked="" type="checkbox"/>
gap cover profiles block the gap between cover and tracks	—	<input checked="" type="checkbox"/>

Additional information

The width of the awning cover is always **less** than that of the awning.

Definition of fixture/order width: the width noted on the order should be the fixture width of the unit i.e. the distance between the two fixture points on the conservatory.

The overall width is greater than the fixture width (see matrix). The tolerance in the width is + 0 mm / - 10 mm.

Definition of extension: the nominal extension is measured with the awning extended from the back of the cassette to the leading edge of the front profile (the guide tracks will extend 60 mm past this point). For the tolerances in the extension is + 20 / - 20 mm.

N.B! If the **motor is used continuously** it will stop automatically after 3 to 4 minutes **to prevent overheating**.

Definition of operating side: the operating side is always given as if seen from the outside looking towards the cassette (right or left).

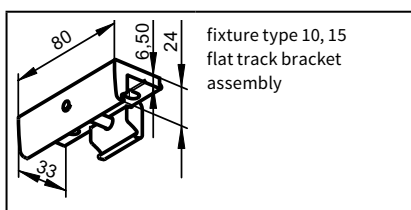
Extension with a **hard-wired motor** takes approx. **12 seconds per metre**, with a **radio-controlled motor** approx. **10 seconds per metre**, in the case of **manual operation 18 winding handle rotations per metre**.

This model is only available as a single unit.

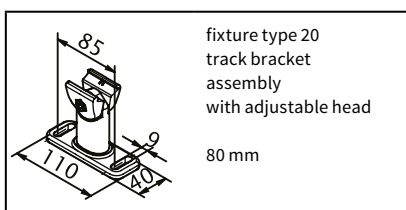
Depending on the size of the blind, deflection may be in evidence in individual profiles and sections of profile which is completely unavoidable. This affects neither the functionality nor the durability of the awning.

Fixtures, fittings and accessories

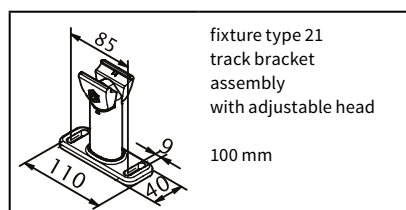
markilux 780 / 880



78548.



78451.



78538.

fixture type 20 track bracket assembly with adjustable head

80 mm

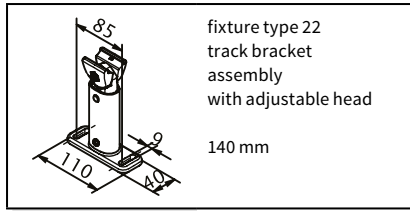
fixture type 21 track bracket assembly with adjustable head

100 mm

. = insert RAL colour code no.

Fixtures, fittings and accessories

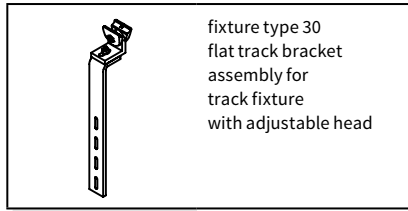
markilux 780 / 880



fixture type 22
track bracket
assembly
with adjustable head

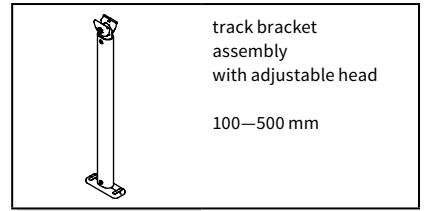
140 mm

78539.



fixture type 30
flat track bracket
assembly for
track fixture
with adjustable head

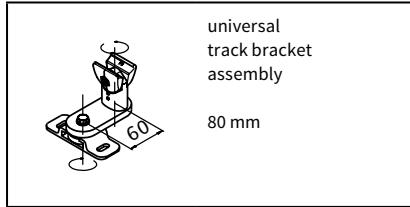
78546.



track bracket
assembly
with adjustable head

100—500 mm

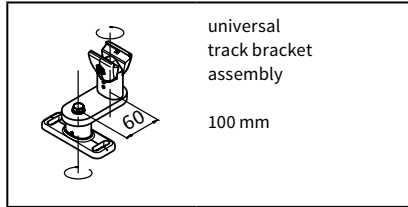
78540.



universal
track bracket
assembly

80 mm

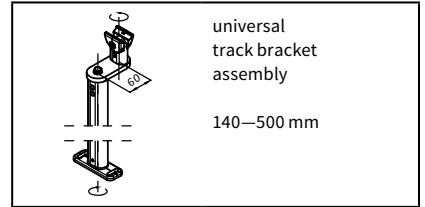
78542.



universal
track bracket
assembly

100 mm

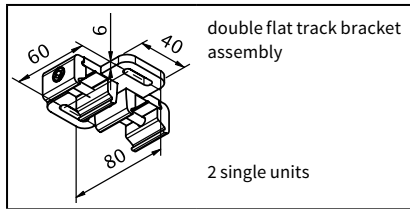
78543.



universal
track bracket
assembly

140—500 mm

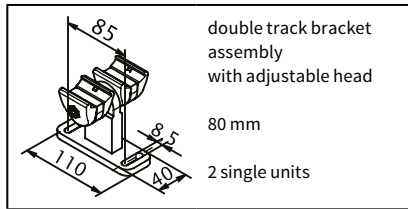
78545.



double flat track bracket
assembly

2 single units

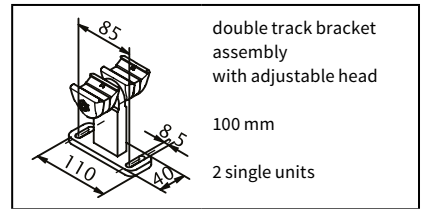
78671.



double track bracket
assembly
with adjustable head

80 mm
2 single units

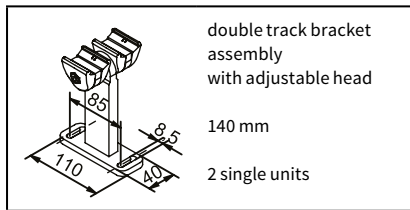
78654.



double track bracket
assembly
with adjustable head

100 mm
2 single units

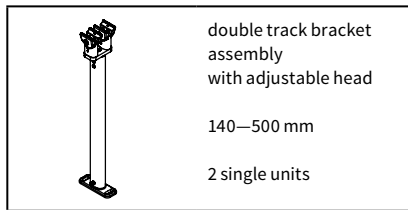
78658.



double track bracket
assembly
with adjustable head

140 mm
2 single units

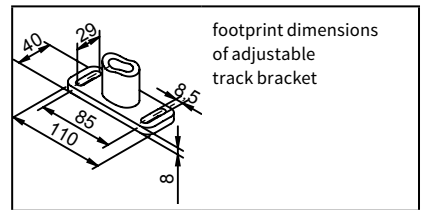
78683.



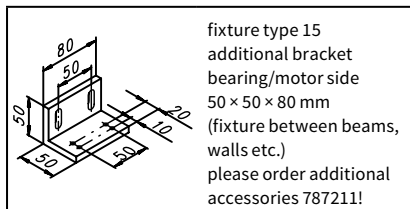
double track bracket
assembly
with adjustable head

140—500 mm
2 single units

78685.

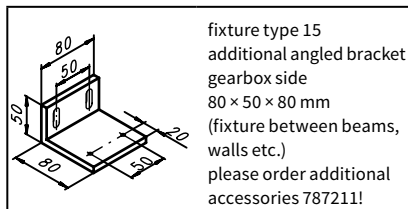


footprint dimensions
of adjustable
track bracket



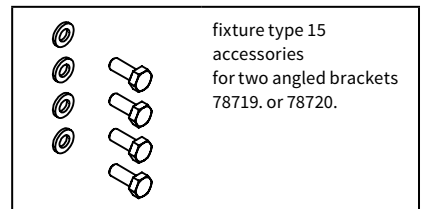
fixture type 15
additional bracket
bearing/motor side
50 × 50 × 80 mm
(fixture between beams,
walls etc.)
please order additional
accessories 787211!

78719.



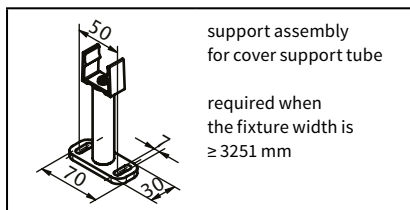
fixture type 15
additional angled bracket
gearbox side
80 × 50 × 80 mm
(fixture between beams,
walls etc.)
please order additional
accessories 787211!

78720.



fixture type 15
accessories
for two angled brackets
78719. or 78720.

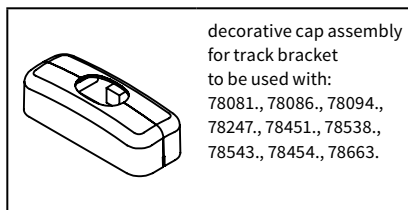
787211



support assembly
for cover support tube

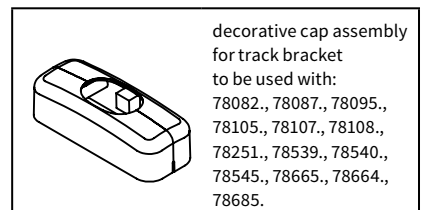
required when
the fixture width is
≥ 3251 mm

78679.



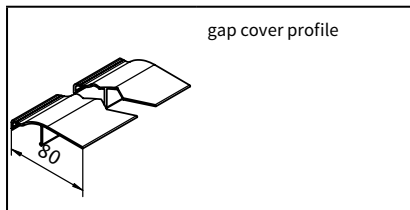
decorative cap assembly
for track bracket
to be used with:
78081., 78086., 78094.,
78247., 78451., 78538.,
78543., 78454., 78663.

76603.



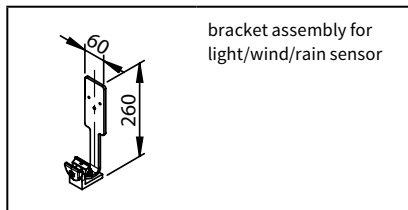
decorative cap assembly
for track bracket
to be used with:
78082., 78087., 78095.,
78105., 78107., 78108.,
78251., 78539., 78540.,
78545., 78665., 78664.,
78685.

76604.



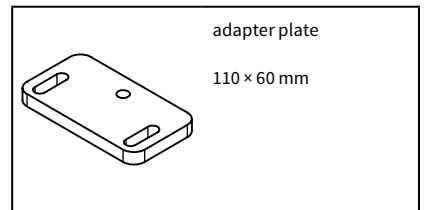
gap cover profile

78999.



bracket assembly for
light/wind/rain sensor

78547.



adapter plate

110 × 60 mm

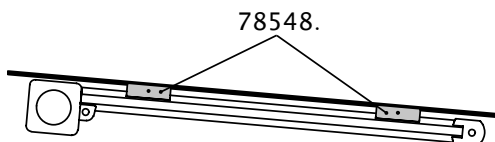
78158.

. = insert RAL colour code no.

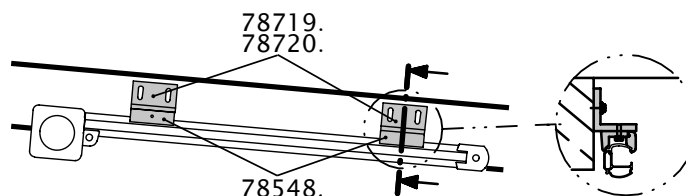
Fixture combinations / Fixture types

All brackets incur a surcharge

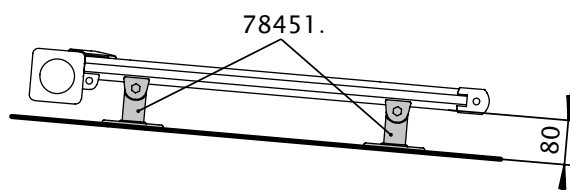
Fixture type
10¹⁾



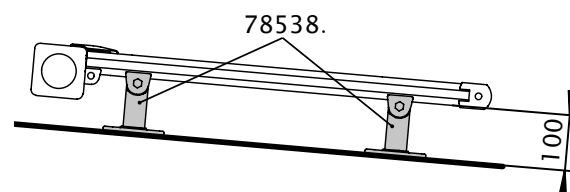
Fixture type
15¹⁾



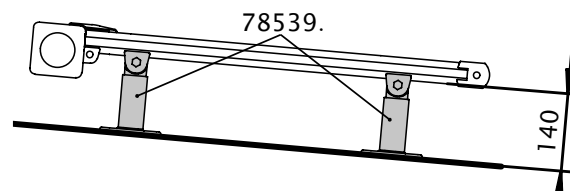
Fixture type
20²⁾



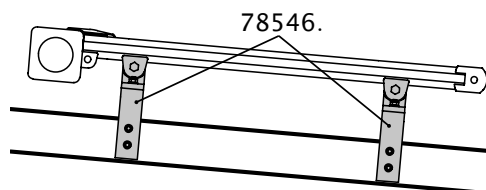
Fixture type
21²⁾



Fixture type
22²⁾



Fixture type
30²⁾



1)

- from an extension of 3001 mm, 3 brackets per track
- without cover support tube
- cover sag during extension and retraction may reach approx. 350 mm
- without gap cover profile for cassette / guide track (to prevent water ingress when retracted)

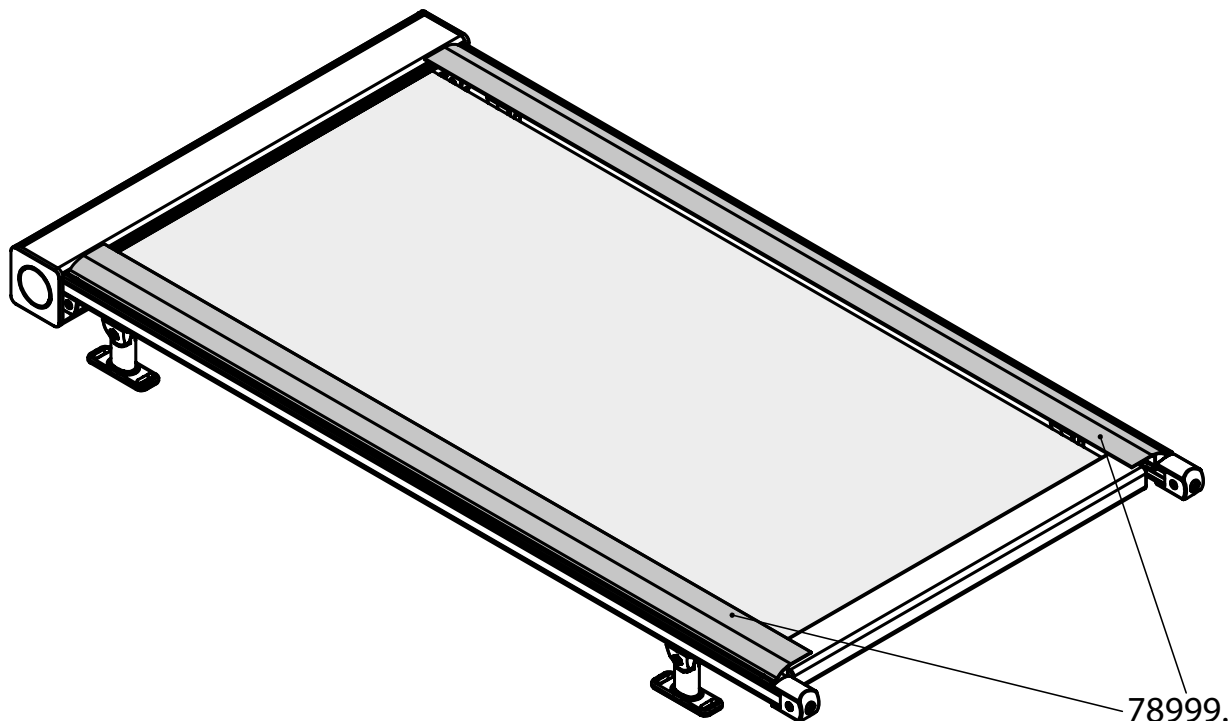
2)

- from an extension of 3001 mm, 3 brackets per track

Individual bracket combinations – see “Fixtures, fittings and accessories”. Please note the minimum quantity required for the width and unit height you intend to order!

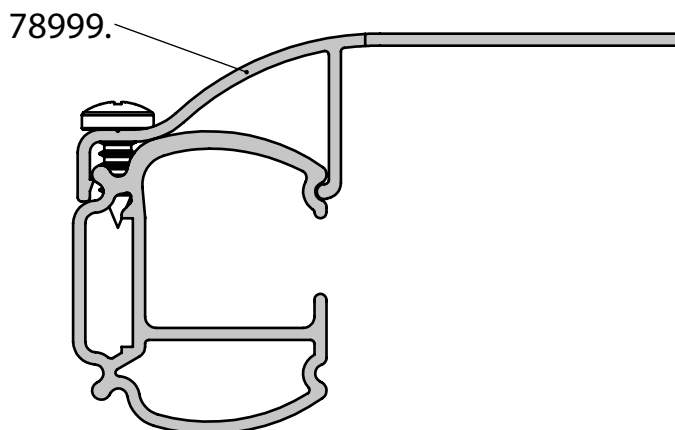
Gap cover profiles block the gap between cover and tracks (optional)

Example in the case of the square cassette



dimensions in mm

Cross section of gap cover profile



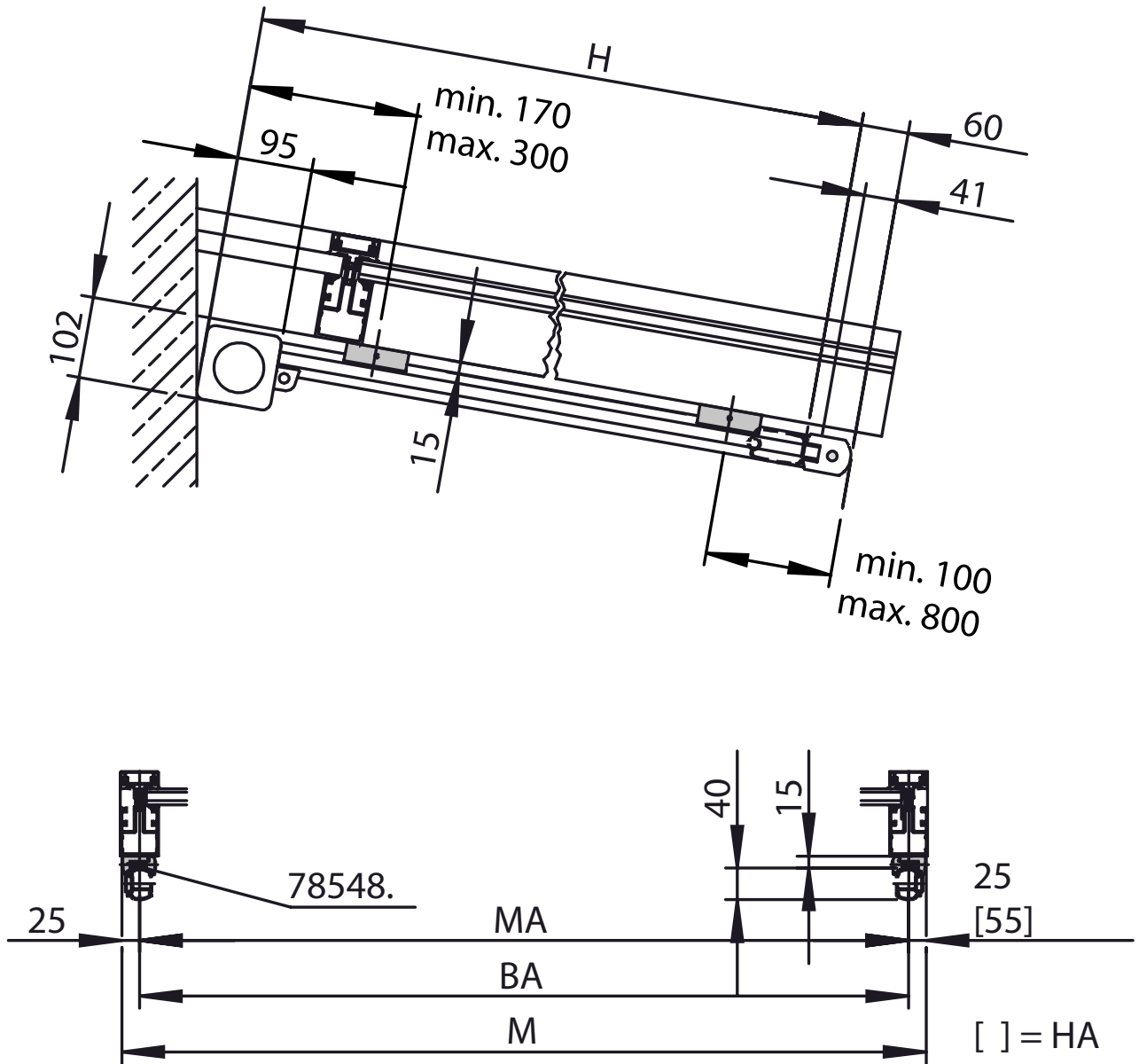
dimensions in mm

78999. = gap cover profile

- 01
- 02
- 03
- 04
- 05
- 06
- 07
- 08
- 09
- 10
- 11
- 12
- 13
- 14
- 15**
- 16
- 17
- 18
- 19
- 20
- 21

Dimension overview fixture type 10

markilux 780

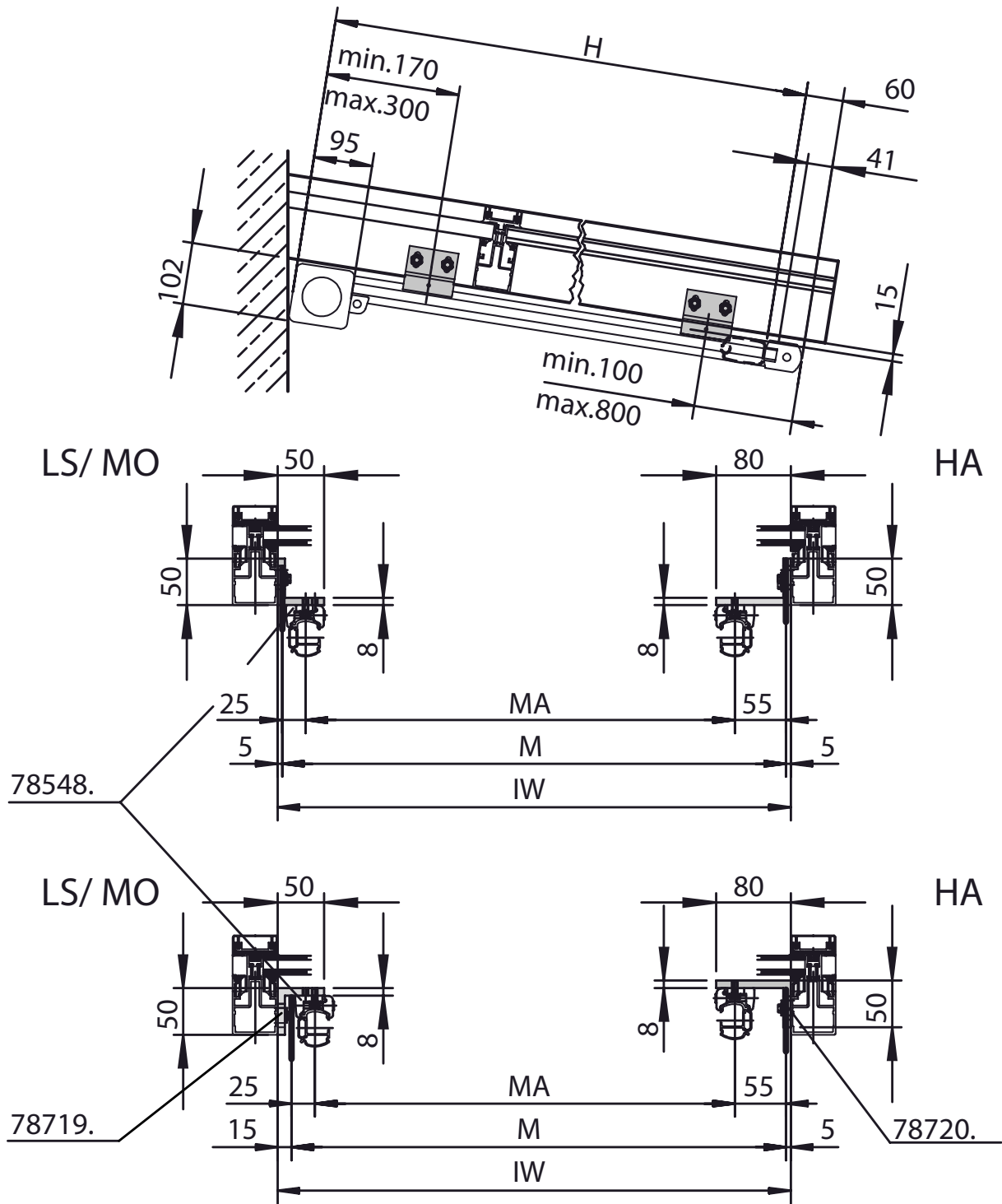


dimensions in mm

- M = overall awning width
- MA = awning fixture width = fixture width = order width
- H = nominal extension = order extension
- BA = width between fixture points
- HA = manual operation
- [...] = dimensions in the case of manual operation
- 78548. = up to an extension of 3000 mm, 2 per track, from an extension of 3001 mm, 3 per track

Dimension overview fixture type 15

markilux 780

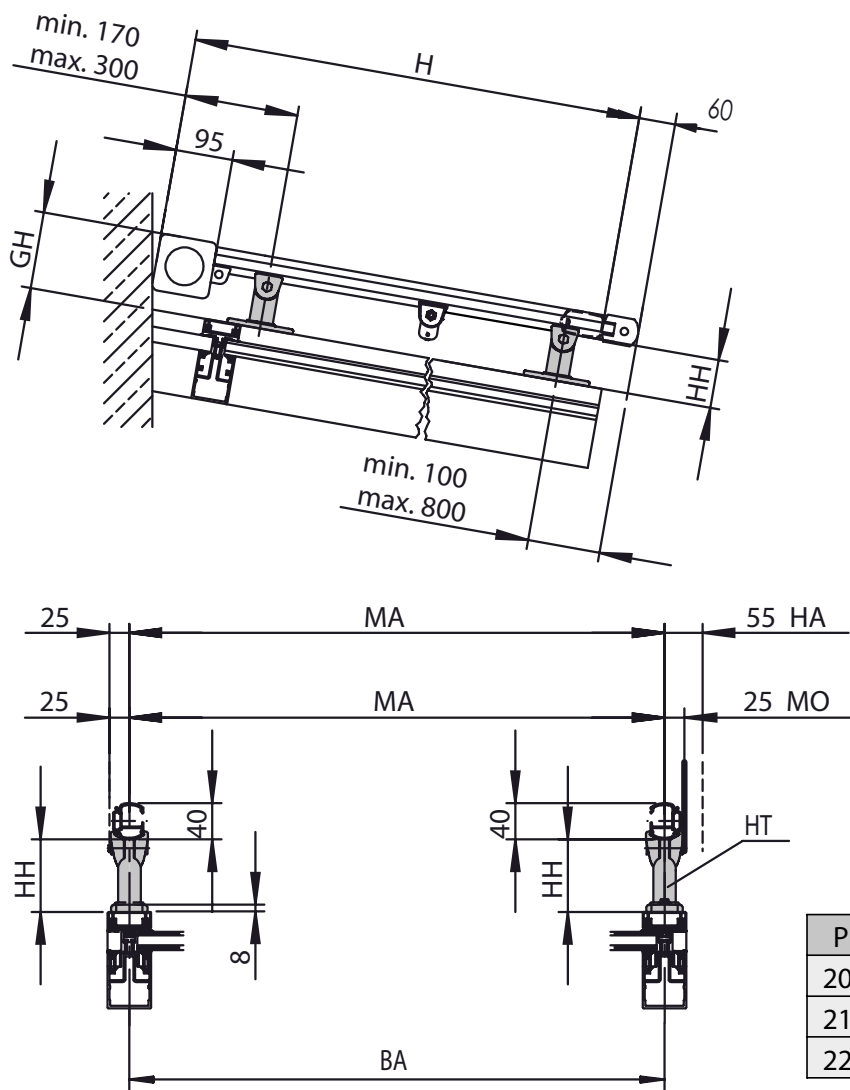


- M = overall awning width
 - MA = awning fixture width = fixture width = order width
 - H = nominal extension = order extension
 - LS = bearing side
 - MO = motor operation
 - HA = manual operation
 - IW = interior conservatory dimension
78548. = up to an extension of 3000 mm, 2 per track, from an extension of 3001 mm, 3 per track
- dimensions in mm

01
02
03
04
05
06
07
08
09
10
11
12
13
14
15
16
17
18
19
20
21

Dimension overview fixture types 20, 21 and 22

markilux 780



P	GH	HH	ARH
20	130	80	78451.
21	150	100	78538.
22	190	140	78539.

dimensions in mm

- MA = awning fixture width = fixture width = order width
- H = nominal extension = order extension
- GH = overall height
- HH = fixture bracket height
- HA = manual operation
- MO = motor operation
- HT = bracket
- BA = width between fixture points
- P = fixture type
- ARH = fixture bracket part no.

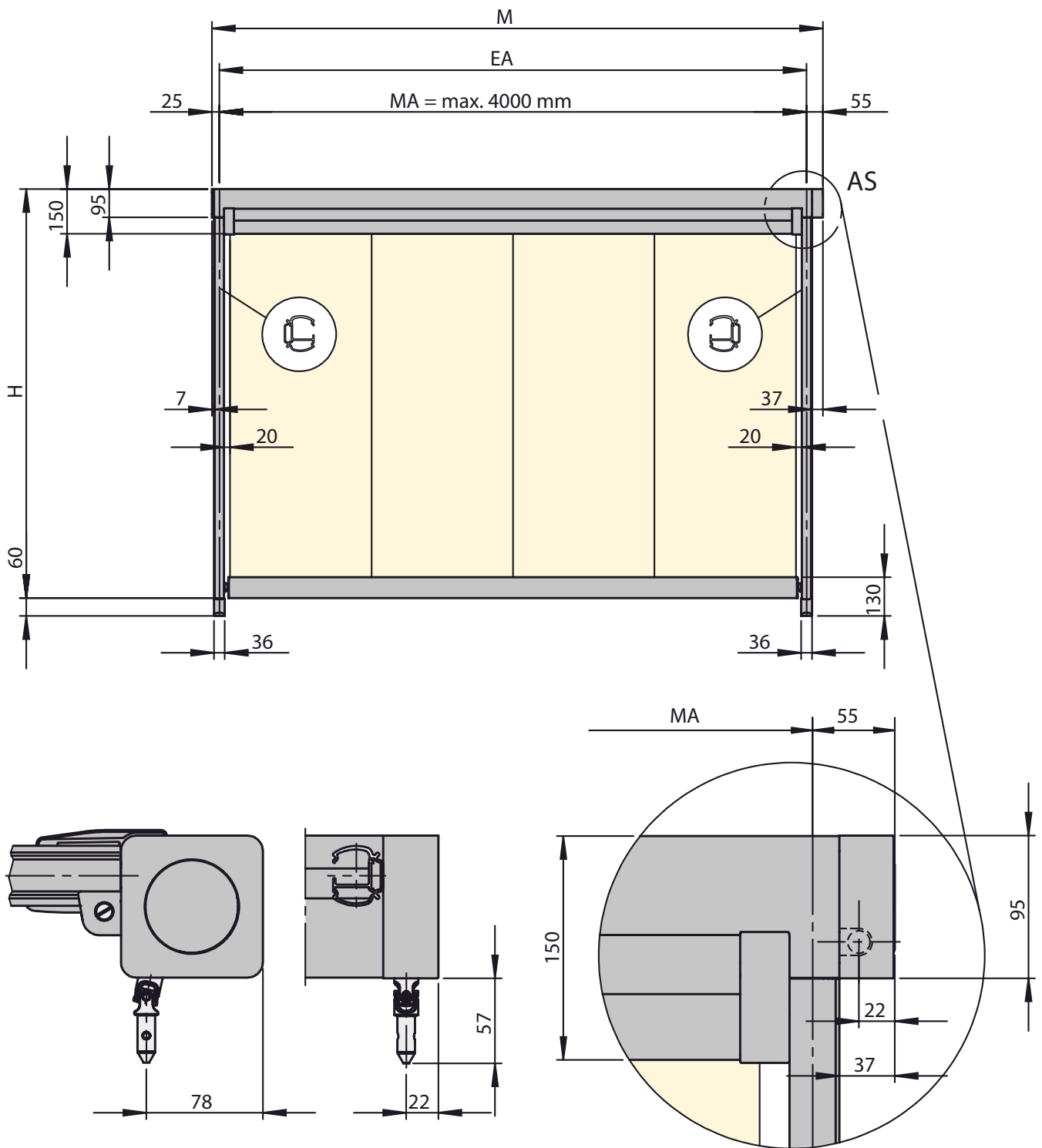
78451. = up to an extension of 3000 mm, 2 per track, from an extension of 3001 mm, 3 per track

78538. = up to an extension of 3000 mm, 2 per track, from an extension of 3001 mm, 3 per track

78539. = up to an extension of 3000 mm, 2 per track, from an extension of 3001 mm, 3 per track

Dimension overview markilux 780

Manual operation



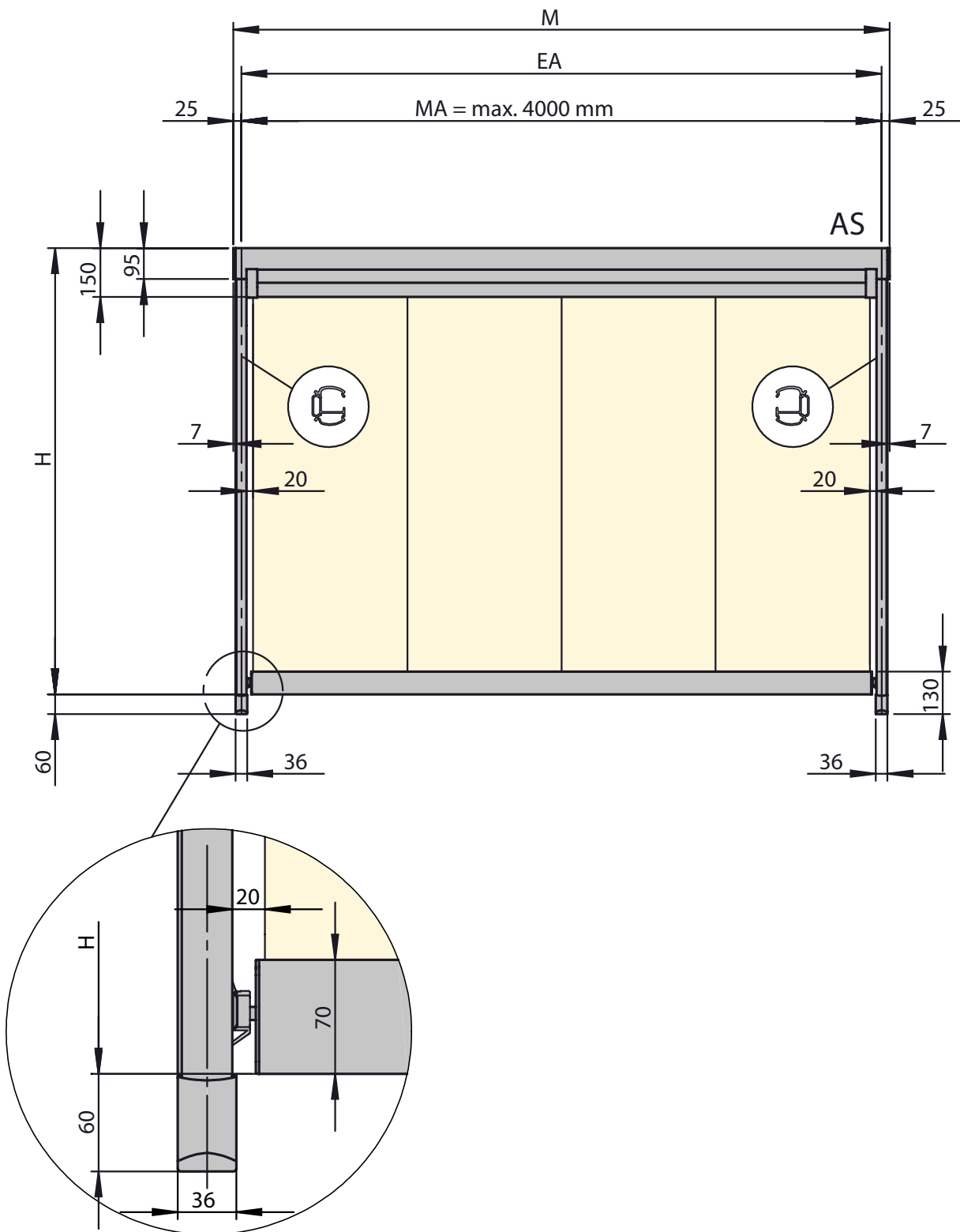
dimensions in mm

- M = overall awning width
- MA = awning fixture width = fixture width = order width
- H = nominal extension = order extension
- EA = single unit
- AS = operation side

- 01
- 02
- 03
- 04
- 05
- 06
- 07
- 08
- 09
- 10
- 11
- 12
- 13
- 14
- 15
- 16
- 17
- 18
- 19
- 20
- 21

Dimension overview markilux 780

Motor operation

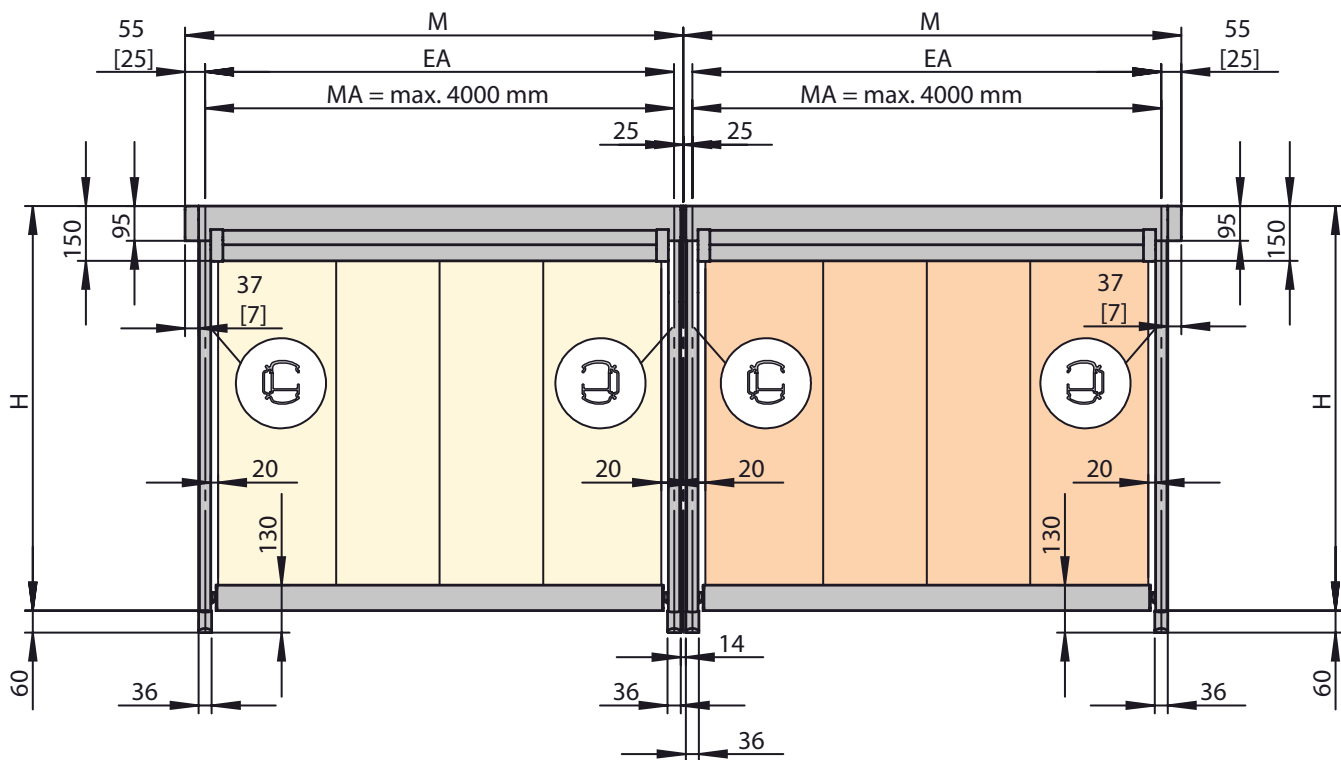


dimensions in mm

- M = overall awning width
- MA = awning fixture width = fixture width = order width
- H = nominal extension = order extension
- EA = single unit
- AS = operation side

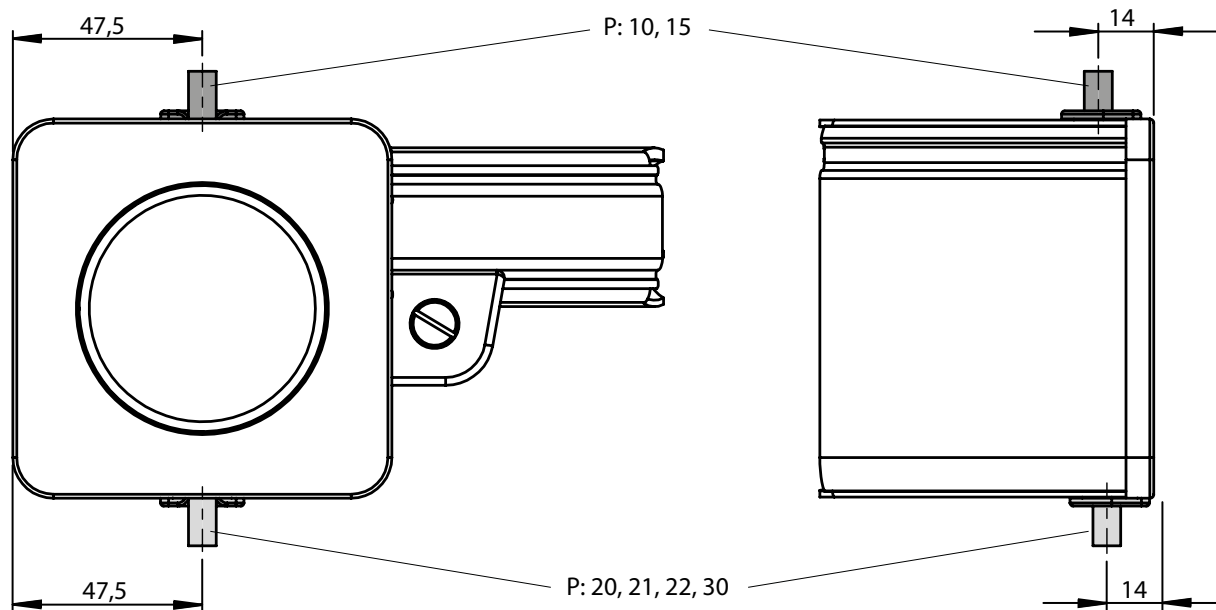
Dimension overview markilux 780

Two single units



dimensions in mm

Cable exit point in the case of motor-driven units

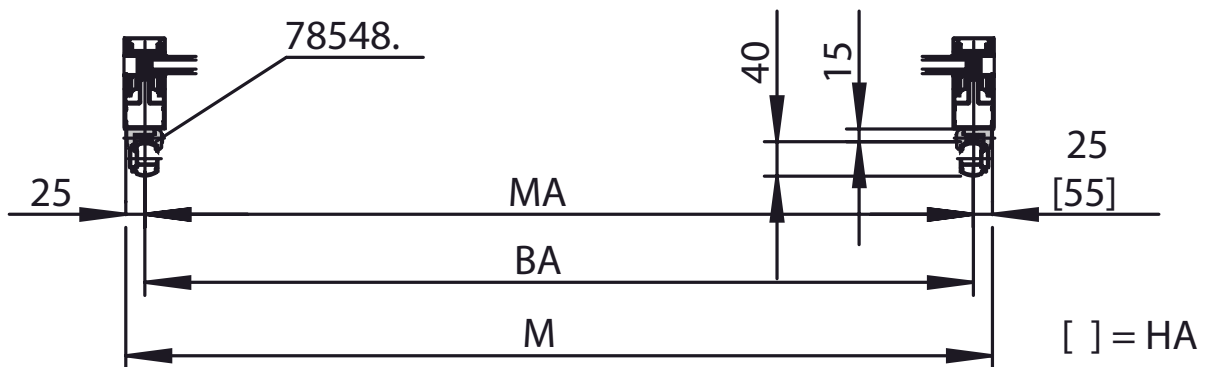
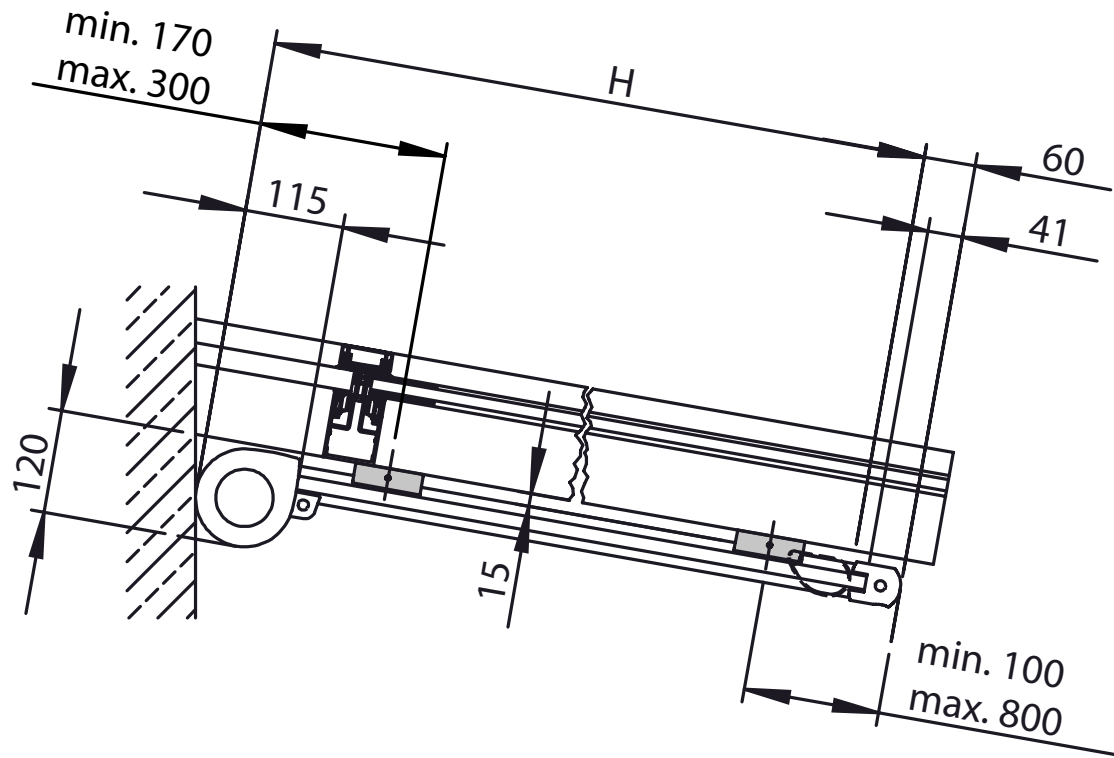


- M = overall awning width
- MA = awning fixture width = fixture width = order width
- H = nominal extension = order extension
- EA = single unit
- [...] = dimensions in the case of motor operation
- P = fixture type

- 01
- 02
- 03
- 04
- 05
- 06
- 07
- 08
- 09
- 10
- 11
- 12
- 13
- 14
- 15
- 16
- 17
- 18
- 19
- 20
- 21

Dimension overview fixture type 10

markilux 880

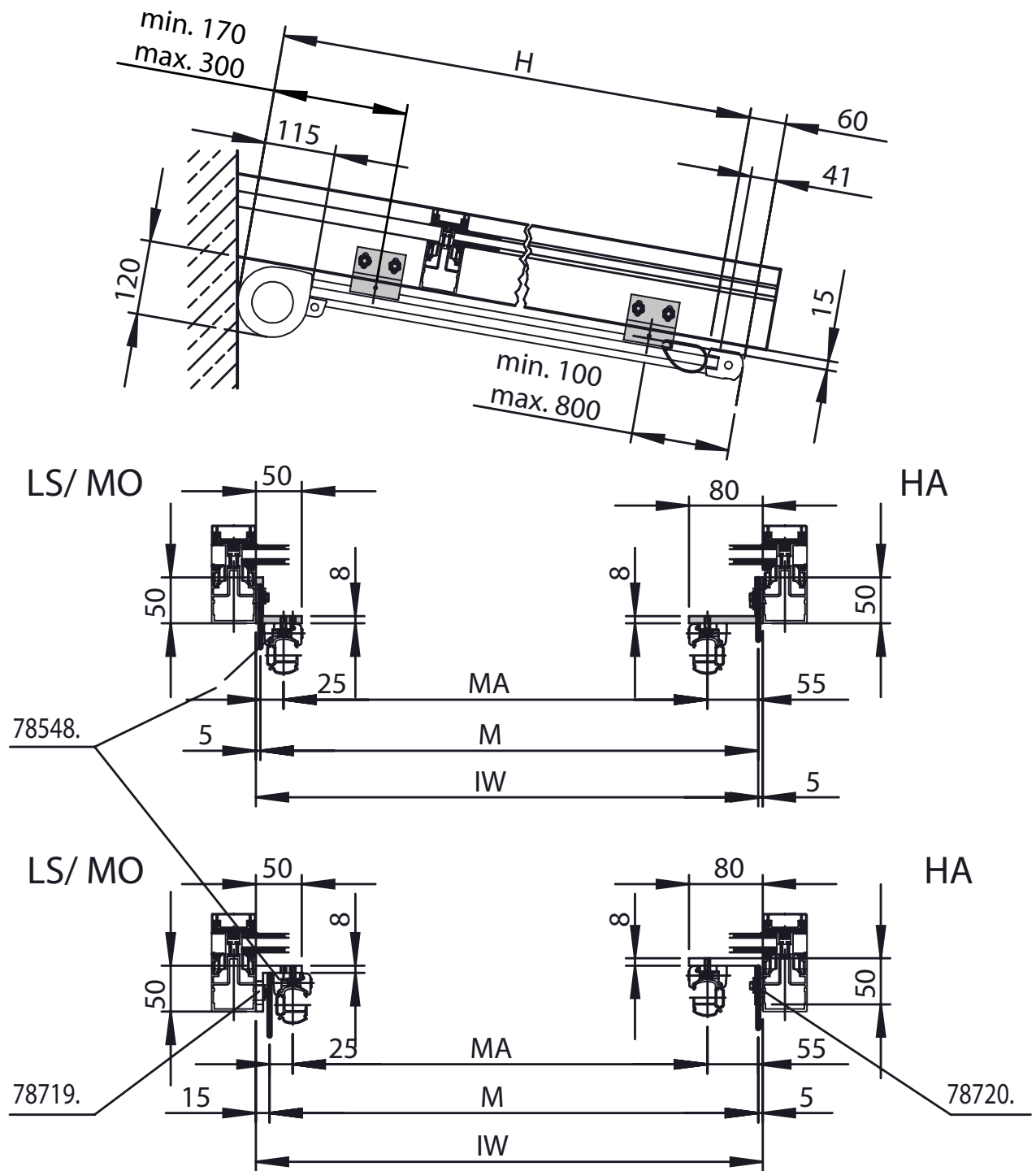


dimensions in mm

- M = overall awning width
- MA = awning fixture width = fixture width = order width
- H = nominal extension = order extension
- BA = width between fixture points
- HA = manual operation
- [...] = dimensions in the case of manual operation
- 78548. = up to an extension of 3000 mm, 2 per track, from an extension of 3001 mm, 3 per track

Dimension overview fixture type 15

markilux 880

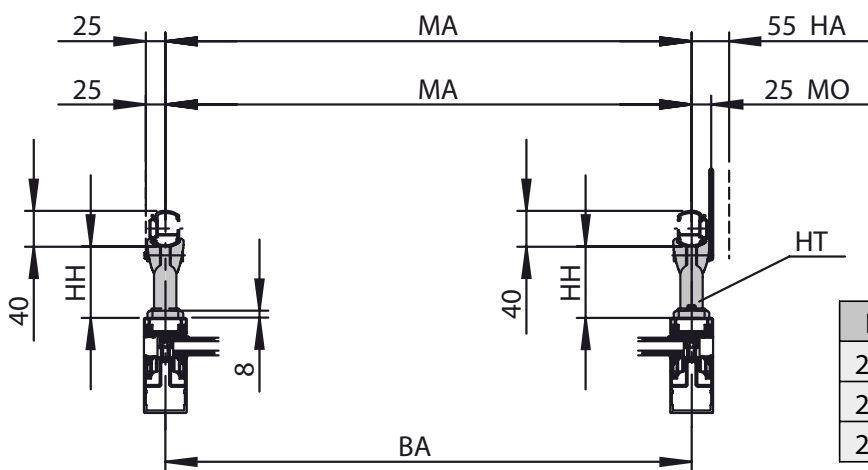
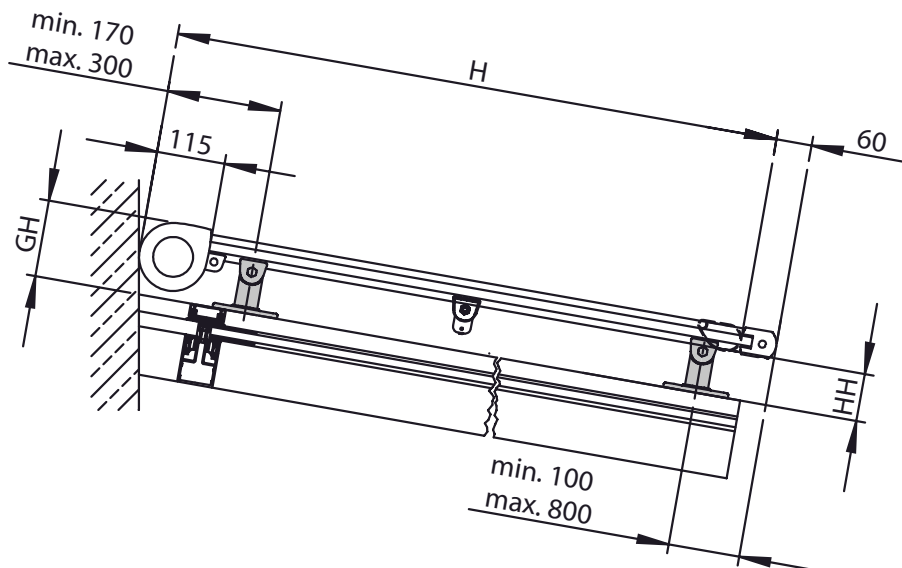


- M = overall awning width
 - MA = awning fixture width = fixture width = order width
 - H = nominal extension = order extension
 - LS = bearing side
 - MO = motor operation
 - HA = manual operation
 - IW = interior conservatory dimension
78548. = up to an extension of 3000 mm, 2 per track, from an extension of 3001 mm, 3 per track
 78719. = angled bracket for bearing / motor side, fixture method 15
 78720. = angled bracket for gearbox side, fixture method 15

01
02
03
04
05
06
07
08
09
10
11
12
13
14
15
16
17
18
19
20
21

Dimension overview fixture types 20, 21 and 22

markilux 880



P	GH	HH	ARH
20	130	80	78451.
21	150	100	78538.
22	190	140	78539.

dimensions in mm

- MA = awning fixture width = fixture width = order width
- H = nominal extension = order extension
- GH = overall height
- HH = fixture bracket height
- HA = manual operation
- MO = motor operation
- HT = bracket
- BA = width between fixture points
- P = fixture type
- ARH = fixture bracket part no.

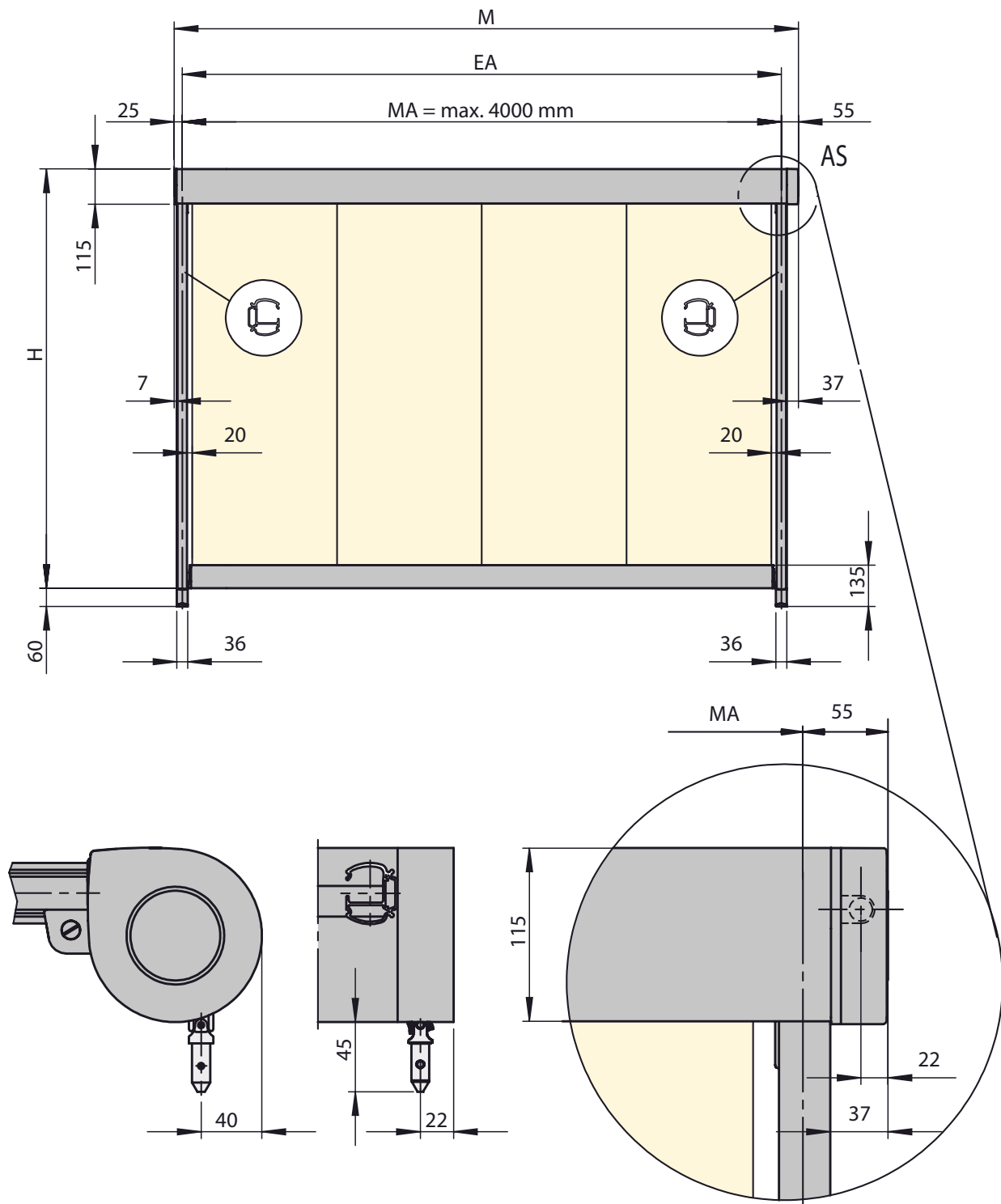
78451. = up to an extension of 3000 mm, 2 per track, from an extension of 3001 mm, 3 per track

78538. = up to an extension of 3000 mm, 2 per track, from an extension of 3001 mm, 3 per track

78539. = up to an extension of 3000 mm, 2 per track, from an extension of 3001 mm, 3 per track

Dimension overview markilux 880

Manual operation



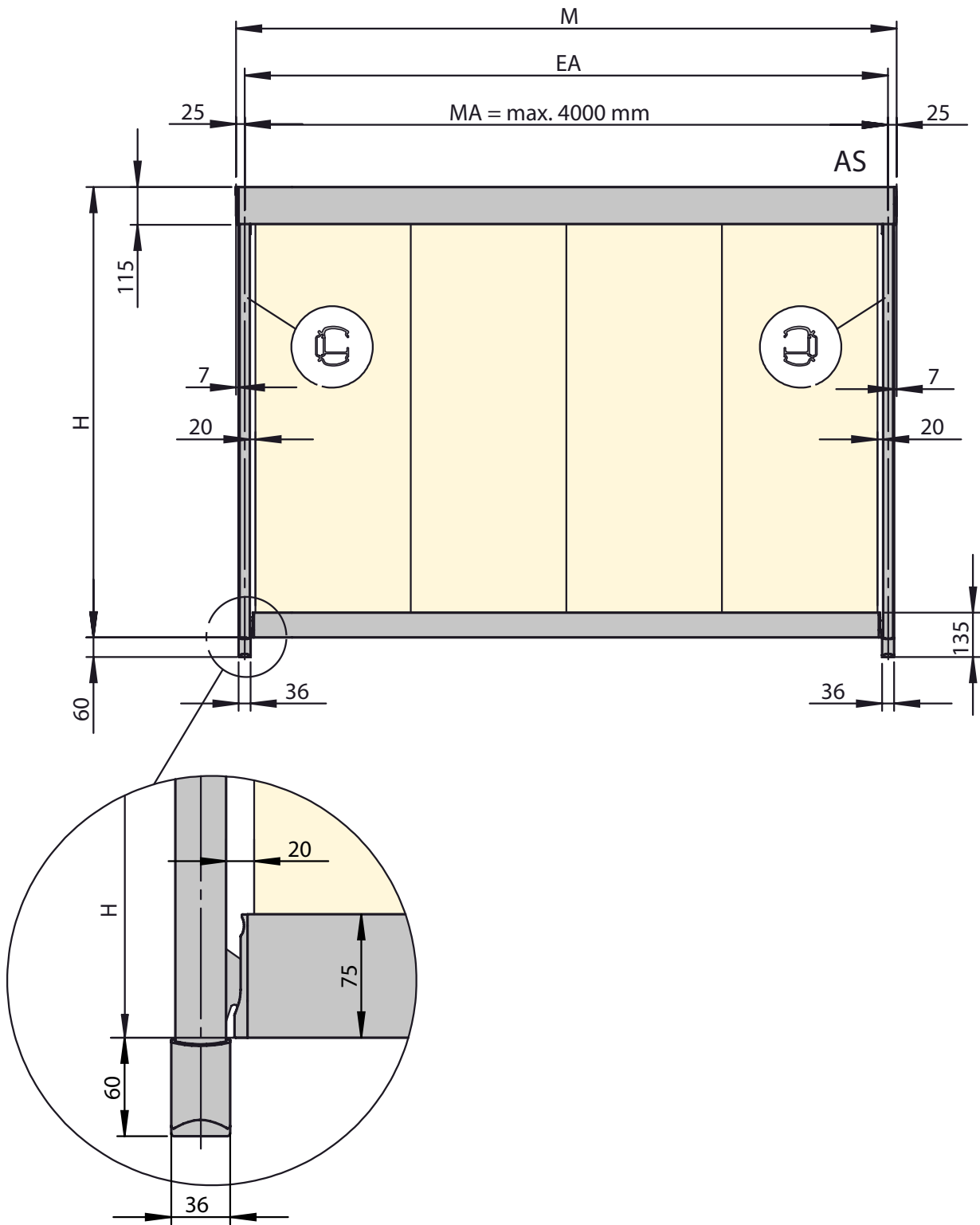
dimensions in mm

- M = overall awning width
- MA = awning fixture width = fixture width = order width
- H = nominal extension = order extension
- EA = single unit
- AS = operation side

- 01
- 02
- 03
- 04
- 05
- 06
- 07
- 08
- 09
- 10
- 11
- 12
- 13
- 14
- 15
- 16
- 17
- 18
- 19
- 20
- 21

Dimension overview markilux 880

Motor operation

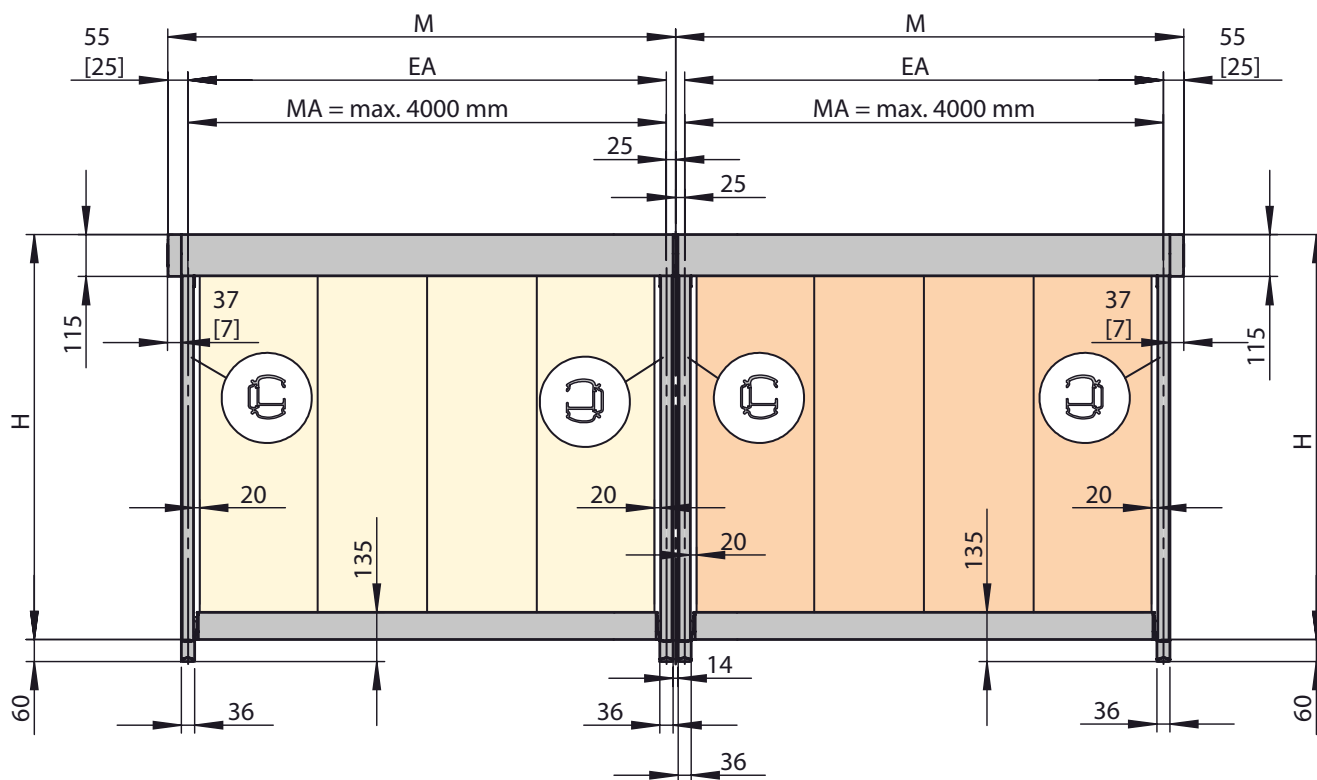


dimensions in mm

- M = overall awning width
- MA = awning fixture width = fixture width = order width
- H = nominal extension = order extension
- EA = single unit
- AS = operation side

Dimension overview markilux 880

Two single units



dimensions in mm

- M = overall awning width
- MA = awning fixture width = fixture width = order width
- H = nominal extension = order extension
- EA = single unit
- [...] = dimensions in the case of motor operation

- 01
- 02
- 03
- 04
- 05
- 06
- 07
- 08
- 09
- 10
- 11
- 12
- 13
- 14
- 15**
- 16
- 17
- 18
- 19
- 20
- 21

