

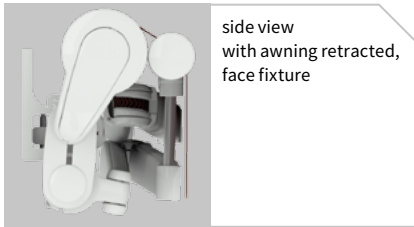


markilux 1700 stretch

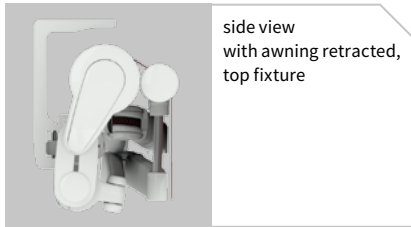
**Striking design, proven technology – the elegant open awning
The perfect solution for narrow patios, niches and balconies**

**rated to wind resistance class 2
(corresponds to Beaufort 5)**

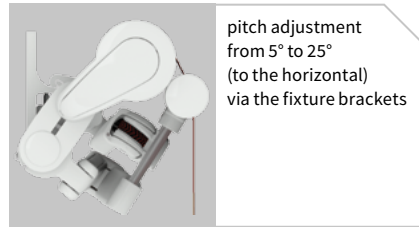




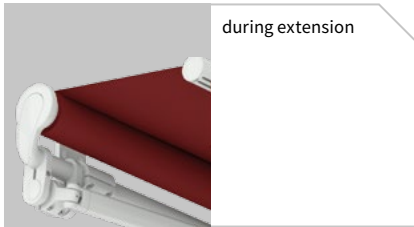
side view with awning retracted, face fixture



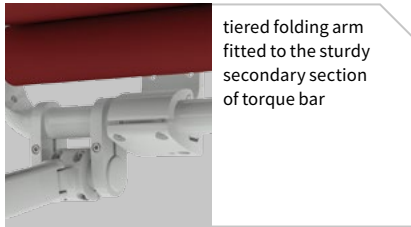
side view with awning retracted, top fixture



pitch adjustment from 5° to 25° (to the horizontal) via the fixture brackets



during extension



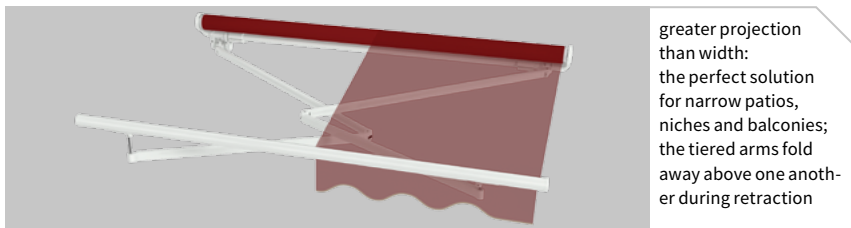
tiered folding arm fitted to the sturdy secondary section of torque bar



markilux 1700 stretch optionally available with system coverboard, as well as the markilux flexlight light rope (please refer to the section "Optional Accessories")



markilux bionic tendon made from high-tech fibres for ideal power transference – as standard



greater projection than width: the perfect solution for narrow patios, niches and balconies; the tiered arms fold away above one another during retraction

Design Features

the classic shape of an open patio awning with a stylish new look

the transition from torque bar to roller tube is curved and homogeneous

side caps available in polished chrome offer an optional designer touch

Technical Specification

thanks to this innovative technical solution – tiered arms – large projections can still be achieved in narrow awnings

attractive front profile made of extruded aluminium with integrated gutter and water drainage spouts

sturdy, round steel torque bar, 50 mm Ø, to prevent twist and deflection

the 85 mm roller tube ensures the highest rigidity and the best possible cover winding characteristics even at the largest widths

unique arm technology with power transference by way of the highly tear-resistant bionic tendon made of high-tech fibres, achieving at least 50,000 cycles in tests by the Fraunhofer Institute

Optional Accessories

hard-wired motor operation (optionally with automatic weather controls) for straightforward and easy operation

radio-controlled motor with handheld remote control for ease of use

in the case of manual operation, ease of use is ensured with the spring-assisted gearbox

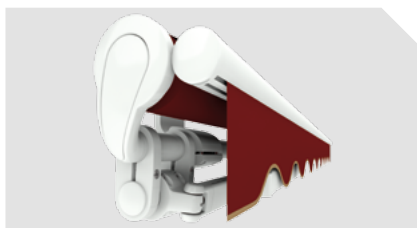
available with the transparent system coverboard

awning available in non-standard RAL colours

Lounge colours / Combinations

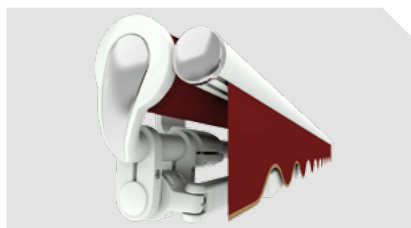
markilux 1700 stretch

traffic white RAL 9016

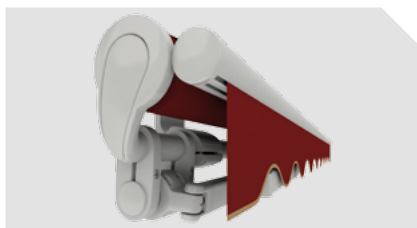


End caps in polished chrome

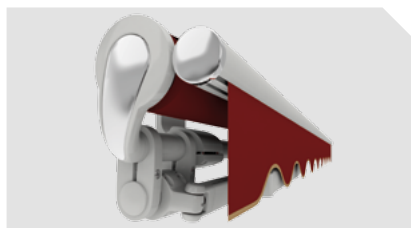
traffic white RAL 9016



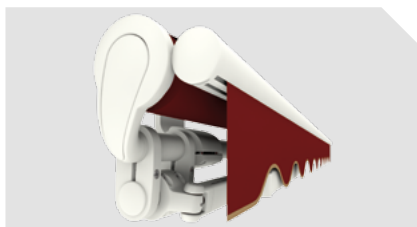
metallic aluminium RAL 9006



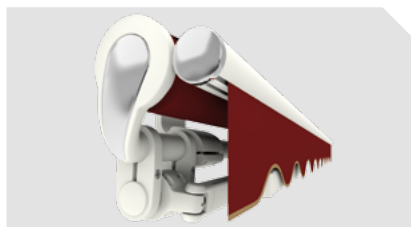
metallic aluminium RAL 9006



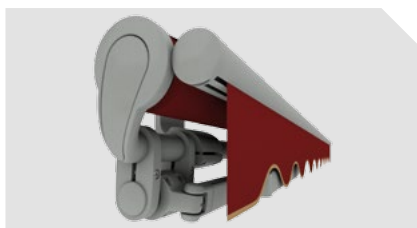
off-white textured finish 5233



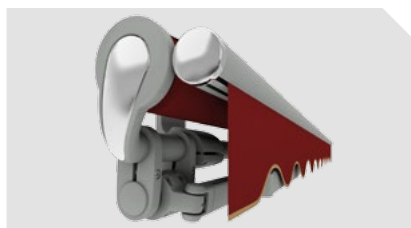
off-white textured finish 5233



stone grey metallic 5215



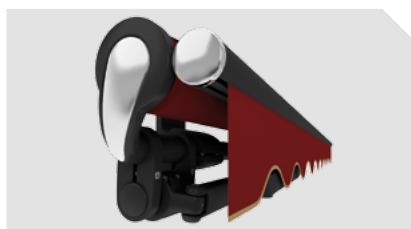
stone grey metallic 5215



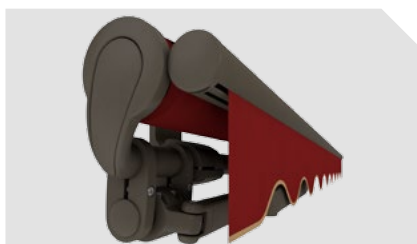
anthracite metallic 5204



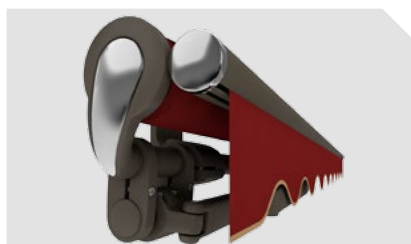
anthracite metallic 5204



Havana brown textured finish* 5229



Havana brown textured finish* 5229

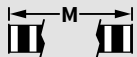
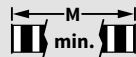









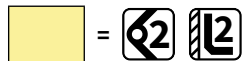
* optional at a surcharge

Colours similar to those in the RAL chart. Colours may differ slightly from those depicted in both hue and finish.

- 01
- 02
- 03
- 04
- 05
- 06
- 07
- 08
- 09
- 10
- 11
- 12
- 13
- 14
- 15
- 16
- 17
- 18
- 19
- 20
- 21
- 22
- 23

Dimensions and configuration options

												
	150	175	200	225	250	300	350	400				
	123 150	151 175	176 200	201 225	226 250	251 300	301 350	351 400				
	150	2)	1)	-	-	-	-	-	130	123	132	125
	200	-	2)		1)	-	-	-	155	148	157	150
	250	-	-	2)		1)	-	-	180	173	182	175
	300	-	-	2)			1)	-	205	198	207	200
	350	-	-	-	2)		1)	1)	230	223	232	225
	400	-	-	-	2)			3)	255	248	257	250



dimensions in cm

- 1) intermediate widths on request
- 2) please note the minimum widths!

3) awnings with 4 m extension are only available with motor (surcharge)



Operation / Drive

	standard	optional
manual operation	<input checked="" type="checkbox"/>	-
servo-assisted operation	-	<input checked="" type="checkbox"/>
hard-wired motor	-	<input checked="" type="checkbox"/>
io radio controls	-	<input checked="" type="checkbox"/>
radio-controlled motor (433 MHz)	-	<input checked="" type="checkbox"/>

Covers

	fabric range no.	standard	optional
sunsilk snc	324 .. / 328 .. / 369 ..	<input checked="" type="checkbox"/>	-
sunsilk perla FR	374 ..	-	<input checked="" type="checkbox"/>
sunvas snc	310 .. / 311 .. 313 .. — 315 ..	<input checked="" type="checkbox"/>	-
sunvas perla	370 ..	-	<input checked="" type="checkbox"/>






Dimensions and tolerances

	width		projection
			
housing tolerances	+5 / -5 mm		±40 mm
awning cover width = awning width	- 100 mm	- 135 mm	
awning cover length = awning projection			+150 mm










Miscellaneous

	standard	optional
bionic tendon	<input checked="" type="checkbox"/>	-
system coverboard	-	<input checked="" type="checkbox"/>
light and wind sensor	-	<input checked="" type="checkbox"/>
insertable side blind	-	<input checked="" type="checkbox"/>
valance	<input checked="" type="checkbox"/> ⁴⁾	-
infrared heater	-	<input checked="" type="checkbox"/>
vibrabox / radio control light sensor Sunis WireFree	-	<input checked="" type="checkbox"/>


4) valance shape 2 (please refer to the section “markilux Collection”)

 = motor	 = manual operation	M = awning width
 = no. of folding arms	 = no. of bespoke arms	M min. = minimum widths
 = no. of brackets		H = projection

Frame colours

		standard	optional
traffic white	RAL 9016		
metallic aluminium	RAL 9006		
grey brown, similar to	RAL 8019		
light ivory	RAL 1015		
anthracite metallic	5204		
stone grey metallic	5215		
off-white textured finish	5233		
Havana brown textured finish	5229		
non-standard powder-coated finish			

Other end cap colour options

	standard	optional
polished chrome		

Additional information

The width of the awning cover is always **less** than that of the awning.

Definition of operation side:

The operation side is given looking at the awning from the outside (right or left).

Pitch adjustment range:

from 5° to 25° (to the horizontal).

Definition of projection:

please refer to the section “Technical Information”.

In the case of manual operation approximately **16 winding handle revolutions can be assumed per metre of awning projection.**

It takes approximately **12 seconds per metre** to extend a **motor-driven awning.**

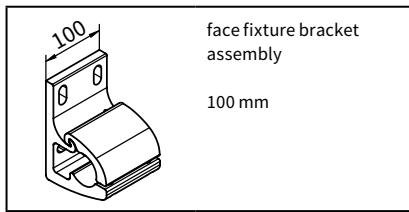
This model is only available as a single unit.

01
02
03
04
05
06
07
08
09
10
11
12
13
14
15
16
17
18
19
20
21
22
23

Colours similar to those in the RAL chart. Colours may differ slightly from those depicted in both hue and finish.

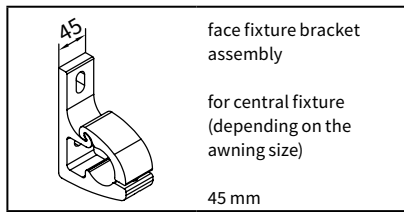
Fixtures, fittings and accessories

Fixture brackets



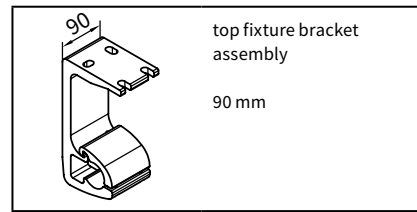
face fixture bracket assembly
100 mm

70867.



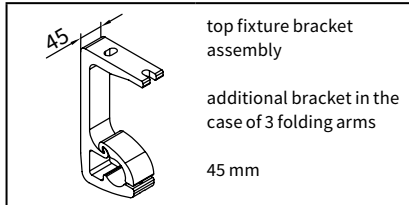
face fixture bracket assembly
for central fixture (depending on the awning size)
45 mm

71813.



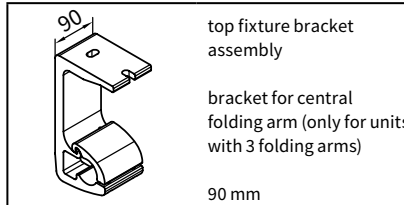
top fixture bracket assembly
90 mm

70868.



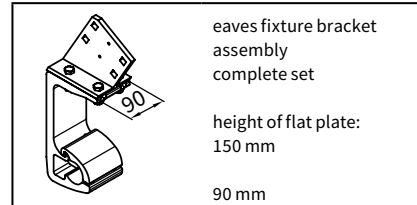
top fixture bracket assembly
additional bracket in the case of 3 folding arms
45 mm

71818.



top fixture bracket assembly
bracket for central folding arm (only for units with 3 folding arms)
90 mm

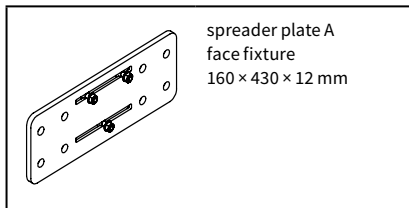
70869.



eaves fixture bracket assembly complete set
height of flat plate: 150 mm
90 mm

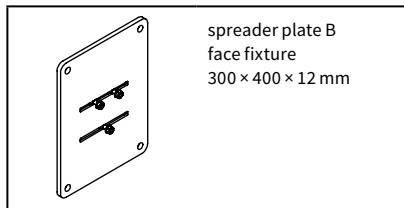
70871.

Spreader and spacer plates



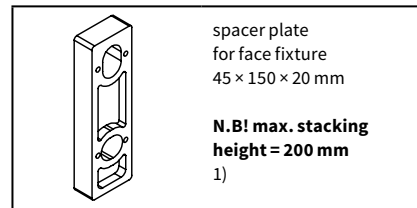
spreader plate A face fixture
160 x 430 x 12 mm

75326.



spreader plate B face fixture
300 x 400 x 12 mm

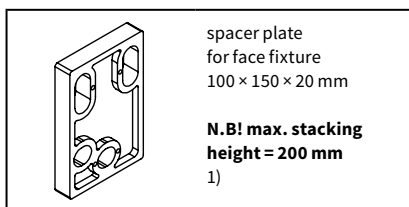
75325.



spacer plate for face fixture
45 x 150 x 20 mm

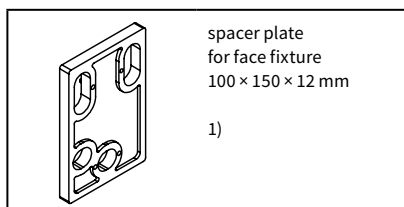
N.B! max. stacking height = 200 mm
1)

718251



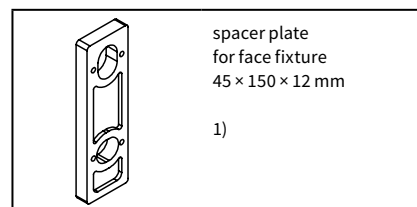
spacer plate for face fixture
100 x 150 x 20 mm
N.B! max. stacking height = 200 mm
1)

718231



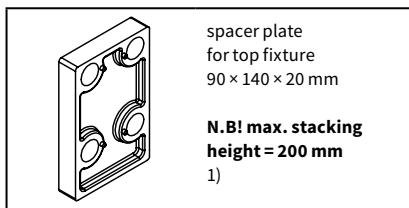
spacer plate for face fixture
100 x 150 x 12 mm
1)

718241



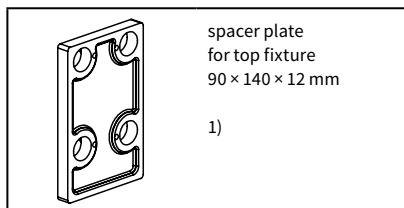
spacer plate for face fixture
45 x 150 x 12 mm
1)

71826.



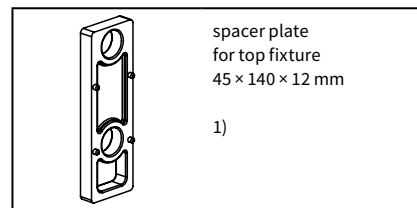
spacer plate for top fixture
90 x 140 x 20 mm
N.B! max. stacking height = 200 mm
1)

716311



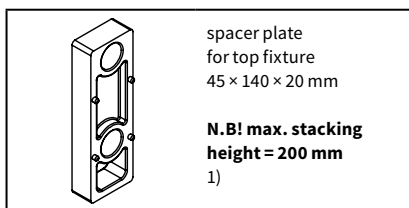
spacer plate for top fixture
90 x 140 x 12 mm
1)

716411



spacer plate for top fixture
45 x 140 x 12 mm
1)

716371



spacer plate for top fixture
45 x 140 x 20 mm
N.B! max. stacking height = 200 mm
1)

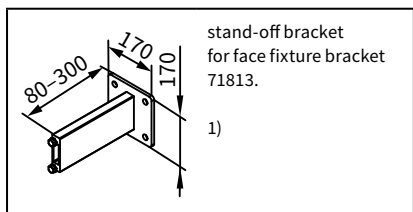
716261

1) please refer to the section "Technical Information"

. = insert RAL colour code no

01
02
03
04
05
06
07
08
09
10
11
12
13
14
15
16
17
18
19
20
21
22
23

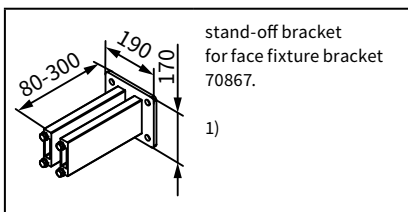
Stand-off brackets



stand-off bracket for face fixture bracket 71813.

1)

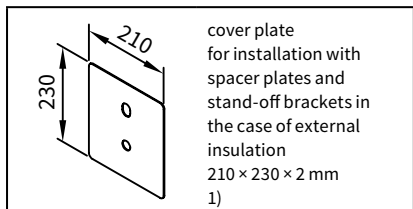
77967.



stand-off bracket for face fixture bracket 70867.

1)

77968.

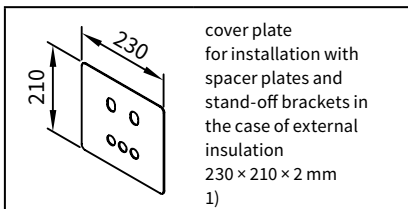


cover plate for installation with spacer plates and stand-off brackets in the case of external insulation

210 × 230 × 2 mm

1)

71844.



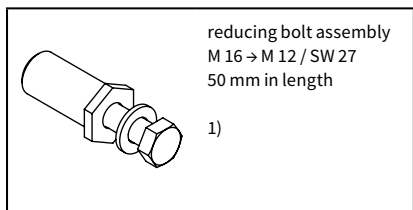
cover plate for installation with spacer plates and stand-off brackets in the case of external insulation

230 × 210 × 2 mm

1)

71843.

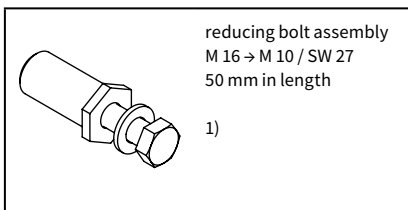
Accessories



reducing bolt assembly M 16 → M 12 / SW 27 50 mm in length

1)

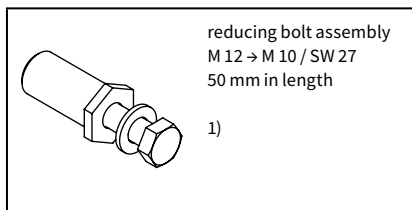
753891



reducing bolt assembly M 16 → M 10 / SW 27 50 mm in length

1)

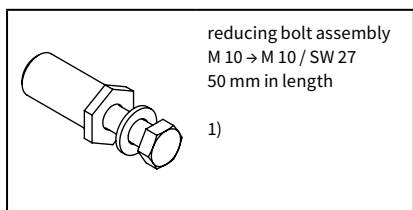
754921



reducing bolt assembly M 12 → M 10 / SW 27 50 mm in length

1)

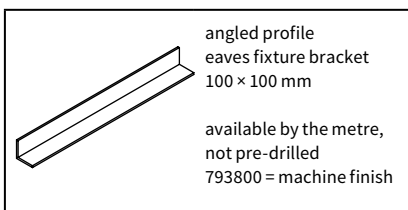
754911



reducing bolt assembly M 10 → M 10 / SW 27 50 mm in length

1)

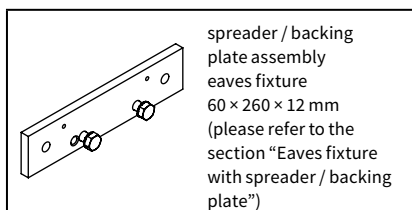
754901



angled profile eaves fixture bracket 100 × 100 mm

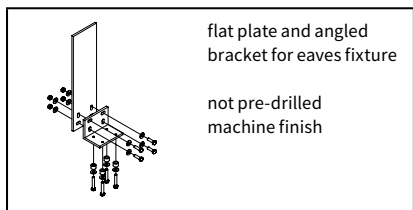
available by the metre, not pre-drilled 793800 = machine finish

79380.



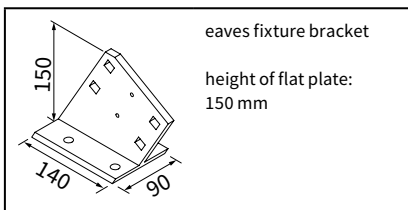
spreader / backing plate assembly eaves fixture 60 × 260 × 12 mm (please refer to the section "Eaves fixture with spreader / backing plate")

75383.



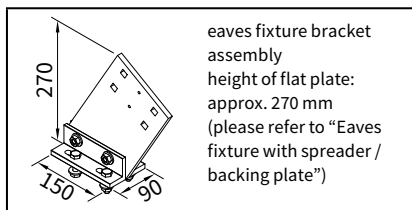
flat plate and angled bracket for eaves fixture not pre-drilled machine finish

716620



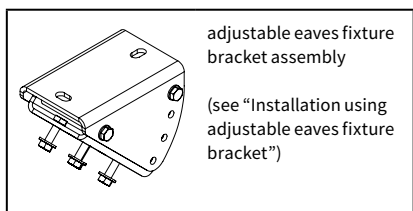
eaves fixture bracket height of flat plate: 150 mm

71612.



eaves fixture bracket assembly height of flat plate: approx. 270 mm (please refer to "Eaves fixture with spreader / backing plate")

71659.



adjustable eaves fixture bracket assembly (see "Installation using adjustable eaves fixture bracket")

71198.

1) please refer to the section "Technical Information"

. = insert RAL colour code no

Face fixture

Pull-out force [N=Newton] per upper fixing point according to EN 13561, wind resistance class 2

Compression-proof substrate
M [cm]

H [cm]	150	175	200	225	250	300	350	400
150	270	297	-	-	-	-	-	-
200	-	504	548	592	-	-	-	-
250	-	-	783	848	912	-	-	-
300	-	-	-	1147	1236	1413	-	-
350	-	-	-	-	1669	1902	2135	-
400	-	-	-	-	2356	2707	3057	3408

Non compression-proof substrate
M [cm]

H [cm]	150	175	200	225	250	300	350	400
150	387	426	-	-	-	-	-	-
200	-	722	785	849	-	-	-	-
250	-	-	1123	1215	1308	-	-	-
300	-	-	-	1644	1771	2025	-	-
350	-	-	-	-	2392	2726	3061	-
400	-	-	-	-	3377	3879	4382	4885

HT BHT	2 100 mm
----------	------------

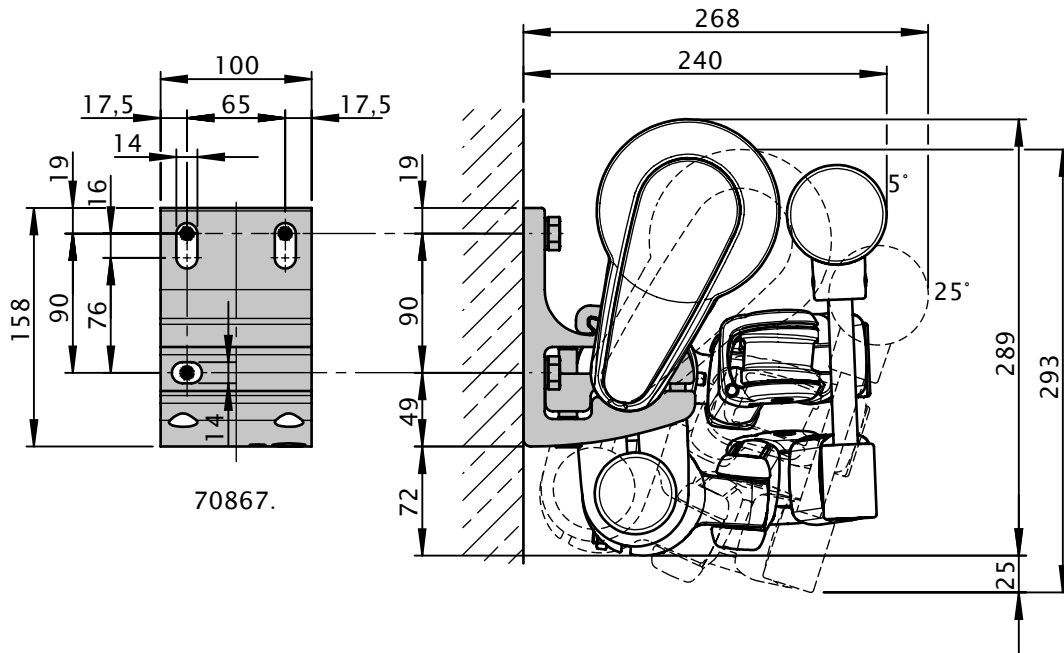
HT BHT	2 100 mm
----------	------------

BM	6
----	---

BM	6
----	---

The pull-out force refers to the vertical centre to centre measurement between the fixture points of **90 mm**. If this measurement is reduced to the minimum, the pull-out force increases by **14%** in the case of **compression-proof substrates** and by **19%** in the case of **non compression-proof substrates**.

- M = awning width
- H = projection
- FB = pull-out force per fixing point
- HT | BHT = bracket quantity | width
- BM = no. of fixing points
- 70867. = face fixture bracket assembly 100 mm



dimensions in mm

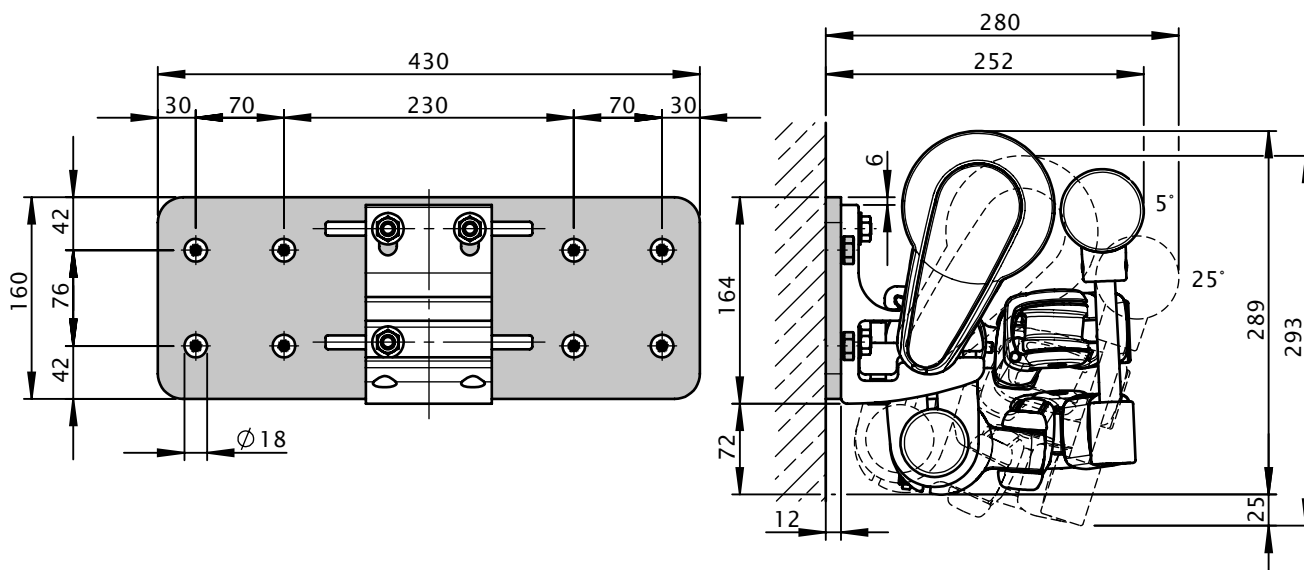
Face fixture with spreader plate A

Pull-out force [N=Newton] per upper fixing point according to EN 13561, wind resistance class 2

Compression-proof substrate									Non compression-proof substrate								
M [cm]									M [cm]								
H [cm]									H [cm]								
FB [N]									FB [N]								
150	175	200	225	250	300	350	400		150	175	200	225	250	300	350	400	
150	179	198	-	-	-	-	-	-	255	281	-	-	-	-	-	-	-
200	-	328	357	386	-	-	-	-	-	466	508	549	-	-	-	-	-
250	-	-	504	546	588	-	-	-	-	-	716	775	835	-	-	-	-
300	-	-	-	731	788	902	-	-	-	-	-	1039	1120	1282	-	-	-
350	-	-	-	-	1056	1204	1353	-	-	-	-	-	1500	1711	1923	-	-
400	-	-	-	-	1485	1707	1930	2153	-	-	-	-	2110	2426	2743	3059	-
HT BHT	2 100 mm								2 100 mm								
BP	2								2								
BM	16								16								

The pull-out force refers to the vertical centre to centre measurement between the fixture points of **76 mm**.
 In the case of spreader plates a washer conforming to DIN 9021 must be used.

- M = awning width
- H = projection
- FB = pull-out force per fixing point
- HT | BHT = bracket quantity | width
- BP = no. of spreader plates
- BM = no. of fixing points
- 751971 = stand-off strip for wall sealing profile



dimensions in mm

01
02
03
04
05
06
07
08
09
10
11
12
13
14
15
16
17
18
19
20
21
22
23

Face fixture with spreader plate B

Pull-out force [N=Newton] per upper fixing point according to EN 13561, wind resistance class 2

Compression-proof substrate
M [cm]

H [cm]	150	175	200	225	250	300	350	400
150	97	106	-	-	-	-	-	-
200	-	180	196	211	-	-	-	-
250	-	-	279	302	325	-	-	-
300	-	-	-	408	440	503	-	-
350	-	-	-	-	593	676	759	-
400	-	-	-	-	837	962	1086	1211

Non compression-proof substrate
M [cm]

H [cm]	150	175	200	225	250	300	350	400
150	101	111	-	-	-	-	-	-
200	-	188	204	220	-	-	-	-
250	-	-	291	315	339	-	-	-
300	-	-	-	426	459	524	-	-
350	-	-	-	-	619	705	792	-
400	-	-	-	-	873	1003	1133	1263

HT BHT	2 100 mm
----------	------------

HT BHT	2 100 mm
----------	------------

BP	2
----	---

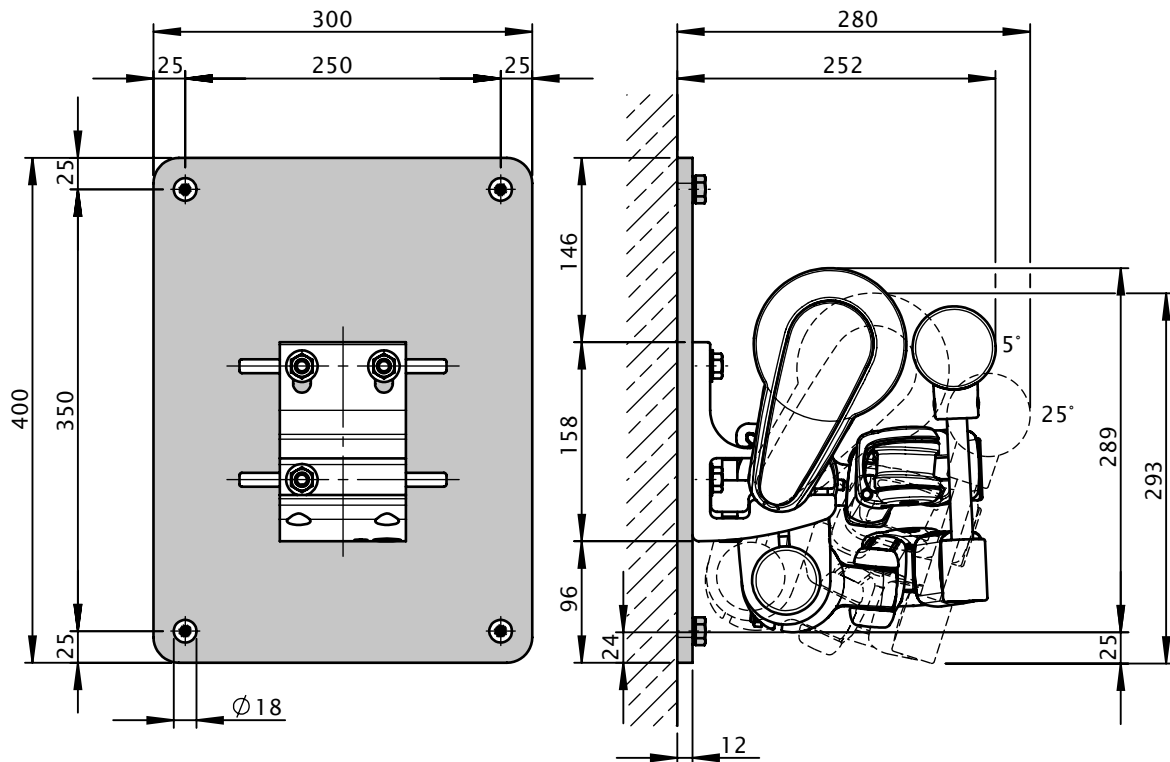
BP	2
----	---

BM	8
----	---

BM	8
----	---

The pull-out force refers to the vertical centre to centre measurement between the fixture points of **350 mm**.
In the case of spreader plates a washer conforming to DIN 9021 must be used.

- M = awning width
- H = projection
- FB = pull-out force per fixing point
- HT | BHT = bracket quantity | width
- BP = no. of spreader plates
- BM = no. of fixing points



dimensions in mm

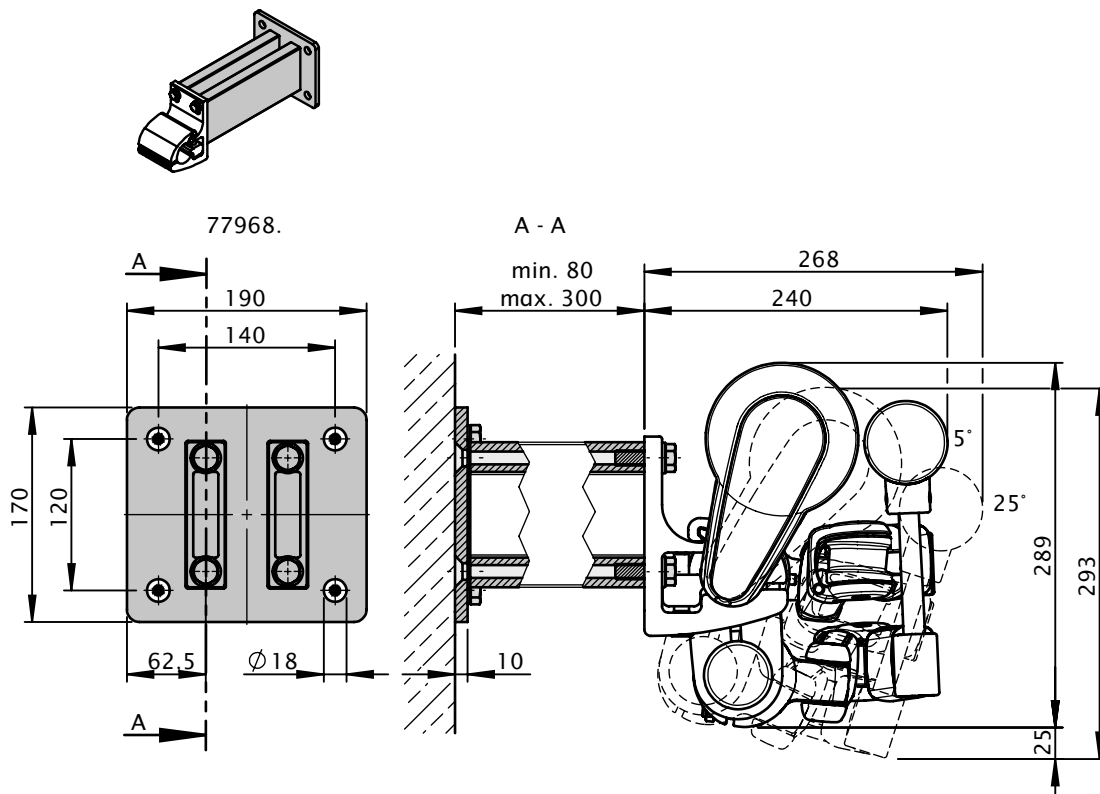
Face fixture with stand-off brackets

Pull-out force [N=Newton] per upper fixing point according to EN 13561, wind resistance class 2

Compression-proof substrate									Non compression-proof substrate								
M [cm]									M [cm]								
150 175 200 225 250 300 350 400									150 175 200 225 250 300 350 400								
H [cm]	FB [N]								FB [N]								
150	342	376	-	-	-	-	-	-	385	423	-	-	-	-	-	-	-
200	-	604	656	709	-	-	-	-	-	680	738	797	-	-	-	-	-
250	-	-	904	978	1052	-	-	-	-	-	1017	1100	1183	-	-	-	-
300	-	-	-	1289	1388	1586	-	-	-	-	-	1450	1562	1785	-	-	-
350	-	-	-	-	1839	2095	2351	-	-	-	-	-	2069	2357	2645	-	-
400	-	-	-	-	2559	2939	3319	3699	-	-	-	-	2878	3306	3734	4161	-
HT BHT	2 100 mm								2 100 mm								
DH 77968.	2								2								
BM	8								8								

The pull-out force refers to the vertical centre to centre measurement between the fixture points of **120 mm**. In the case of stand-off brackets washers conforming to DIN 9021 must be used.

- M = awning width
- H = projection
- FB = pull-out force per fixing point
- HT | BHT = bracket quantity | width
- BM = no. of fixing points
- DH = no. of stand-off brackets
- 77968. = stand-off bracket for face fixture bracket assembly 70867.



dimensions in mm

01
02
03
04
05
06
07
08
09
10
11
12
13
14
15
16
17
18
19
20
21
22
23

Top fixture

Pull-out force [N=Newton] per upper fixing point according to EN 13561, wind resistance class 2

Compression-proof substrate
M [cm]

	150	175	200	225	250	300	350	400
H [cm]	FB [N]							
150	345	383	-	-	-	-	-	-
200	-	619	675	732	-	-	-	-
250	-	-	944	1024	1104	-	-	-
300	-	-	-	1366	1473	1688	-	-
350	-	-	-	-	1968	2246	2525	-
400	-	-	-	-	2752	3165	3578	3991

Non compression-proof substrate
M [cm]

	150	175	200	225	250	300	350	400
H [cm]	FB [N]							
150	472	523	-	-	-	-	-	-
200	-	856	934	1011	-	-	-	-
250	-	-	1313	1423	1533	-	-	-
300	-	-	-	1906	2055	2354	-	-
350	-	-	-	-	2753	3142	3531	-
400	-	-	-	-	3861	4439	5018	5596

HT BHT	2 90 mm
----------	-----------

HT BHT	2 90 mm
----------	-----------

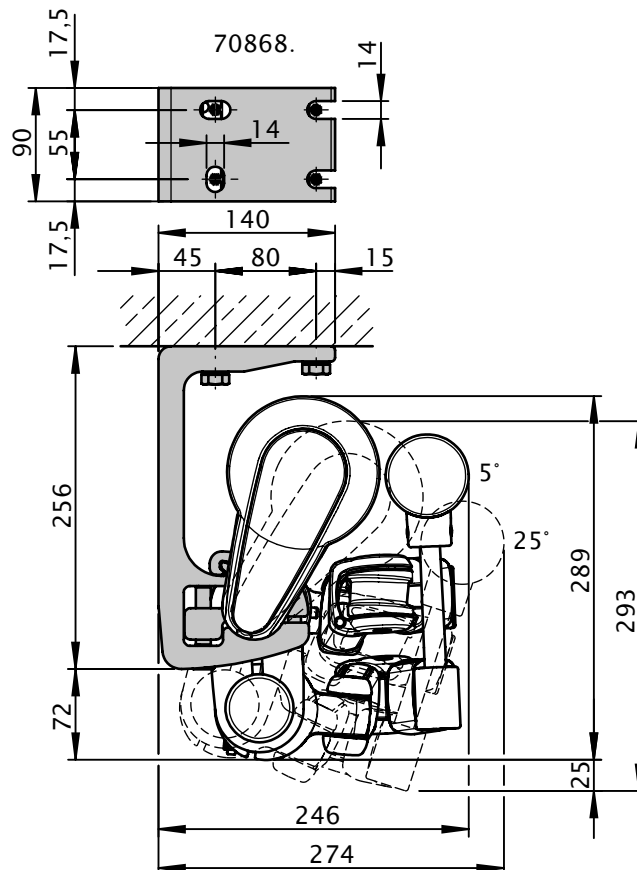
BM	8
----	---

BM	8
----	---

The pull-out force refers to the vertical centre to centre measurement between the fixture points of **80 mm**. If the awning is fitted with two brackets per folding arm the pull-out force may be halved.

Place the brackets immediately to the left and right of the arm bearer.

- M = awning width
- H = projection
- FB = pull-out force per fixing point
- HT | BHT = bracket quantity | width
- BM = no. of fixing points
- 70868. = top fixture bracket assembly 90 mm



dimensions in mm

Eaves fixture

Torque [Nm = Newton metres] for the fixture bracket next to the arm, shear force [N = Newton] per fixing point according to EN 13561, wind resistance class 2

H [cm]	Torque M [cm]								Shear force M [cm]							
	150	175	200	225	250	300	350	400	150	175	200	225	250	300	350	400
	Md [Nm]								FS [N]							
150	70	77	-	-	-	-	-	-	848	939	-	-	-	-	-	-
200	-	130	141	153	-	-	-	-	-	1532	1671	1810	-	-	-	-
250	-	-	202	219	235	-	-	-	-	-	2345	2543	2740	-	-	-
300	-	-	-	296	319	365	-	-	-	-	-	3401	3667	4201	-	-
350	-	-	-	-	431	491	551	-	-	-	-	-	4909	5603	6296	-
400	-	-	-	-	608	698	789	879	-	-	-	-	6878	7909	8940	9970
HT	2								2							
BM	8								8							

The shear force is calculated on the basis of 2 fixing points per bracket, because – depending on the roof pitch – it cannot be guaranteed that 4 fixing points per bracket can be used.

M = awning width

H = projection

Md = torque value for the bracket in the immediate vicinity of the arm

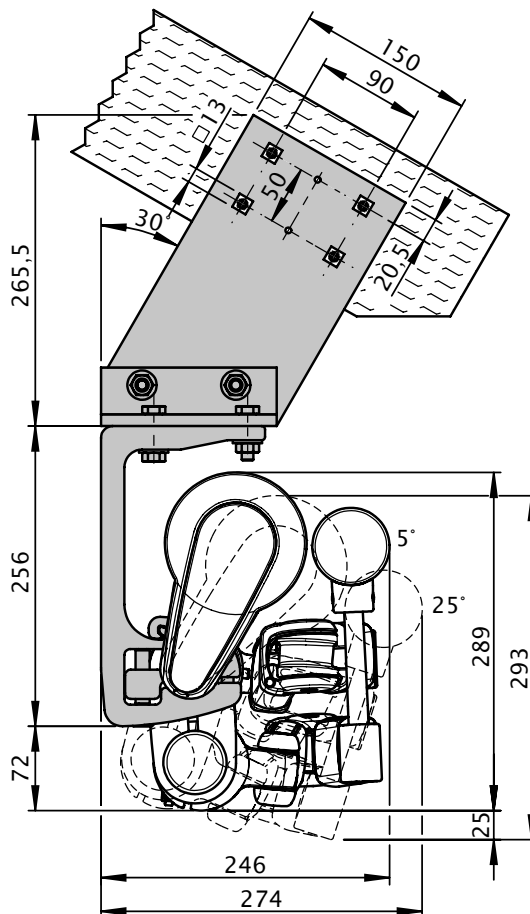
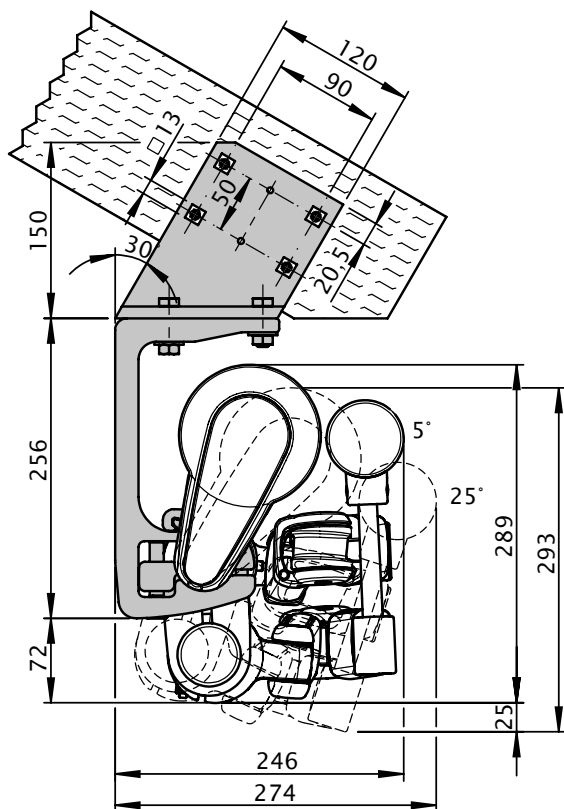
HT = no. of brackets

FS = shear force

BM = no. of fixing points

with eaves fixture bracket 150 mm

with eaves fixture bracket 270 mm



dimensions in mm

01
02
03
04
05
06
07
08
09
10
11
12
13
14
15
16
17
18
19
20
21
22
23

Eaves fixture with additional plate

Torque [Nm = Newton metres] for the fixture bracket in the immediate vicinity of the arm, shear force [N = Newton] per fixing point according to EN 13561, wind resistance class 2

H [cm]	Torque M [cm]								Shear force M [cm]							
	150	175	200	225	250	300	350	400	150	175	200	225	250	300	350	400
	Md [Nm]								FS [N]							
150	70	77	-	-	-	-	-	-	423	471	-	-	-	-	-	-
200	-	130	141	153	-	-	-	-	-	737	807	876	-	-	-	-
250	-	-	202	219	235	-	-	-	-	-	1110	1206	1302	-	-	-
300	-	-	-	296	319	365	-	-	-	-	-	1592	1719	1973	-	-
350	-	-	-	-	431	491	551	-	-	-	-	-	2278	2604	2930	-
400	-	-	-	-	608	698	789	879	-	-	-	-	3164	3641	4119	4597
HT	2								2							
BM	4								4							

By using the additional flat fixture plate, the shear force is reduced in comparison with conventional eaves fixture.

M = awning width

H = projection

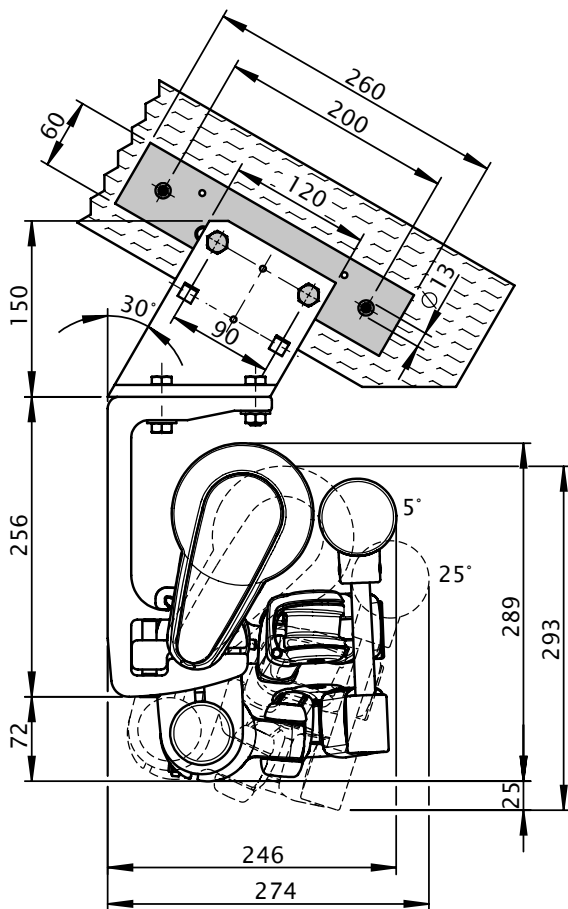
Md = torque value for the bracket in the immediate vicinity of the arm

HT = no. of brackets

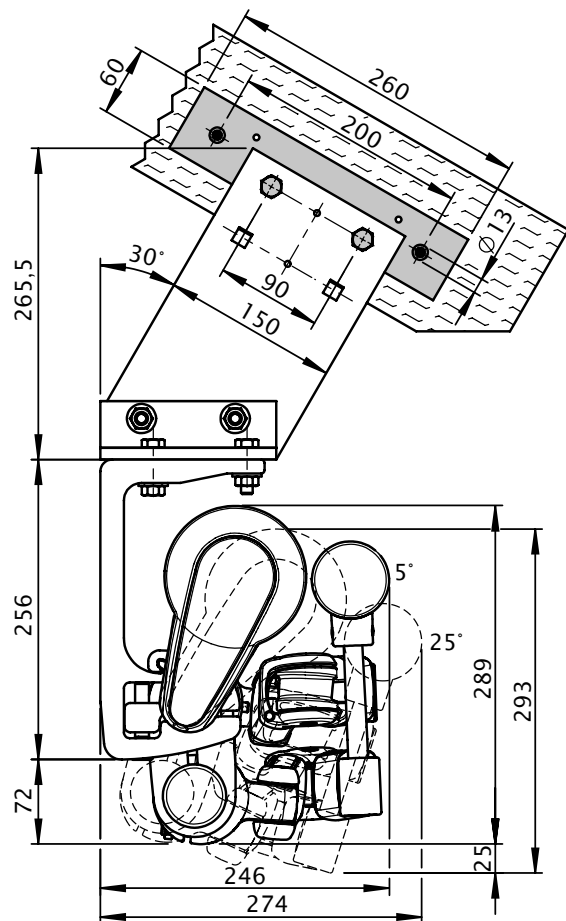
FS = shear force

BM = no. of fixing points

with eaves fixture bracket 150 mm



with eaves fixture bracket 270 mm



dimensions in mm

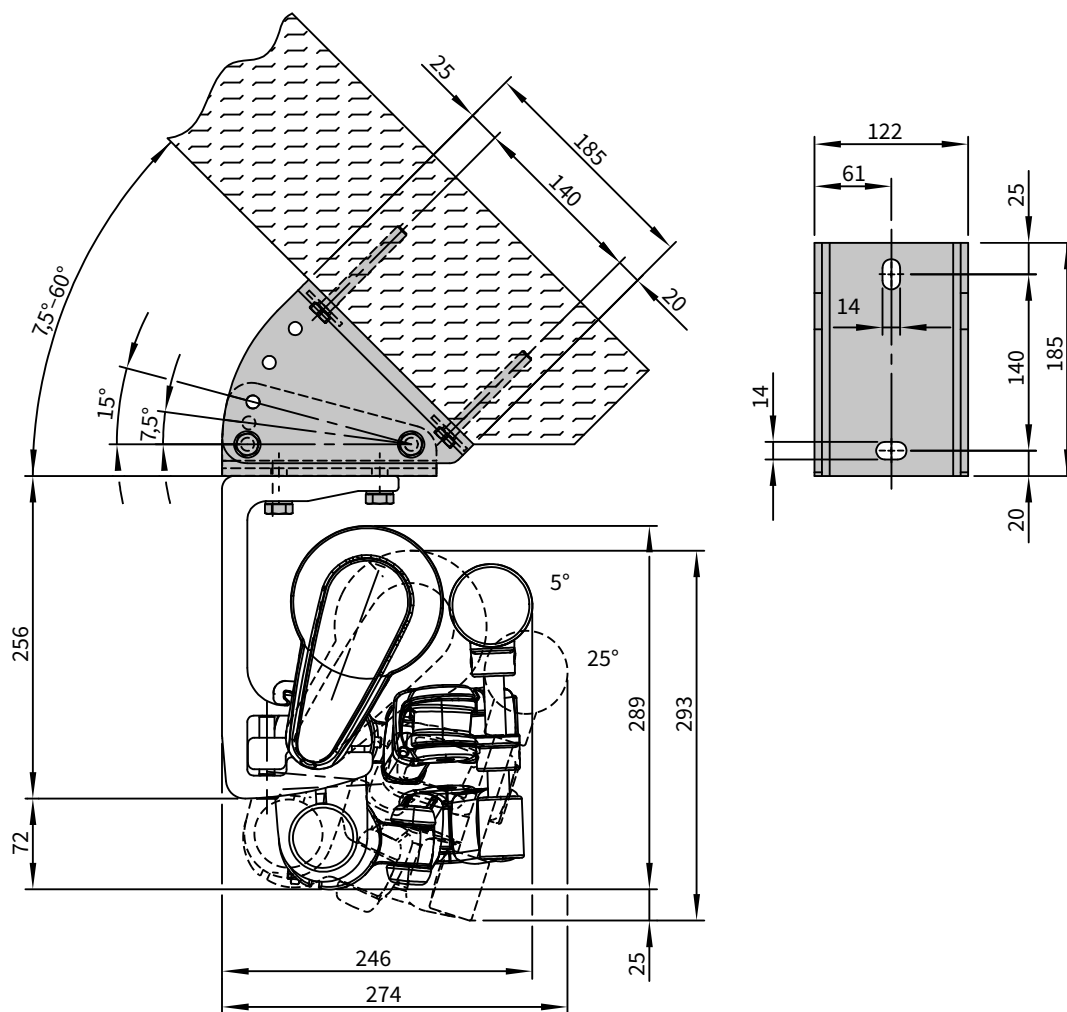
Installation using the adjustable eaves fixture bracket

Pull-out force [N=Newton] per upper fixing point according to EN 13561, wind resistance class 2

Compression-proof substrate									Non compression-proof substrate								
M [cm]									M [cm]								
H [cm]									H [cm]								
FB [N]									FB [N]								
150	175	200	225	250	300	350	400		150	175	200	225	250	300	350	400	
150	555	616	-	-	-	-	-	-	150	572	635	-	-	-	-	-	-
200	-	984	1075	1166	-	-	-	-	200	-	1016	1110	1204	-	-	-	-
250	-	-	1493	1621	1748	-	-	-	250	-	-	1543	1675	1806	-	-	-
300	-	-	-	2153	2324	2664	-	-	300	-	-	-	2226	2402	2754	-	-
350	-	-	-	-	3094	3534	3974	-	350	-	-	-	-	3200	3655	4110	-
400	-	-	-	-	4317	4966	5615	6264	400	-	-	-	-	4466	5138	5809	6481
HT BHT									HT BHT								
2 90 mm									2 90 mm								
BM									BM								
8									8								

The pull-out force refers to the measurement from the front to the rear fixture points of **140 mm**. Washers conforming to DIN 9021 must be used.

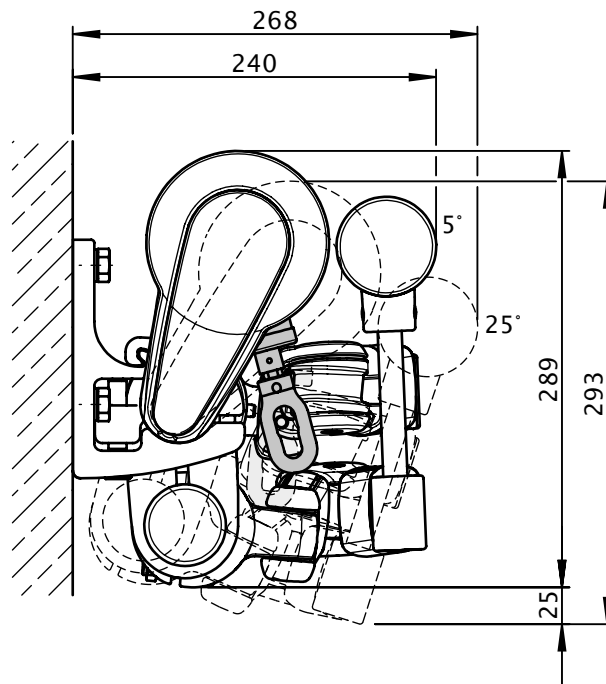
- M = awning width
- H = projection
- FB = pull-out force per fixing point
- HT | BHT = bracket quantity | width
- BM = no. of fixing points



dimensions in mm

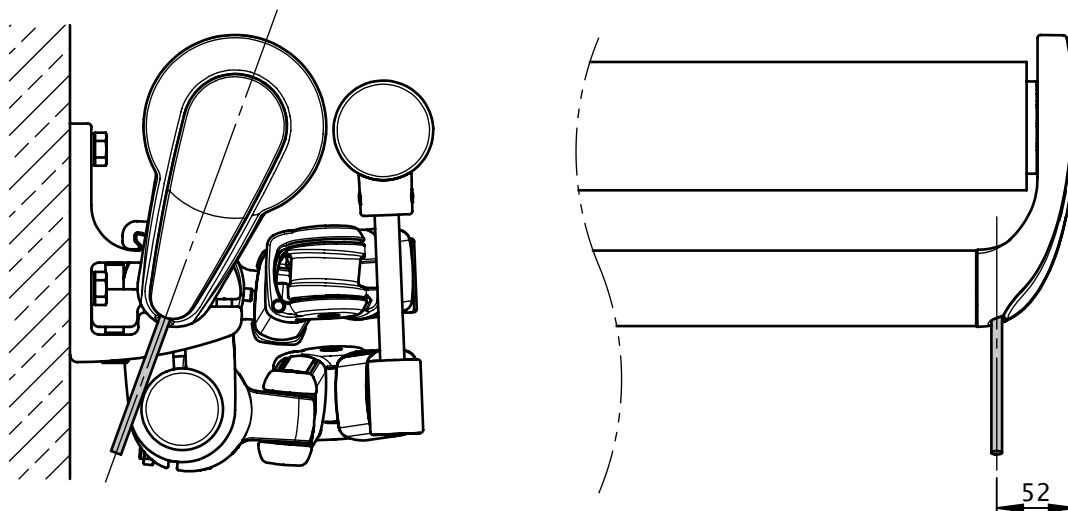
01
02
03
04
05
06
07
08
09
10
11
12
13
14
15
16
17
18
19
20
21
22
23

Face fixture with manual operation



dimensions in mm

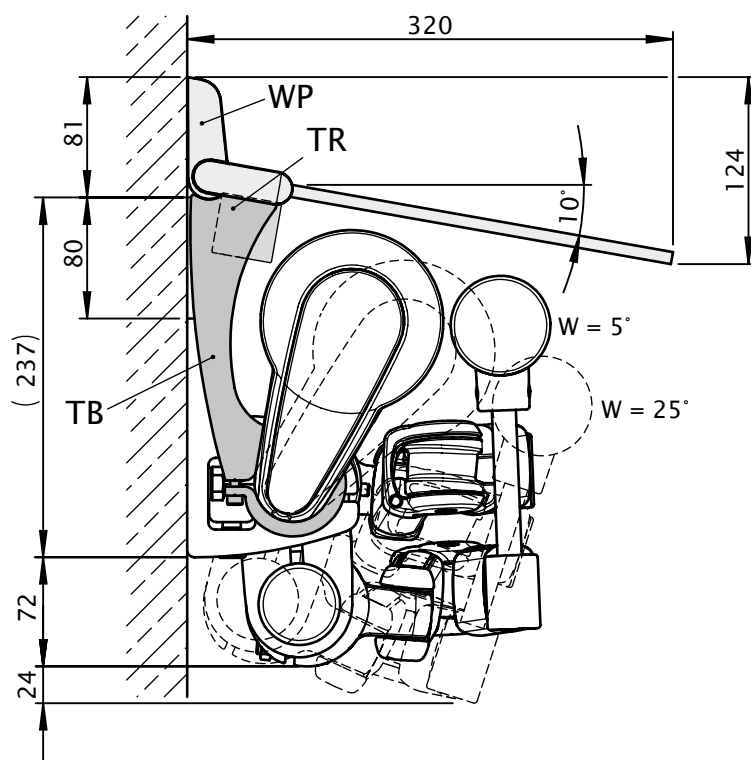
Cable exit point on motor-driven units



dimensions in mm

markilux system coverboard affixed to the torque bar (optionally with the markilux flexlight)

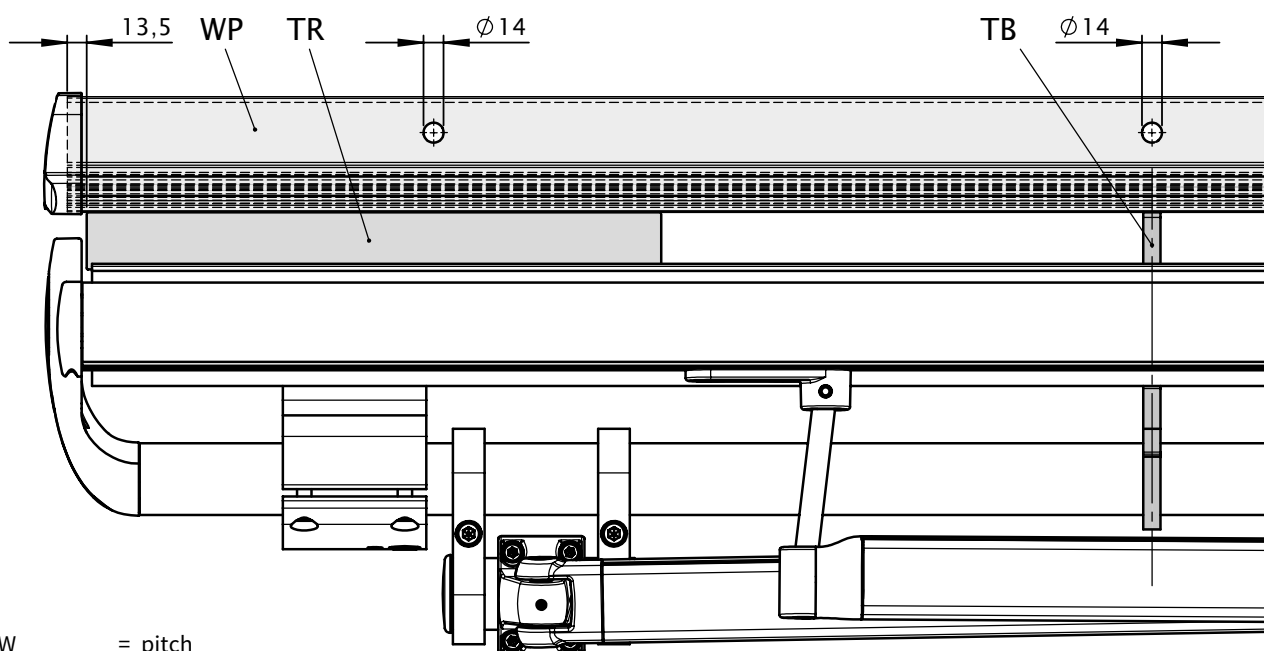
Face fixture



dimensions in mm

View from the front

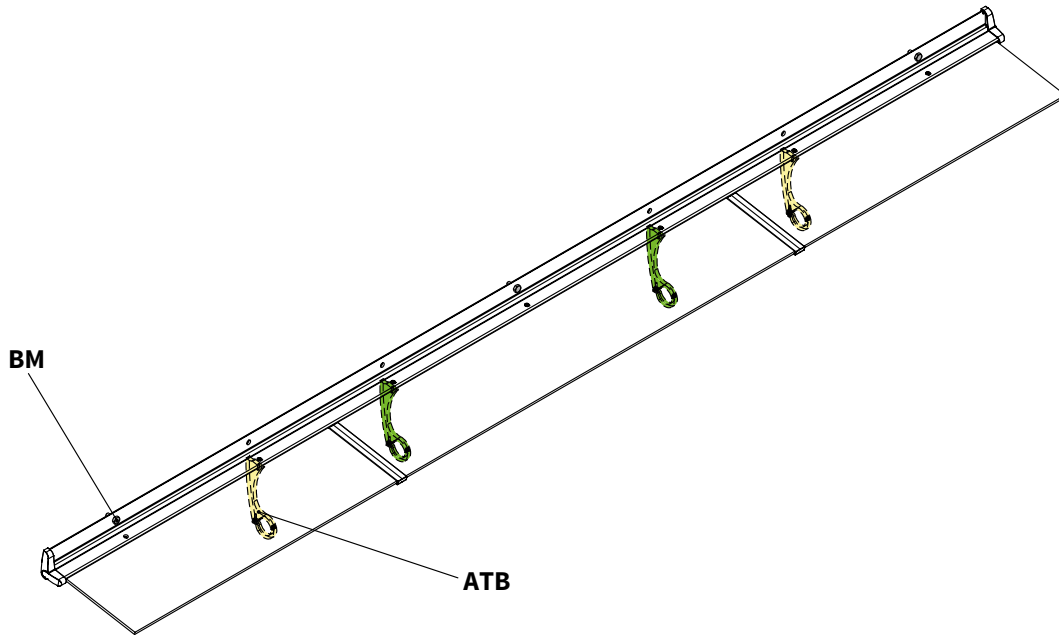
optionally with markilux flexlight light rope (please refer to the section "Optional Accessories")



- W = pitch
- WP = wall profile
- TR = transformer (for the markilux flexlight)
- TB = torque bar fixture

dimensions in mm

No. of fixing points for the markilux system coverboard



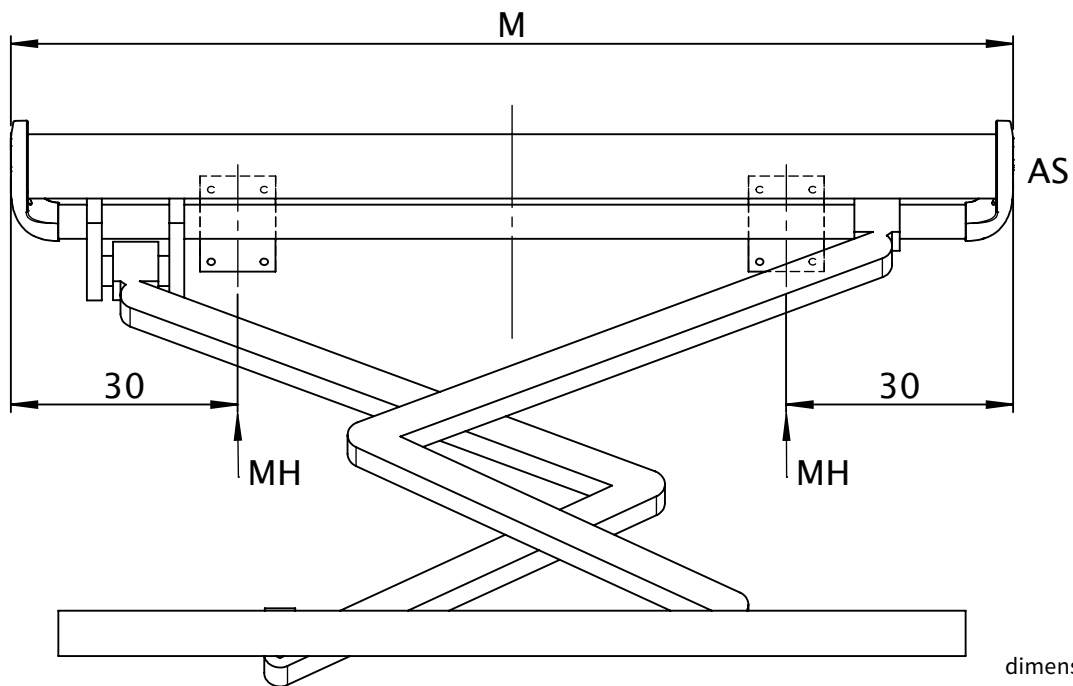
	M						
	1537—1750	1751—2000	2037—2250	2251—2500	2537—3000	3037—3500	3537—4000
ATB	2	2	2	2	2	2	2
BM	2	2	3	3	4	3	4

ATB = no. of torque bar fixing points for the system coverboard

BM = no. of fixing points, face fixture

M = awning width

Bracket fixture range for awnings with 2 folding arms



dimensions in cm

If the brackets cannot be positioned in accordance with this table, make sure the actual measurements are noted on the order form!

AS = operation side

M = awning width

MH = bracket centre